



Chipsmall Limited consists of a professional team with an average of over 10 year of expertise in the distribution of electronic components. Based in Hongkong, we have already established firm and mutual-benefit business relationships with customers from,Europe,America and south Asia,supplying obsolete and hard-to-find components to meet their specific needs.

With the principle of “Quality Parts,Customers Priority,Honest Operation,and Considerate Service”,our business mainly focus on the distribution of electronic components. Line cards we deal with include Microchip,ALPS,ROHM,Xilinx,Pulse,ON,Everlight and Freescale. Main products comprise IC,Modules,Potentiometer,IC Socket,Relay,Connector.Our parts cover such applications as commercial,industrial, and automotives areas.

We are looking forward to setting up business relationship with you and hope to provide you with the best service and solution. Let us make a better world for our industry!



## Contact us

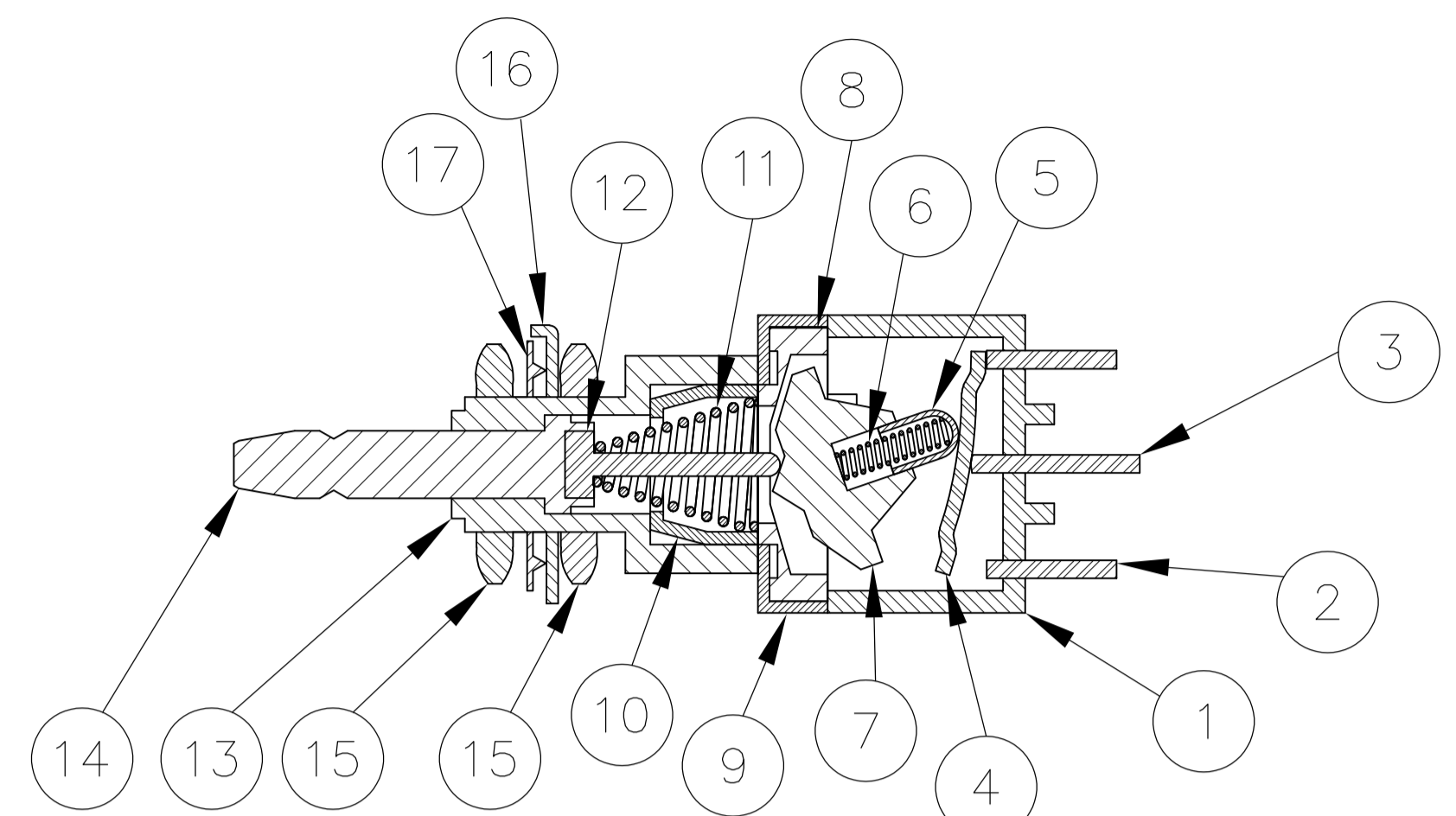
Tel: +86-755-8981 8866 Fax: +86-755-8427 6832

Email & Skype: info@chipsmall.com Web: www.chipsmall.com

Address: A1208, Overseas Decoration Building, #122 Zhenhua RD., Futian, Shenzhen, China

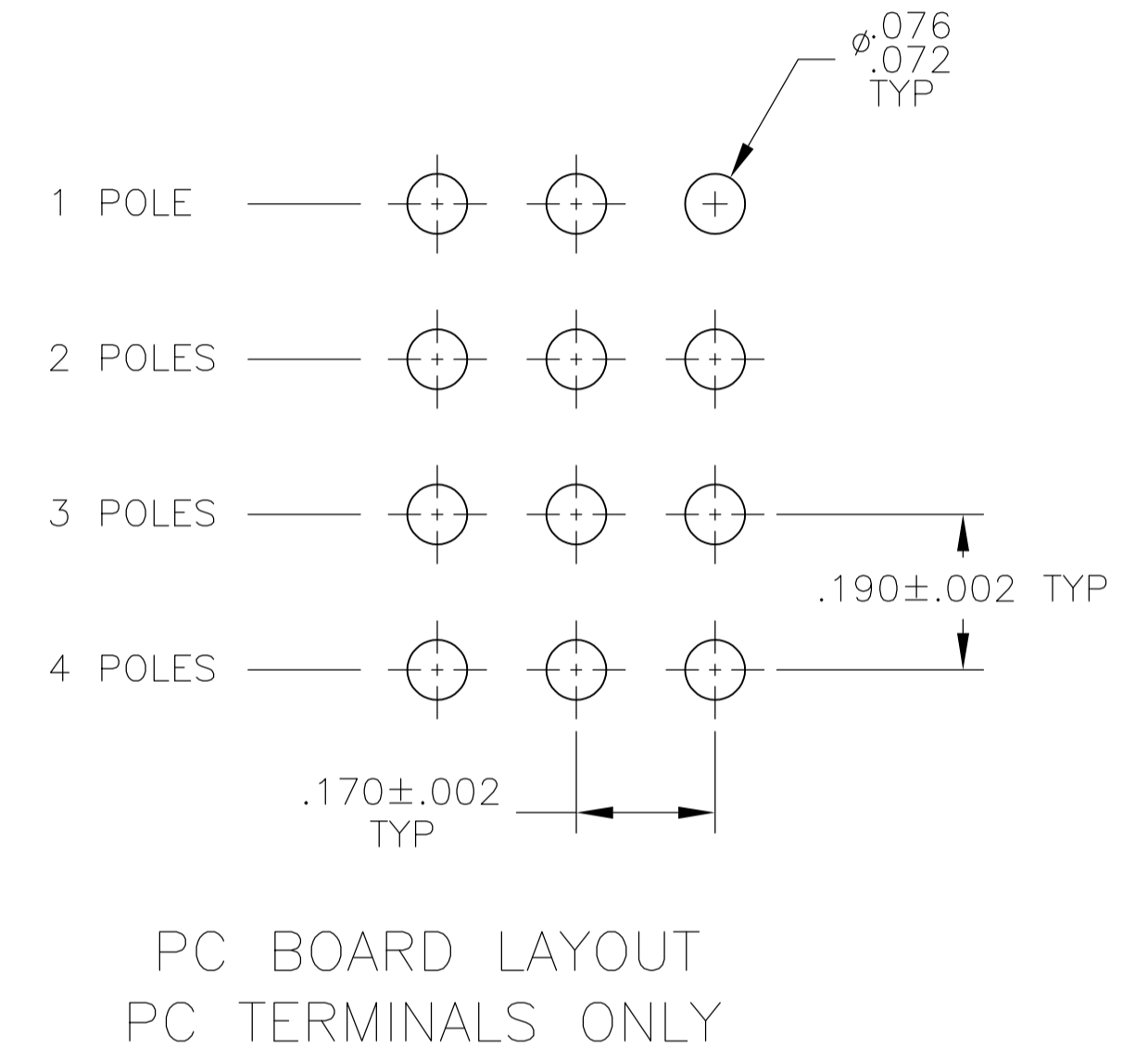
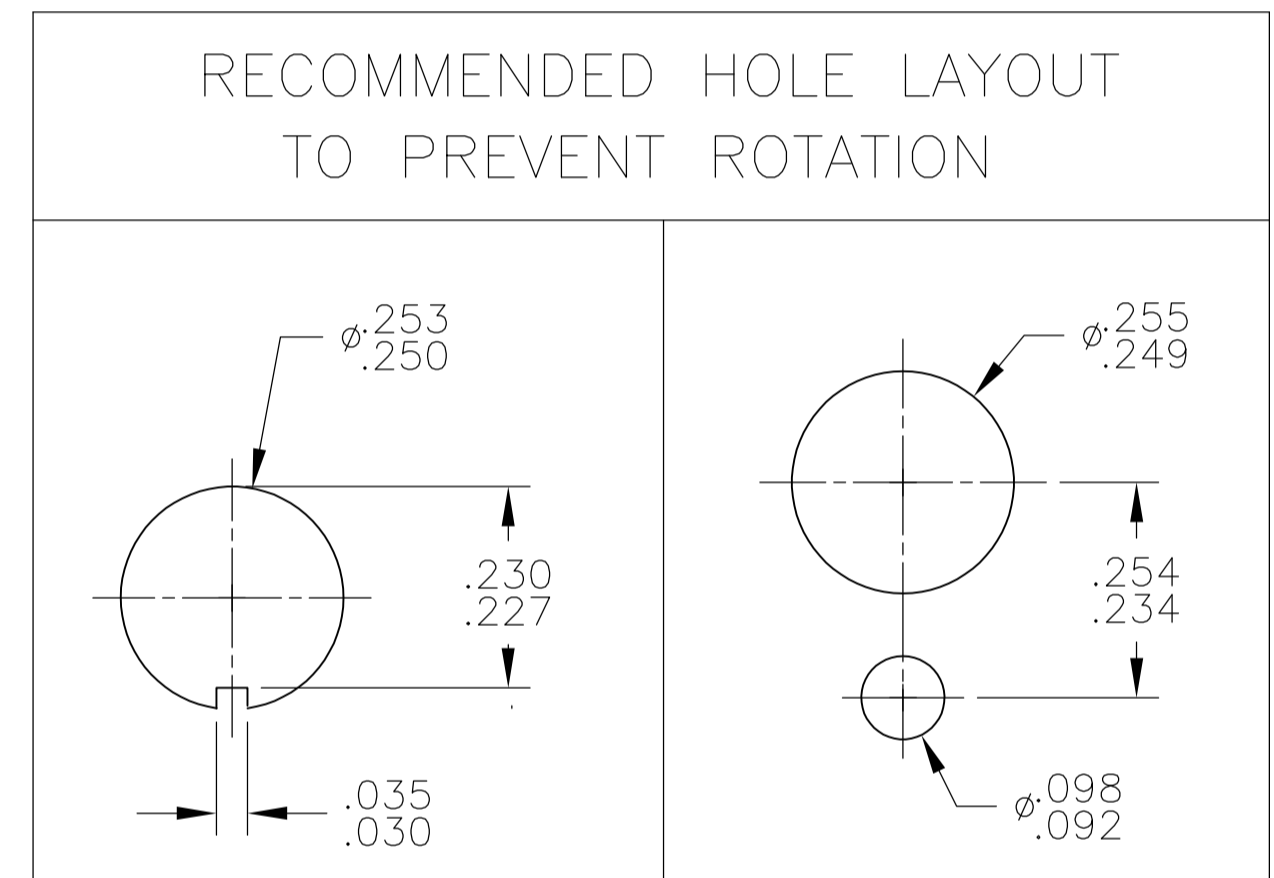


Materials			
No	Component name	Base material	Plating
1	Housing	Diallyl phthalate resin	
2	End terminal	silver clad copper alloy	gold flash
3	Center terminal	copper alloy	gold flash
4	Rocker contact	silver clad copper alloy	gold flash
5	Actuator tip	Phenol resin, UL94 HB	
6	Actuator spring	music wire	
7	Actuator	Phenol resin, UL94 HB	
8	Actuator guide	polyamid resin	
9	Frame	cold rolled steel	zinc
10	Retainer	brass	none
11	Plunger spring	music wire	
12	Plunger pin	brass	
13	Bushing	zinc	nickel
14	Plunger	brass	nickel
15	Mounting nuts (2)	brass	nickel
16	Locating ring	cold rolled steel	nickel
17	Internal tooth lockwasher	steel	nickel



NOT TO SCALE

Specifications-see note 3			
<b>Current rating UL &amp; CSA</b>	6A @ 125 VAC (resistive)		
	3A @ 250 VAC (resistive)		
	4A @ 28 VDC (resistive)		
<b>Initial contact resistance</b>	10 milliohms max @ 2-4 VDC, 1A		
<b>Insulation resistance</b>	1,000 megohms min.		
<b>Dielectric strength</b>	1,500 VAC		
<b>Travel</b>	.140		
<b>Actuation force</b>	.4 to 2 kgf		
<b>Operating temperature</b>	-20C to +85C		
<b>Storage temperature</b>	-40C to +85C		
<b>Contact timing</b>	break before make		
<b>Terminal seal</b>	over molded		
<b>Durability</b>	<b>Parameter</b>	<b>Push on/ Push off</b>	<b>Momentary</b>
	250 VAC (3A resistive)	50,000	50,000
	125 VAC (6A resistive)	50,000	50,000
	28 VDC (4A resistive)	50,000	50,000



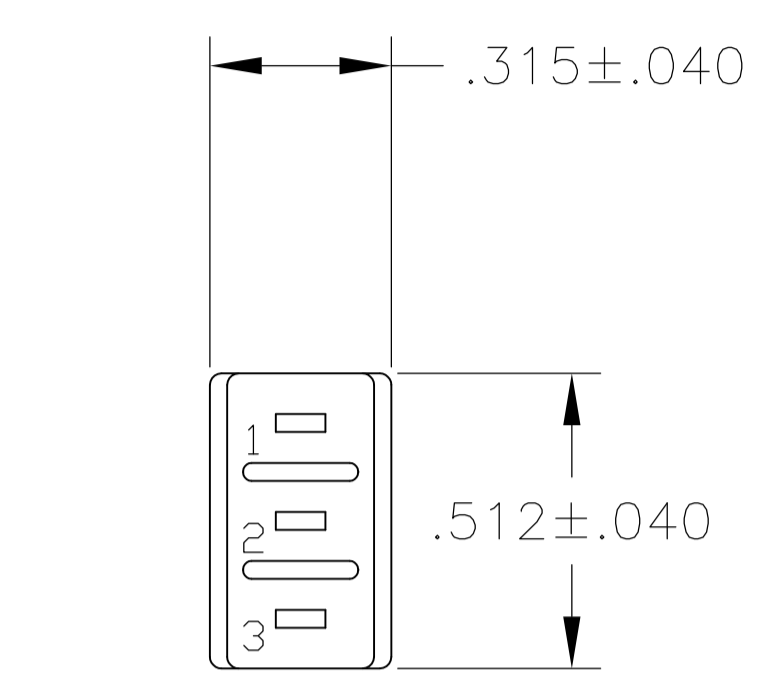
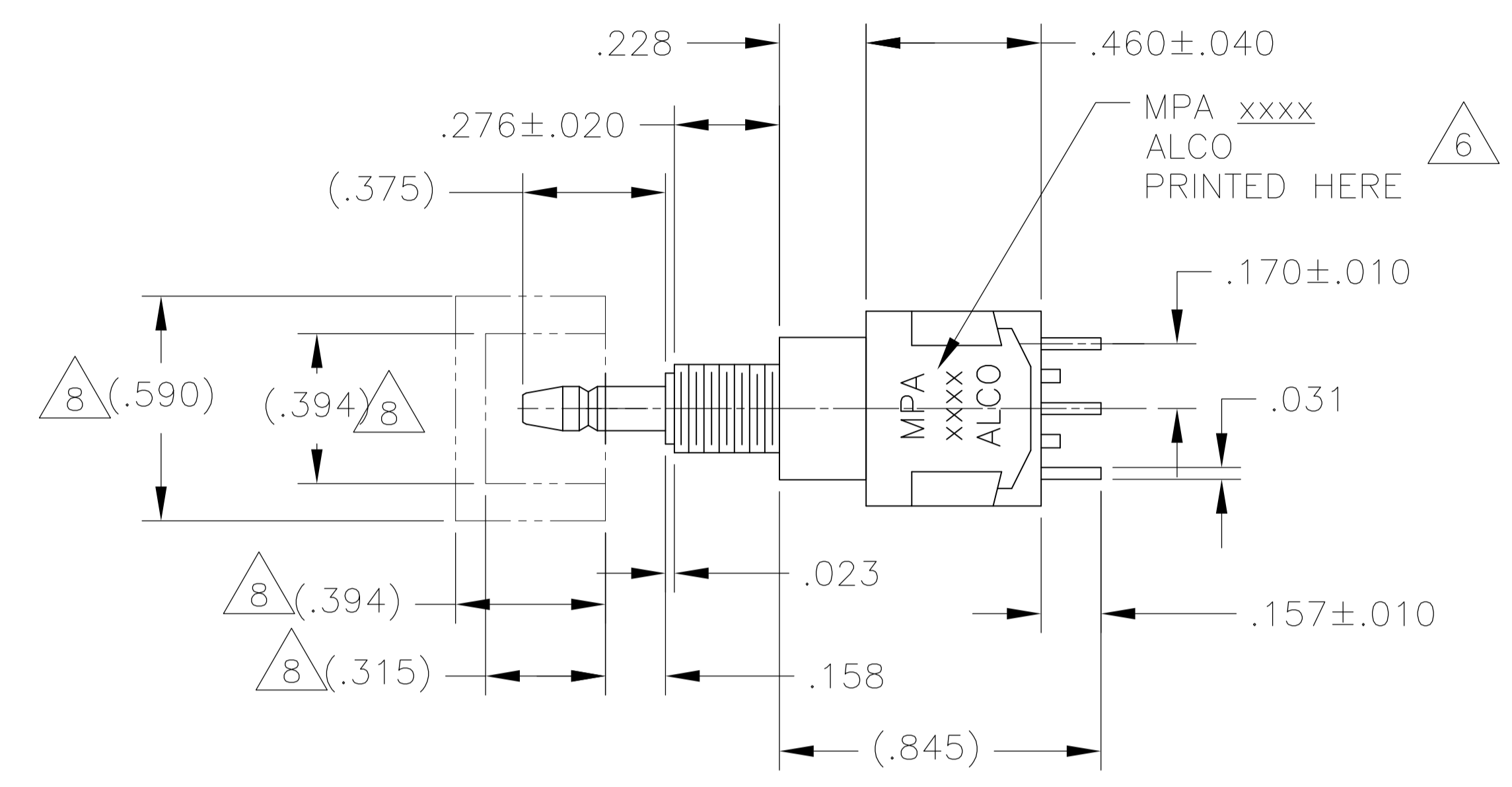
PART NUMBER	Alco P/N	Mark Switch	Poles	Throws	Terminal	Function		Connected Terminals	
						ON	MOM	Terminal 1	Terminal 2
3-1437567-8	MPA406R	MPA 406R	4	2	Wire lug	ON	MOM	2-1, 5-4, 8-7, 11-10	2-3, 5-6, 8-9, 11-12
3-1437567-7	MPA406N	MPA 406N	4	2	Wire lug	ON	ON	2-1, 5-4, 8-7, 11-10	2-3, 5-6, 8-9, 11-12
3-1437567-6	MPA306F	MPA 306F	3	2	Wire lug	ON	MOM	2-1, 5-4, 8-7	2-3, 5-6, 8-9
3-1437567-5	MPA306D	MPA 306D	3	2	Wire lug	ON	ON	2-1, 5-4, 8-7	2-3, 5-6, 8-9
3-1437567-4	MPA206RPC	MPA 206RPC	2	2	PC	ON	MOM	2-1, 5-4	2-3, 5-6
3-1437567-3	MPA206R	MPA 206R	2	2	Wire lug	ON	MOM	2-1, 5-4	2-3, 5-6
3-1437567-2	MPA206NPC	MPA 206NPC	2	2	PC	ON	ON	2-1, 5-4	2-3, 5-6
3-1437567-1	MPA206N	MPA 206N	2	2	Wire lug	ON	ON	2-1, 5-4	2-3, 5-6
3-1437567-0	MPA106FPC	MPA 106FPC	1	2	PC	ON	MOM	2-1	2-3
2-1437567-9	MPA106F	MPA 106F	1	2	Wire lug	ON	MOM	2-1	2-3
2-1437567-8	MPA106D	MPA 106D	1	2	Wire lug	ON	ON	2-1	2-3

- NOTES:
- TERMINAL NUMBERS ARE FOR REFERENCE ONLY AND DO NOT APPEAR ON THE SWITCHES.
  - EACH SWITCH SUPPLIED WITH THE FOLLOWING MOUNTING HARDWARE:
    - (2) 1/4-40 UNS-2B HEX NUTS
    - (1) INTERNAL TOOTH LOCKWASHER
    - (1) LOCATING RING
  - WIRE LUG CONTACTS WILL ACCEPT 2 #20 AWG SOLID OR STRANDED WIRES.
  - MARK SWITCH
  - ALL MATERIALS AND FINISHES SHALL COMPLY WITH EU DIRECTIVE 2002/95/EC OF 27JAN2003 (ROHS).
  - SWITCH DOES NOT INCLUDE BUTTON CAP. DIMENSIONS SHOWN DESCRIBE ALCO SWITCH CAP C22\* AND C23\* FOUND ON DRAWINGS 1825068 & 1825069 AND SOLD SEPARATELY.

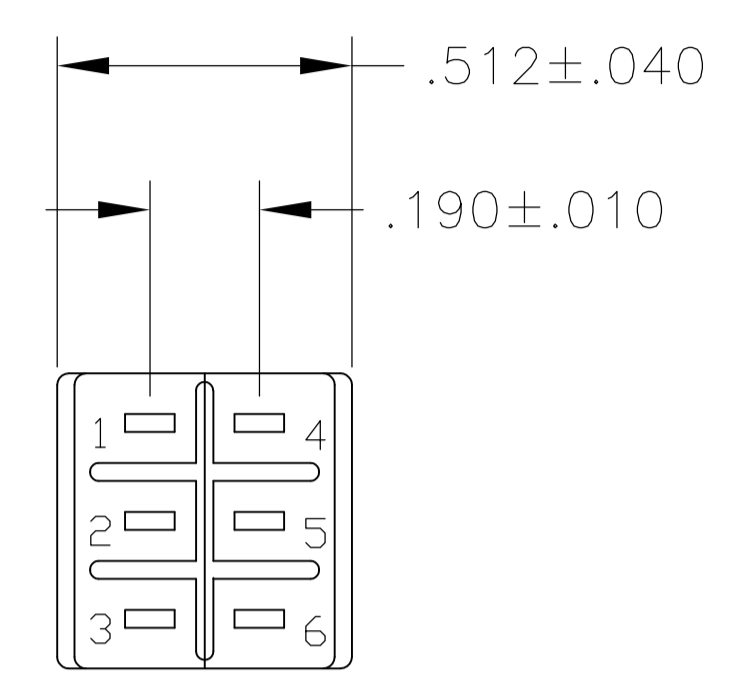
THIS DRAWING IS A CONTROLLED DOCUMENT.

DIMENSIONS: INCHES	TOLERANCES UNLESS OTHERWISE SPECIFIED:	DIN M. BINNER 02MAR09	APVD M. ZITTO 15NOV04	NAME ALCO SWITCH GREEN SERIES PUSHBUTTON SWITCH, MPA SERIES
0. PLC ± .01	1. PLC ± .01	CHK M. ZITTO 15NOV04	PRODUCT SPEC	SIZE A1
2. PLC ± .01	3. PLC ± .01	APVD M. ZITTO 15NOV04	APPLICATION SPEC	WEIGHT
4. PLC ± .01	ANGLES ± .01	NAME ALCO SWITCH GREEN SERIES PUSHBUTTON SWITCH, MPA SERIES	RESTRICTED TO	CUSTOMER DRAWING

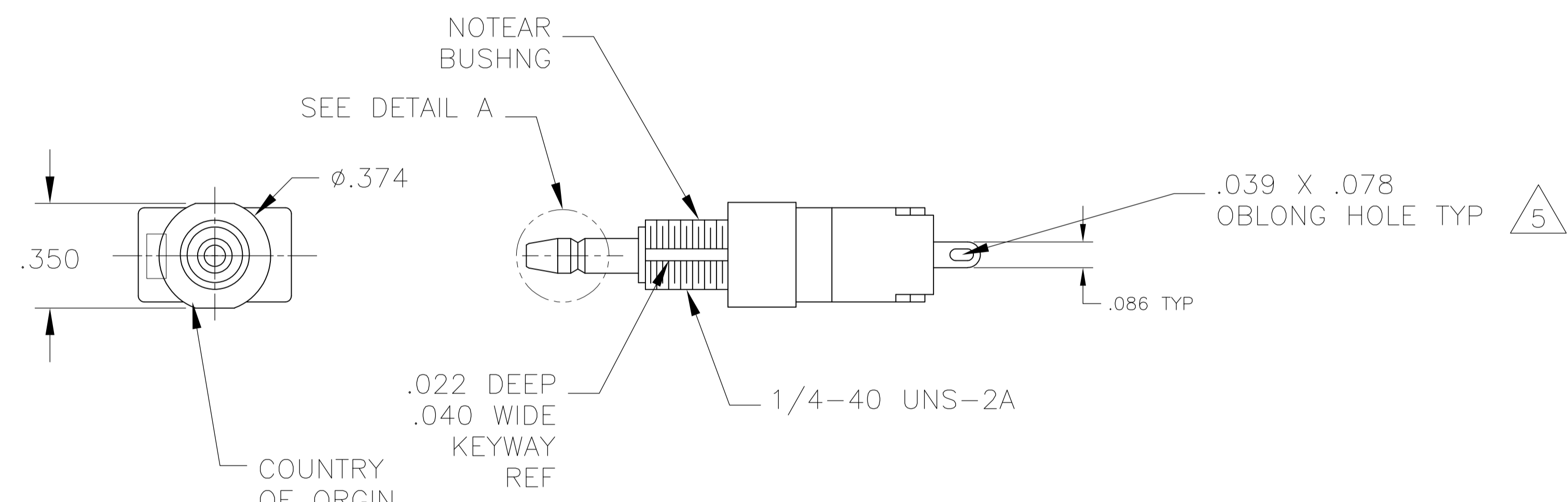
SCALE 3:1 SHEET 1 OF 3 REV A3



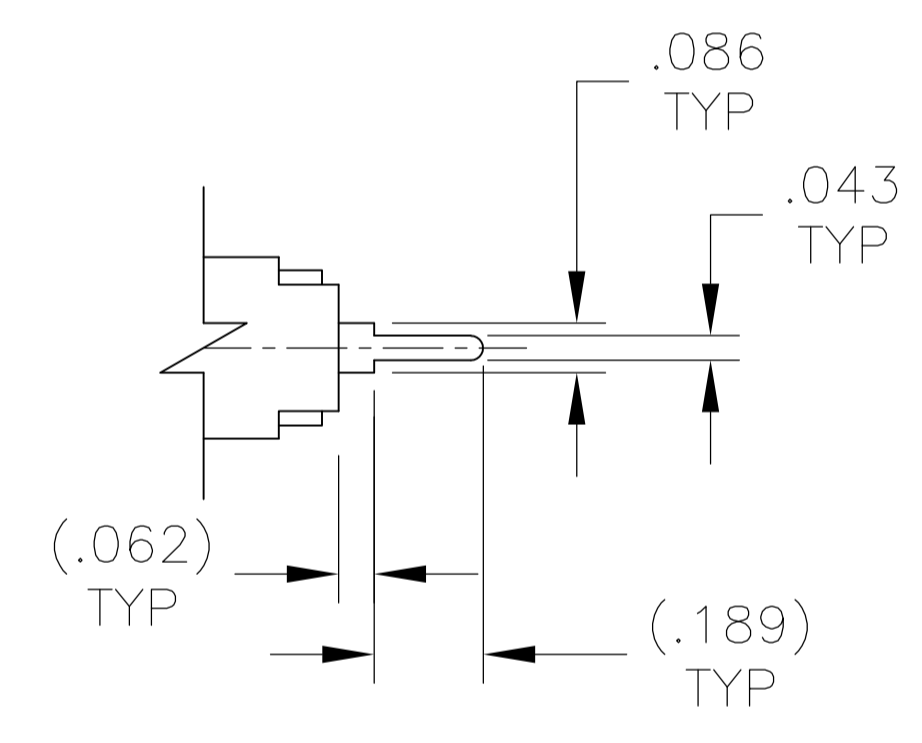
MPA-106



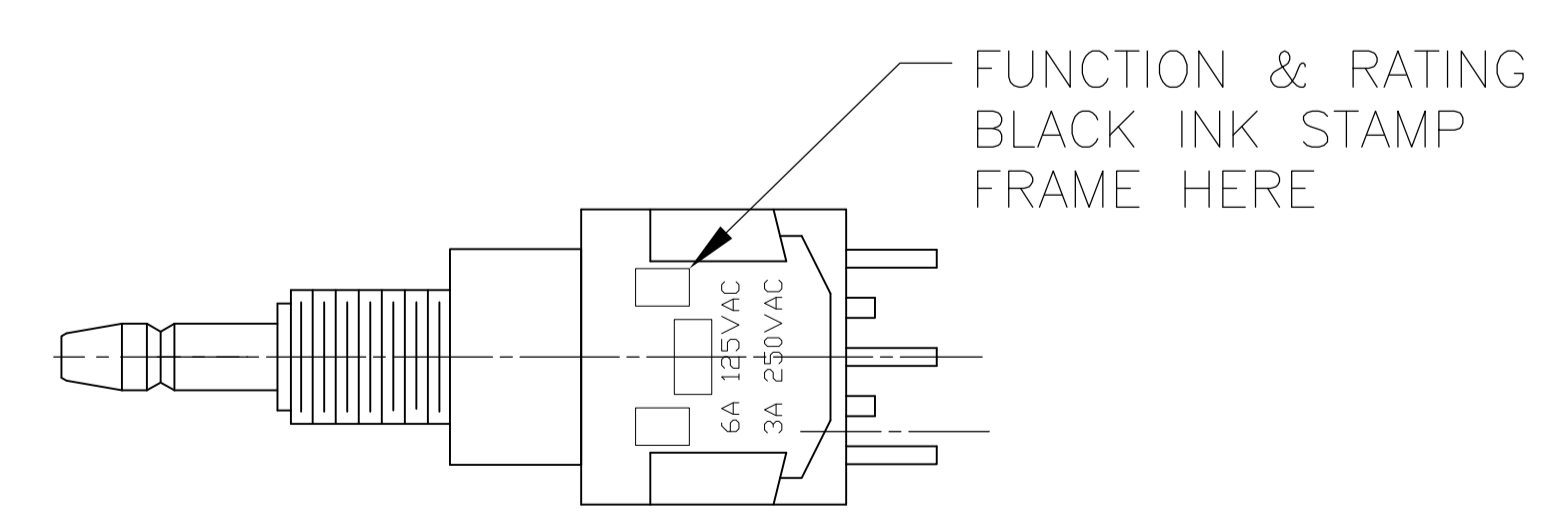
MPA-206



WIRE LUG TERMINAL

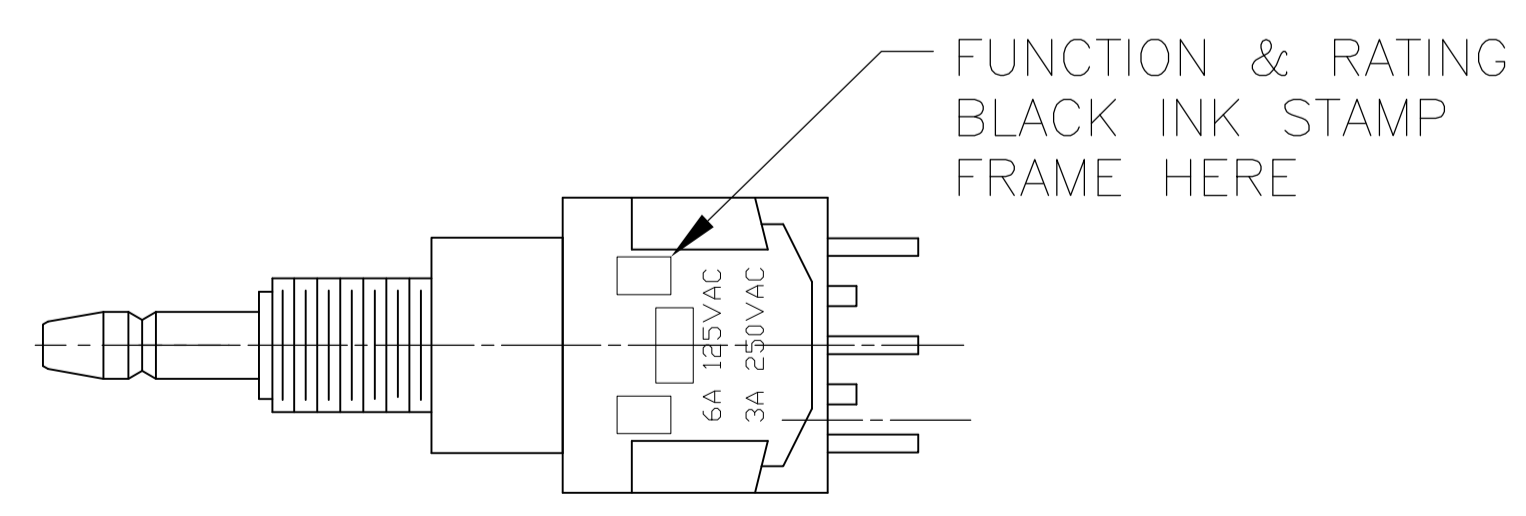
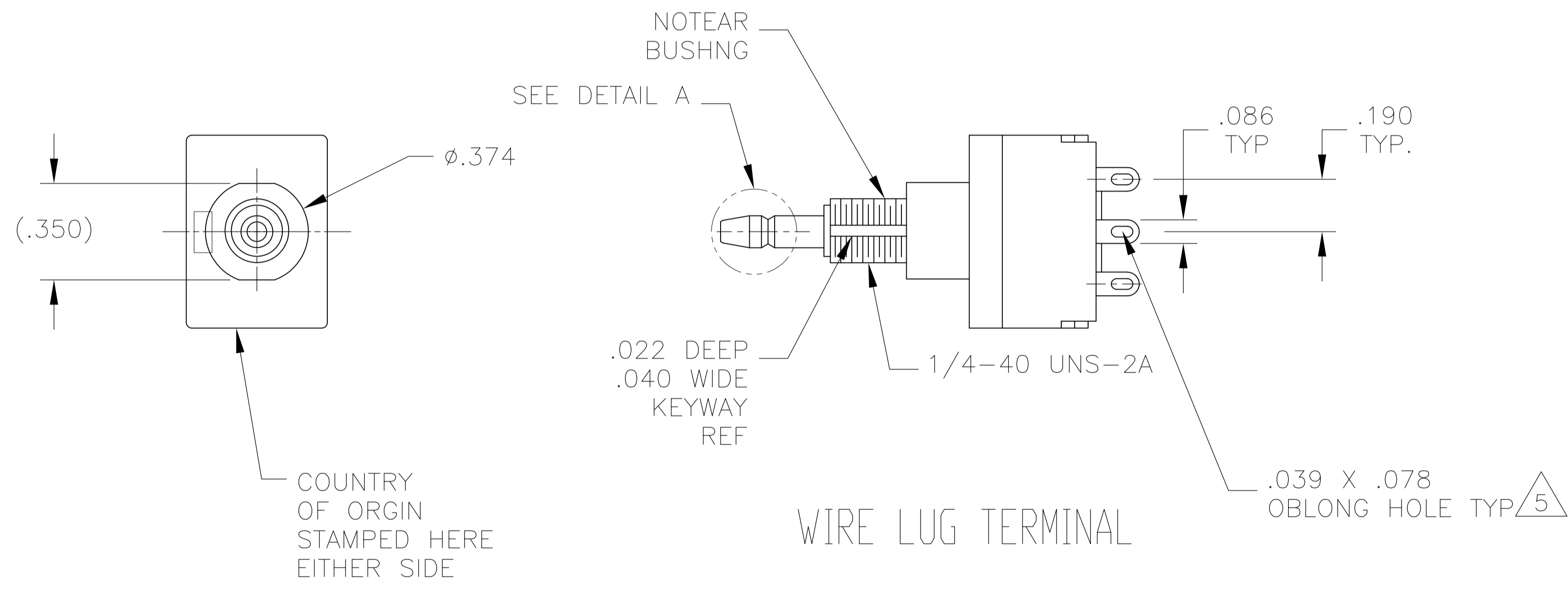
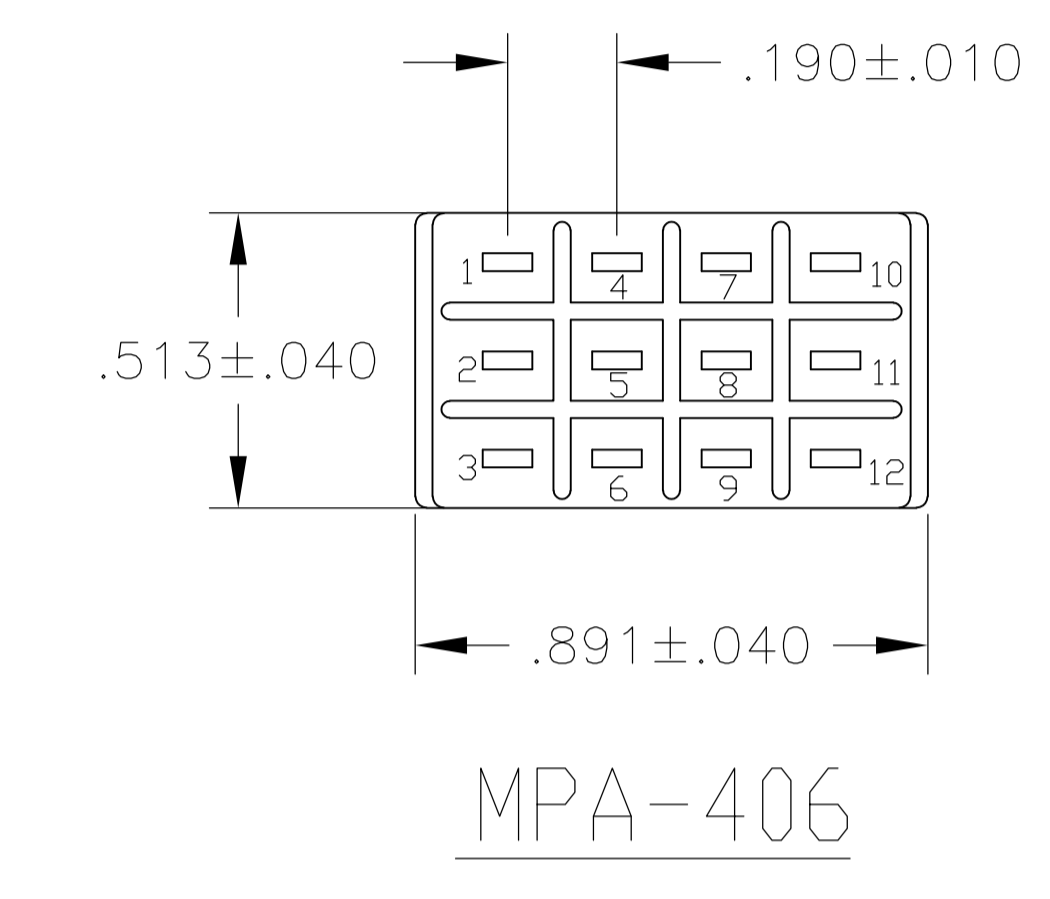
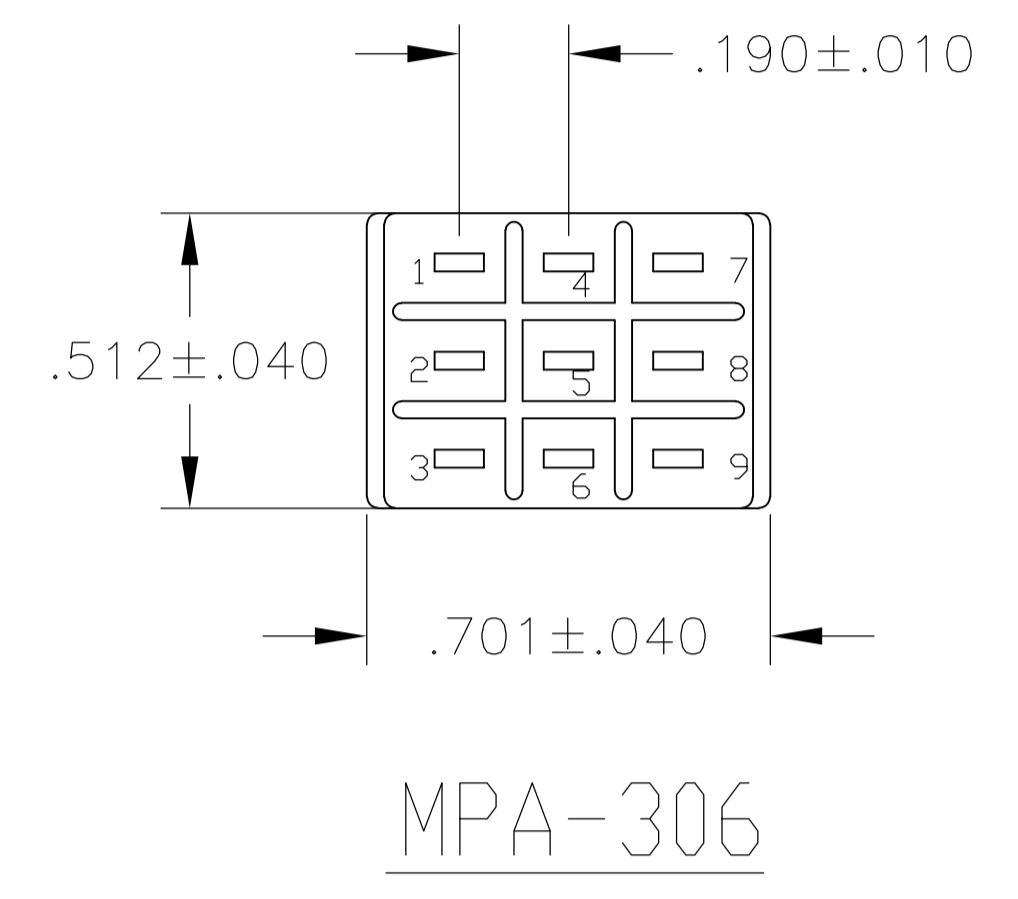
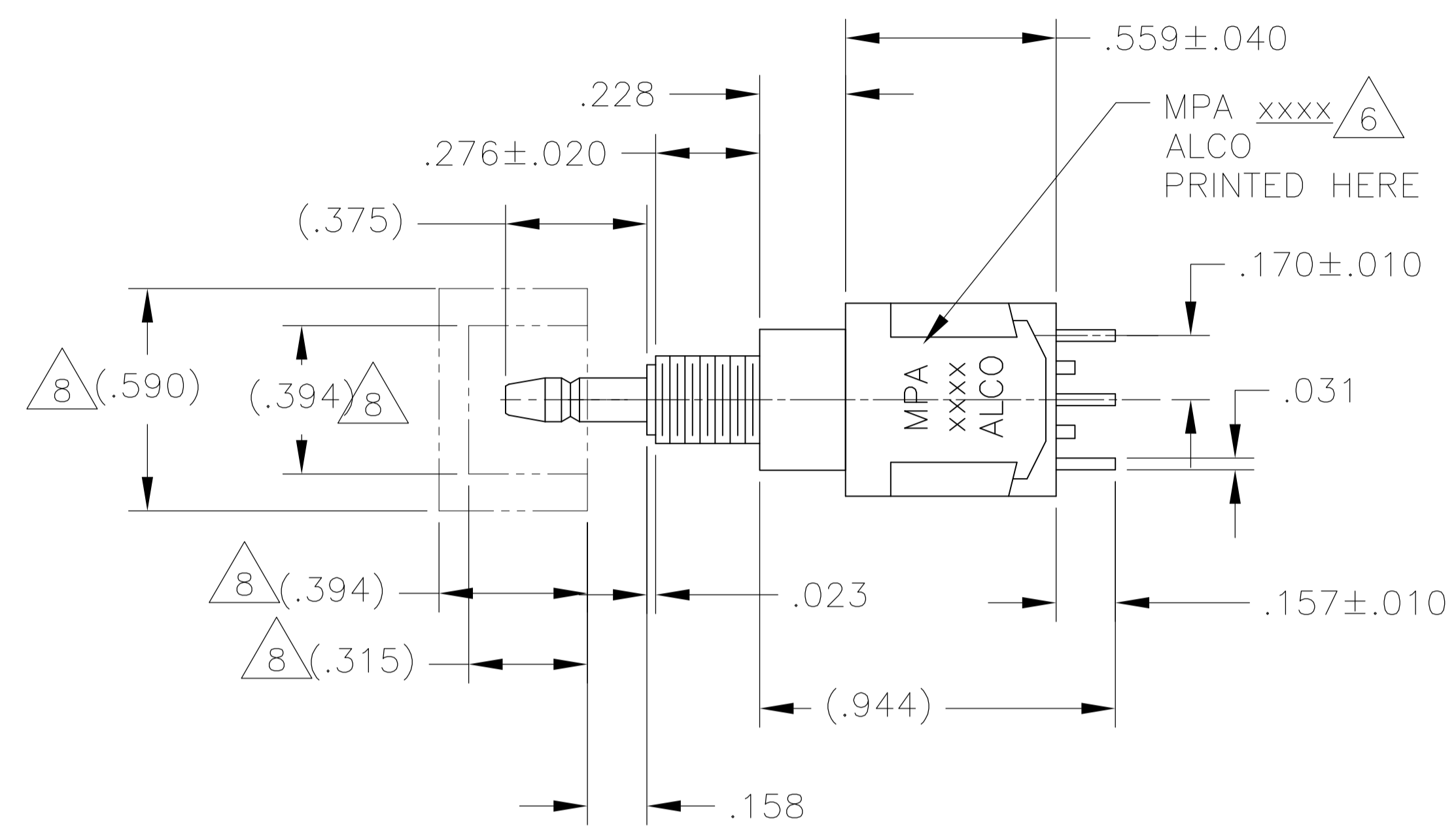


PC TERMINAL



THIS DRAWING IS A CONTROLLED DOCUMENT.		DIN	M. BINNER	02MAR09	 TE Connectivity
DIMENSIONS: INCHES		CHK	M. ZITTO	15NOV04	
TOLERANCES UNLESS OTHERWISE SPECIFIED:		APPD	M. ZITTO	15NOV04	NAME
0. PLC	± -	PRODUCT SPEC		ALCOSWITCH GREEN SERIES PUSHBUTTON SWITCH, MPA SERIES	
1. PLC	± -	APPLICATION SPEC		-	
2. PLC	± -	SIZE	CAGE CODE	DRAWING NO	RESTRICTED TO
3. PLC	± .012	A1	00779	2-1437567-9	-
4. PLC	± -	WEIGHT	-		-
ANGLES	± -	CUSTOMER DRAWING		SCALE	3:1
		SHEET		2	OF 3
		REV		A3	





THIS DRAWING IS A CONTROLLED DOCUMENT.		DIN M. BINNER 02MAR09		TE Connectivity	
DIMENSIONS: INCHES		CHK M. ZITTO 15NOV04			
TOLERANCES UNLESS OTHERWISE SPECIFIED:		NAME M. ZITTO 15NOV04		ALCOSWITCH GREEN SERIES PUSHBUTTON SWITCH, MPA SERIES	
0. PLC ± -	1. PLC ± -	APPLICATION SPEC		SIZE CAGE CODE DRAWING NO. RESTRICTED TO	
2. PLC ± -	3. PLC ± .012	WEIGHT		A1 00779 C=2-1437567-9	
4. PLC ± -	ANGLES ± ±	CUSTOMER DRAWING		SCALE 3:1 SHEET 3 OF 3 REV A3	