



Chipsmall Limited consists of a professional team with an average of over 10 year of expertise in the distribution of electronic components. Based in Hongkong, we have already established firm and mutual-benefit business relationships with customers from,Europe,America and south Asia,supplying obsolete and hard-to-find components to meet their specific needs.

With the principle of “Quality Parts,Customers Priority,Honest Operation,and Considerate Service”,our business mainly focus on the distribution of electronic components. Line cards we deal with include Microchip,ALPS,ROHM,Xilinx,Pulse,ON,Everlight and Freescale. Main products comprise IC,Modules,Potentiometer,IC Socket,Relay,Connector.Our parts cover such applications as commercial,industrial, and automotives areas.

We are looking forward to setting up business relationship with you and hope to provide you with the best service and solution. Let us make a better world for our industry!



Contact us

Tel: +86-755-8981 8866 Fax: +86-755-8427 6832

Email & Skype: info@chipsmall.com Web: www.chipsmall.com

Address: A1208, Overseas Decoration Building, #122 Zhenhua RD., Futian, Shenzhen, China



MPB SERIES PUSHBUTTON SWITCHES

FEATURES

- Single pole single throw momentary action.
- Normally open and normally closed models.
- Permanent cap is standard.
- Single hole mounting w/mtg. nut & lk'wshr supplied.

MATERIALS

Base: PBT thermoplastic, color black
 Bushing: Brass, nickel plated
 Actuator: ABS thermoplastic
 Terminals: Brass, silver plated
 Shorting Contact: Brass or phos. brz., silver plated

GENERAL SPECIFICATIONS

ELECTRICALS

Contact rating: 300 mA @ 125 VAC
 Insulation resistance: 100 megohms min. (500 VDC)
 Dielectric withstanding voltage: 500 VAC for 1 minute
 Contact resistance: 25 milliohms max. at 1 amp, 5 VDC
 Electrical/Mechanical life: 10,000 cycles min.
 Contact bounce: less than 10 milliseconds

MECHANICALS, THERMALS

Plunger travel: MPB1110: .063" (1.6mm) MPB1140: .078" (2mm)
 Actuation force: 300 grams ±150 grams
 Operating temperature range: -20 °C to +60 °C

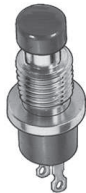
SOLDERING

Wave or hand soldering: 235°C max. for 5 seconds max.
 Solvent washing: Non-washable. Do not apply flux to terminals or switch mtg. surface

SPECIFICATIONS SUBJECT TO CHANGE WITHOUT NOTICE



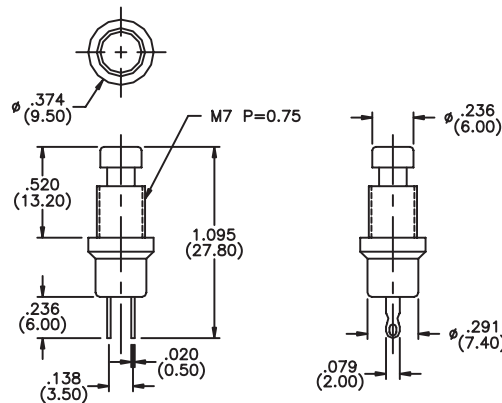
MPB1110



NORMALLY OPEN

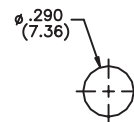


SCHEMATIC



MECHANICAL OUTLINE

Model No.	Cap Color
MPB11102	Black
MPB11106	Red



TOLERANCE FOR PANEL
 MTG. HOLE: +.005 (0.13)
 -.000 (0.00)

PANEL MTG. HOLE

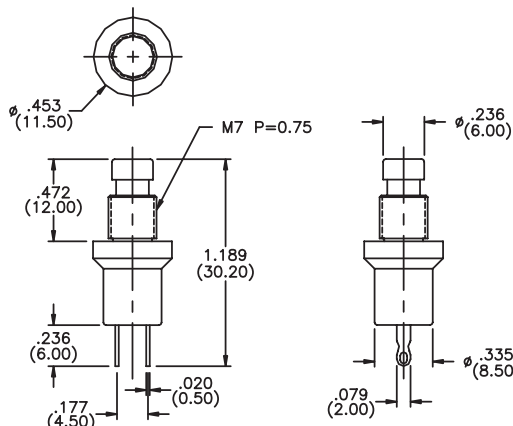
MPB1140



NORMALLY CLOSED

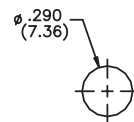


SCHEMATIC



MECHANICAL OUTLINE

Model No.	Cap Color
MPB11402	Black
MPB11406	Red



TOLERANCE FOR PANEL
 MTG. HOLE: +.005 (0.13)
 -.000 (0.00)

PANEL MTG. HOLE