



Chipsmall Limited consists of a professional team with an average of over 10 year of expertise in the distribution of electronic components. Based in Hongkong, we have already established firm and mutual-benefit business relationships with customers from,Europe,America and south Asia,supplying obsolete and hard-to-find components to meet their specific needs.

With the principle of “Quality Parts,Customers Priority,Honest Operation,and Considerate Service”,our business mainly focus on the distribution of electronic components. Line cards we deal with include Microchip,ALPS,ROHM,Xilinx,Pulse,ON,Everlight and Freescale. Main products comprise IC,Modules,Potentiometer,IC Socket,Relay,Connector.Our parts cover such applications as commercial,industrial, and automotives areas.

We are looking forward to setting up business relationship with you and hope to provide you with the best service and solution. Let us make a better world for our industry!



Contact us

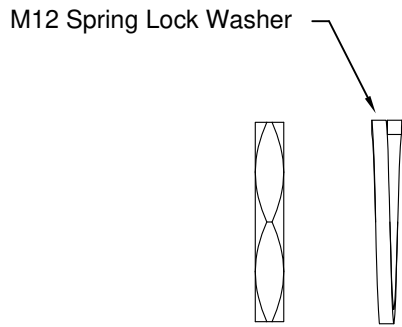
Tel: +86-755-8981 8866 Fax: +86-755-8427 6832

Email & Skype: info@chipsmall.com Web: www.chipsmall.com

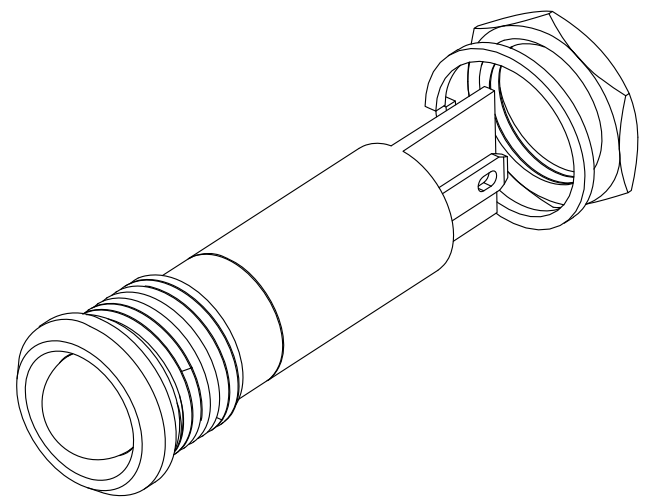
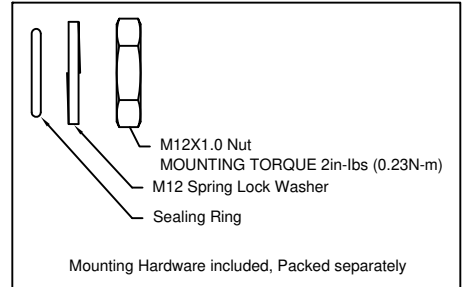
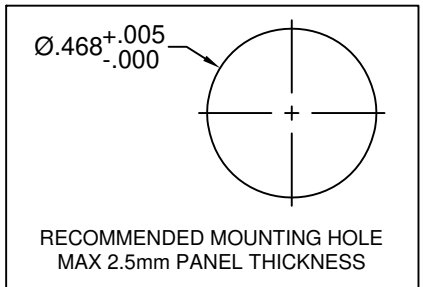
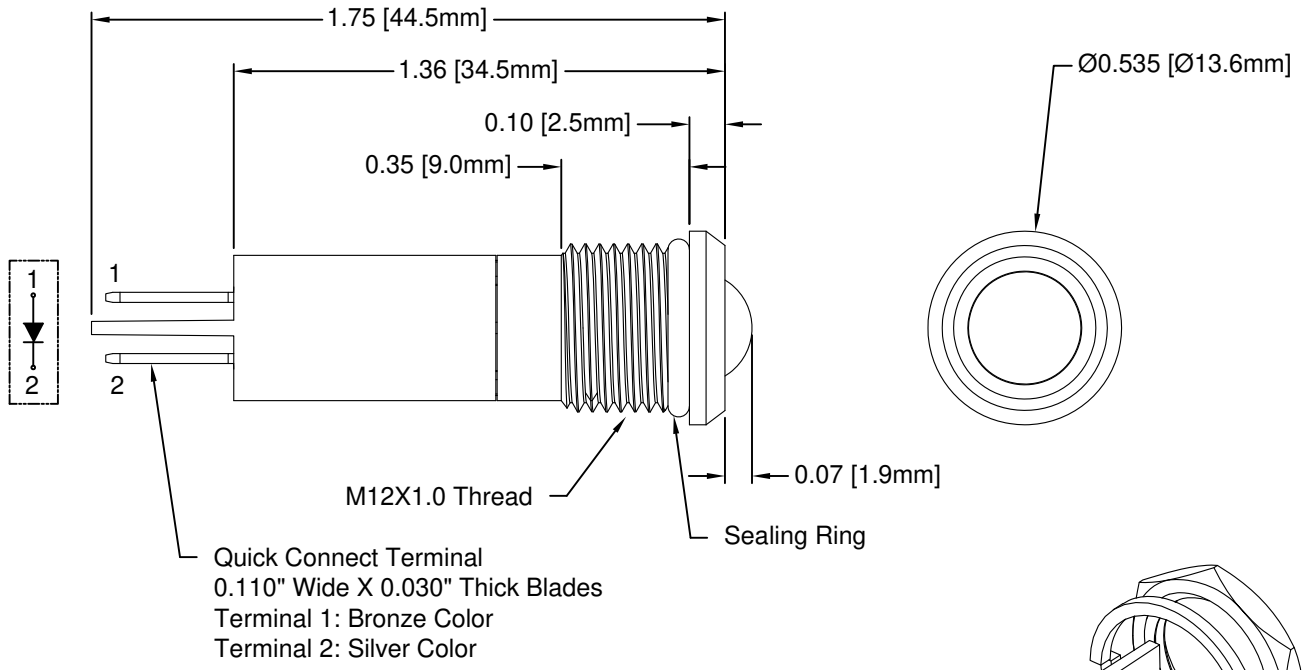
Address: A1208, Overseas Decoration Building, #122 Zhenhua RD., Futian, Shenzhen, China



REV.	DESCRIPTION	DATE	APPROVED
A	Engineering Release	08/13/14	J. C.
B	Engineering Update w/o Changes	08/11/16	J. C.



RECOMMENDED MOUNTING TORQUE
2in-lbs (0.23N-m)



- NOTES:
1. SEALED TO IP54 RATING
 2. VOLTAGE INPUT OPTIONS: 12V/24V/110V/220V
 3. ROHS COMPLIANT
 4. MOUNTING HARDWARE PACKED SEPARATELY NON-ASSEMBLED
 5. INSERT SEALING RING ON PANEL MOUNT ASSEMBLY PRIOR TO PANEL INSTALLATION


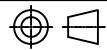
STANDARD TOLERANCE (UNLESS OTHERWISE SPECIFIED)		 4 THOMAS, IRVINE, CA. 92618 TEL: (949) 951-8808 FAX: (949) 951-3974	
DECIMALS	ANGULAR		
.X ± .1	X° ± 1°	 TITLE: MPC12-1 SERIES, IP54 RATED PANEL MOUNT INDICATOR	
.XX ± .02			
.XXX ± .010			
DESIGNED: M. Doan	DATE: 08/13/14	PART NO: MPC12-1XDXXV	REVISION: B
CHECKED: B. Oliver	DATE: 08/13/14	CAGE CODE : 32559	SHEET # 1 OF 2
CAD GENERATED DOCUMENT. DO NOT MEASURE DRAWING.			

REV.	DESCRIPTION	DATE	APPROVED
	SEE SHEET #1		

Part Number	Dominant Wave Length λ_d (nm)	Emitted Color	Lens Appearance	Voltage	Luminous Intensity (mcd)	Viewing Angle (degree)
MPC12-1RD12V	625	Red	Diffused	12V	415	45
MPC12-1GD12V	525	Green	Diffused	12V	1880	45
MPC12-1YD12V	590	Yellow	Diffused	12V	415	45
MPC12-1BWD12V	470	Blue	Diffused	12V	835	45
MPC12-1WD12V	x=0.36, y=0.32	White	Diffused	12V	7315	45
MPC12-1RD24V	625	Red	Diffused	24V	415	45
MPC12-1GD24V	525	Green	Diffused	24V	1880	45
MPC12-1YD24V	590	Yellow	Diffused	24V	415	45
MPC12-1BWD24V	470	Blue	Diffused	24V	835	45
MPC12-1WD24V	x=0.36, y=0.32	White	Diffused	24V	7315	45
MPC12-1RD110V	625	Red	Diffused	110V	20	45
MPC12-1GD110V	525	Green	Diffused	110V	205	45
MPC12-1YD110V	590	Yellow	Diffused	110V	20	45
MPC12-1BWD110V	470	Blue	Diffused	110V	70	45
MPC12-1WD110V	x=0.36, y=0.32	White	Diffused	110V	250	45
MPC12-1RD220V	625	Red	Diffused	220V	10	45
MPC12-1GD220V	525	Green	Diffused	220V	100	45
MPC12-1YD220V	590	Yellow	Diffused	220V	10	45
MPC12-1BWD220V	470	Blue	Diffused	220V	35	45
MPC12-1WD220V	x=0.36, y=0.32	White	Diffused	220V	125	45

ABSOLUTE MAXIMUM RATINGS (Ta = 25°C)

POWER INPUT _____ 0.5W MAX
 OPERATING TEMPERATURE RANGE _____ -40°C ~ 80°C
 STORAGE TEMPERATURE _____ -40°C ~ 80°C
 TERMINAL SOLDERING TEMPERATURE _____ 260°C, 5s

STANDARD TOLERANCE (UNLESS OTHERWISE SPECIFIED) DECIMALS ANGULAR		 4 THOMAS, IRVINE, CA. 92618 TEL: (949) 951-8808 FAX: (949) 951-3974	
			
DESIGNED: M. Doan	DATE: 08/13/14	TITLE: MPC12-1 SERIES, IP54 RATED PANEL MOUNT INDICATOR	
CHECKED: B. Oliver	DATE: 08/13/14	PART NO: MPC12-1XDXXV	REVISION: B
		CAGE CODE : 32559	SHEET # 2 OF 2
CAD GENERATED DOCUMENT. DO NOT MEASURE DRAWING.			