



Chipsmall Limited consists of a professional team with an average of over 10 year of expertise in the distribution of electronic components. Based in Hongkong, we have already established firm and mutual-benefit business relationships with customers from,Europe,America and south Asia,supplying obsolete and hard-to-find components to meet their specific needs.

With the principle of "Quality Parts,Customers Priority,Honest Operation,and Considerate Service",our business mainly focus on the distribution of electronic components. Line cards we deal with include Microchip,ALPS,ROHM,Xilinx,Pulse,ON,Everlight and Freescale. Main products comprise IC,Modules,Potentiometer,IC Socket,Relay,Connector.Our parts cover such applications as commercial,industrial, and automotives areas.

We are looking forward to setting up business relationship with you and hope to provide you with the best service and solution. Let us make a better world for our industry!



## Contact us

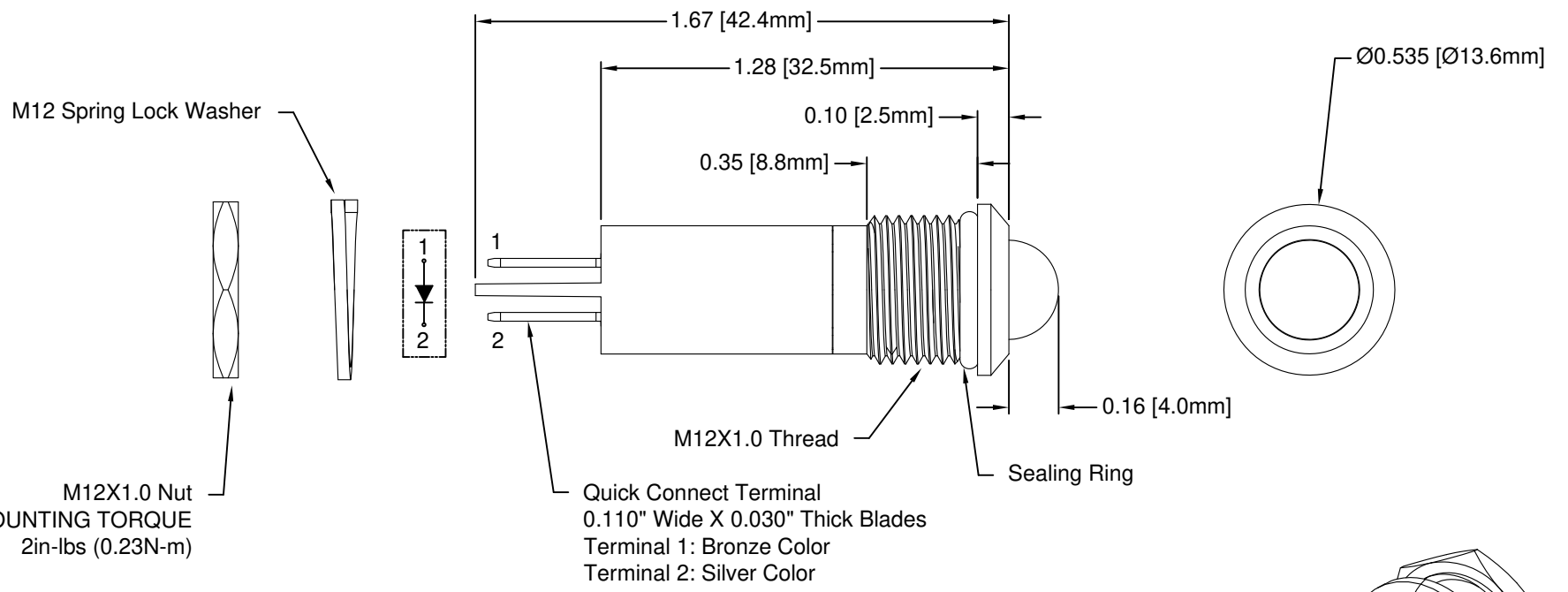
Tel: +86-755-8981 8866 Fax: +86-755-8427 6832

Email & Skype: info@chipsmall.com Web: www.chipsmall.com

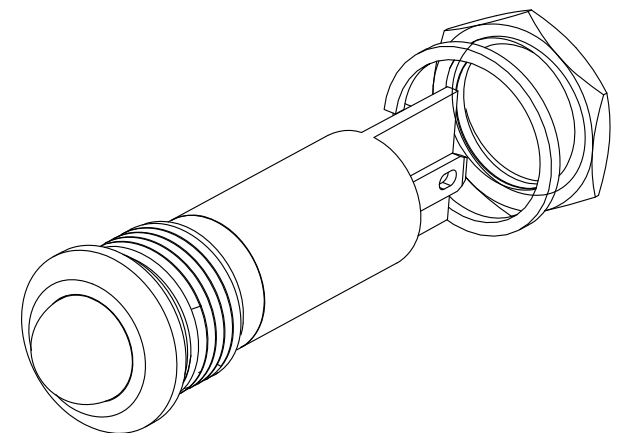
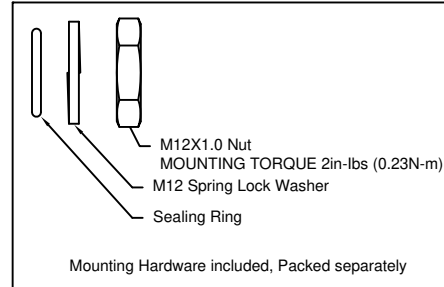
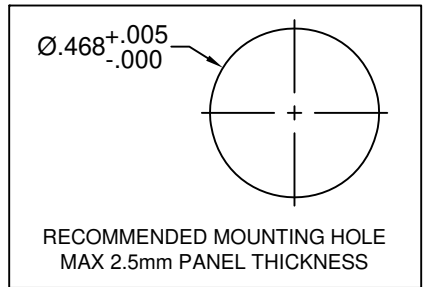
Address: A1208, Overseas Decoration Building, #122 Zhenhua RD., Futian, Shenzhen, China



REV.	DESCRIPTION	DATE	APPROVED
A	Engineering Release	08/14/14	J. C.
B	Engineering Update w/o Changes	08/11/16	J. C.



M12X1.0 Nut  
**RECOMMENDED MOUNTING TORQUE**  
 2in-lbs (0.23N-m)



- NOTES:**
1. SEALED TO IP54 RATING
  2. VOLTAGE INPUT OPTIONS: 12V/24V/110V/220V
  3. ROHS COMPLIANT
  4. MOUNTING HARDWARE PACKED SEPARATELY NON-ASSEMBLED
  5. INSERT SEALING RING ON PANEL MOUNT ASSEMBLY PRIOR TO PANEL INSTALLATION


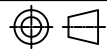
STANDARD TOLERANCE (UNLESS OTHERWISE SPECIFIED)		BIVAR®	
DECIMALS	ANGULAR	4 THOMAS, IRVINE, CA. 92618	
.X ± .1	X° ± 1°	TEL: (949) 951-8808 FAX: (949) 951-3974	
.XX ± .02		<b>TITLE:</b> MPC12-2 SERIES, IP54 RATED PANEL MOUNT INDICATOR	
.XXX ± .010		<b>PART NO:</b> MPC12-2XDXXV	REVISION: B
DESIGNED: <b>M. Doan</b>	DATE: <b>08/14/14</b>	<b>CAGE CODE :</b> 32559	<b>SHEET #</b> 1 OF 2
CHECKED: <b>B. Oliver</b>	DATE: <b>08/14/14</b>	CAD GENERATED DOCUMENT. DO NOT MEASURE DRAWING.	

REV.	DESCRIPTION	DATE	APPROVED
	SEE SHEET #1		

Part Number	Dominant Wave Length $\lambda_d$ (nm)	Emitted Color	Lens Appearance	Voltage	Luminous Intensity (mcd)	Viewing Angle (degree)
MPC12-2RD12V	625	Red	Diffused	12V	415	45
MPC12-2GD12V	525	Green	Diffused	12V	1880	45
MPC12-2YD12V	590	Yellow	Diffused	12V	415	45
MPC12-2BWD12V	470	Blue	Diffused	12V	835	45
MPC12-2WD12V	x=0.36, y=0.32	White	Diffused	12V	7315	45
MPC12-2RD24V	625	Red	Diffused	24V	415	45
MPC12-2GD24V	525	Green	Diffused	24V	1880	45
MPC12-2YD24V	590	Yellow	Diffused	24V	415	45
MPC12-2BWD24V	470	Blue	Diffused	24V	835	45
MPC12-2WD24V	x=0.36, y=0.32	White	Diffused	24V	7315	45
MPC12-2RD110V	625	Red	Diffused	110V	20	45
MPC12-2GD110V	525	Green	Diffused	110V	205	45
MPC12-2YD110V	590	Yellow	Diffused	110V	20	45
MPC12-2BWD110V	470	Blue	Diffused	110V	70	45
MPC12-2WD110V	x=0.36, y=0.32	White	Diffused	110V	250	45
MPC12-2RD220V	625	Red	Diffused	220V	10	45
MPC12-2GD220V	525	Green	Diffused	220V	100	45
MPC12-2YD220V	590	Yellow	Diffused	220V	10	45
MPC12-2BWD220V	470	Blue	Diffused	220V	35	45
MPC12-2WD220V	x=0.36, y=0.32	White	Diffused	220V	125	45

**ABSOLUTE MAXIMUM RATINGS (Ta = 25°C)**

POWER INPUT \_\_\_\_\_ 0.5W MAX  
 OPERATING TEMPERATURE RANGE \_\_\_\_\_ -40°C ~ 80°C  
 STORAGE TEMPERATURE \_\_\_\_\_ -40°C ~ 80°C  
 TERMINAL SOLDERING TEMPERATURE \_\_\_\_\_ 260°C, 5s

STANDARD TOLERANCE ( UNLESS OTHERWISE SPECIFIED ) DECIMALS                      ANGULAR		 4 THOMAS, IRVINE, CA. 92618 TEL.: (949) 951-8808    FAX: (949) 951-3974	
			
DESIGNED: <b>M. Doan</b>	DATE: <b>08/14/14</b>	<b>TITLE:</b> MPC12-2 SERIES, IP54 RATED PANEL MOUNT INDICATOR	
CHECKED: <b>B. Oliver</b>	DATE: <b>08/14/14</b>	<b>PART NO:</b> <b>MPC12-2XDXXV</b>	<b>REVISION:</b> <b>B</b>
		<b>CAGE CODE :</b> 32559	<b>SHEET #</b> 2 OF 2
CAD GENERATED DOCUMENT. DO NOT MEASURE DRAWING.			