



Chipsmall Limited consists of a professional team with an average of over 10 year of expertise in the distribution of electronic components. Based in Hongkong, we have already established firm and mutual-benefit business relationships with customers from,Europe,America and south Asia,supplying obsolete and hard-to-find components to meet their specific needs.

With the principle of “Quality Parts,Customers Priority,Honest Operation,and Considerate Service”,our business mainly focus on the distribution of electronic components. Line cards we deal with include Microchip,ALPS,ROHM,Xilinx,Pulse,ON,Everlight and Freescale. Main products comprise IC,Modules,Potentiometer,IC Socket,Relay,Connector.Our parts cover such applications as commercial,industrial, and automotives areas.

We are looking forward to setting up business relationship with you and hope to provide you with the best service and solution. Let us make a better world for our industry!



Contact us

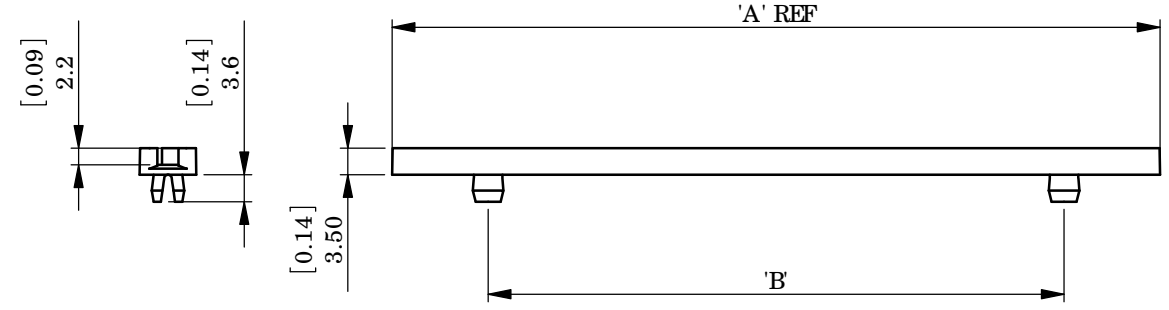
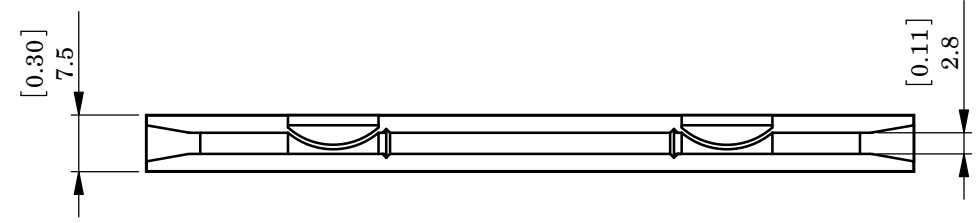
Tel: +86-755-8981 8866 Fax: +86-755-8427 6832

Email & Skype: info@chipsmall.com Web: www.chipsmall.com

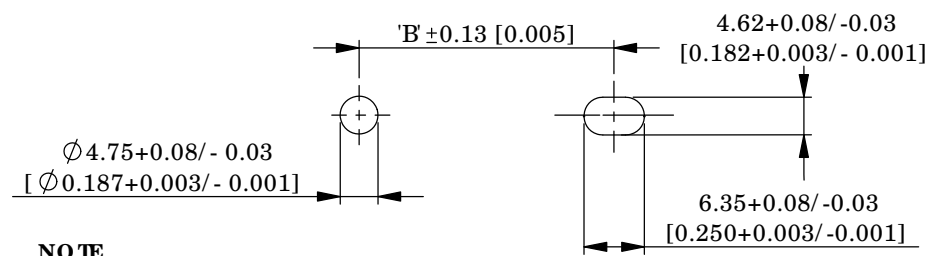
Address: A1208, Overseas Decoration Building, #122 Zhenhua RD., Futian, Shenzhen, China



REV.	MODIFICATION.	DATE	DRN
01	Sale s Re le ase	04/09/09	PH
02	CO2011179	29/07/11	SF
03	CO2011212	31/10/11	SF



PANEL DETAILS



NOTE
ACCEPTS PCB 0.8 TO 2.0 [0.032 TO 0.079]
MOUNTS INTO PANEL 0.5 TO 2.0 [0.020 TO 0.079]

Part Number	Dimension 'A' REF	Dimension 'B' ± 0.25 [0.01]
MPCGCN-250	63.5 [2.50]	38.1 [1.50]
MPCGCN-300	76.2 [3.00]	50.8 [2.00]
MPCGCN-400	101.6 [4.00]	76.2 [3.00]
MPCGCN-550	139.7 [5.50]	114.4 [4.50]

ALTERNATE UNITS FOR REFERENCE ONLY

INFORMATION CONTAINED IN THIS DOCUMENT IS CONFIDENTIAL TO RICHCO INTERNATIONAL Co. Ltd. AND MAY NOT BE DISCLOSED OR REPRODUCED IN WHOLE OR PART WITHOUT THEIR WRITTEN CONSENT.

RIC HCO, INC. WWW.RICHCO-INC.COM	ALL DIMENSIONS IN mm GENERAL TOLERANCES ±0.25 UNLESS OTHERWISE STATED 1 DECIMAL PLACE ± 2 DECIMAL PLACES ± ANGULAR ±1°	THIRD ANGLE

MATERIAL: Nylon 6 Conductive Compound (RMS-392) COLOUR: **BLACK**

DESCRIPTION: **ESD MULTI PANEL CARD GUIDE** PART No: **SEE TABLE**

DRG No: 09-091 NPR No: **EU09-0046** SHEET SIZE **A4**

DRN PH	DATE 21/08/09	CHKD TC	DATE 04/09/09	SCALE NTS	SHEET No. 1 OF 1
------------------	-------------------------	-------------------	-------------------------	---------------------	----------------------------