



Chipsmall Limited consists of a professional team with an average of over 10 year of expertise in the distribution of electronic components. Based in Hongkong, we have already established firm and mutual-benefit business relationships with customers from,Europe,America and south Asia,supplying obsolete and hard-to-find components to meet their specific needs.

With the principle of “Quality Parts,Customers Priority,Honest Operation,and Considerate Service”,our business mainly focus on the distribution of electronic components. Line cards we deal with include Microchip,ALPS,ROHM,Xilinx,Pulse,ON,Everlight and Freescale. Main products comprise IC,Modules,Potentiometer,IC Socket,Relay,Connector.Our parts cover such applications as commercial,industrial, and automotives areas.

We are looking forward to setting up business relationship with you and hope to provide you with the best service and solution. Let us make a better world for our industry!



Contact us

Tel: +86-755-8981 8866 Fax: +86-755-8427 6832

Email & Skype: info@chipsmall.com Web: www.chipsmall.com

Address: A1208, Overseas Decoration Building, #122 Zhenhua RD., Futian, Shenzhen, China



DC-DC Converter Short Form

MPD7D06*S (Isolated DC-DC Converter)

The MPD7D06*S Series is 48V or 60V Input , Low height 0.3" , small size 1.57" x 1.18" as same area of a eighth brick , surface-mountable devices , fixed switching frequency of Isolated DC-DC Converter.

This series is pin compatibility to other Murata original DC-DC Converters of 48V input 10W,15W,20W series which are actually Japan De-facto Standard.



■ FEATURES

- Low Profile & Small Size:39.9×30.05×8.0mm
- Wide Input Voltage Range(36 to 75V)
- Wide Operating Ambient Temp:-40 to +85°C. with minimum power derating
- Input-Output Isolation Voltage(1.5kVdc)
- UL60950 recognized ,Self-declare CE mark

■ FUNCTIONS

- Over current Limit Inception
- Low voltage Protection
- Over voltage Protection
- Remote On/Off control
- Alarm signal Output
- Output Current multiplied up to 10 times with parallel operation

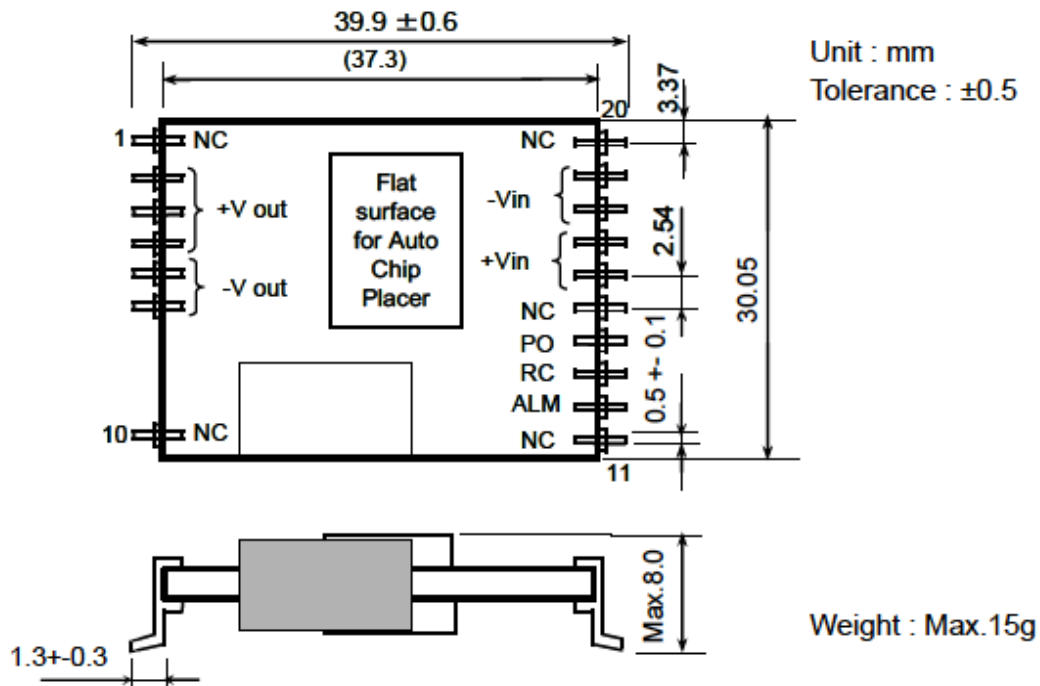
■ GENERAL SPECIFICATIONS

Item \ Model		MPD7D***S SERIES where *** is in below cell	
		067	068
Input	Input Voltage Range	36-60V (Continuous) Forced Air Convection 160LFM (0.8m/s) 36-75V (Continuous) Forced Air Convection 240LFM (1.2m/s)	
	Turn-on Input Voltage	32 to 36V	
	Turn-on/off Hysteresis (Min.)	2V	
Output	Output Voltage	3.3V	5.0V
	Output Voltage Tolerance	+5%,-3%	
	Nominal Output Current	10.6A	7.0A
	Overcurrent Limit Inception (Min.)	10.9A	7.2A
	Lowvoltage Protection(Max.)	90% of Nominal Output Voltage	
	Efficiency(typ)	91%	92%
	Output Ripple and Noise (Max.)	100mVp-p with F _{BW} =100MHz 50mVp-p with F _{BW} =20MHz	
	Remote ON/OFF	ON :RC pin connected to -Vin or open OFF:RC pin connected to +Vin	
Isolation	Input - Output(Min.)	1500Vdc	

△ Note:

1. This datasheet is downloaded from the website of Murata Manufacturing co., Ltd. Therefore, it's specifications are subject to change or our products in it may be discontinued without advance notice. Please check with our sales representatives or product engineers before ordering.
2. This datasheet has only typical specifications because there is no space for detailed specifications. Therefore, please approve our product specifications or transact the approval sheet for product specifications before ordering.

■ DIMENSIONS



■ Pin assignment

Pin No.	Designation	Function
1,10,11,15,20	NC	Not Connected
2,3,4	+V out	+Output
5,6	-V out	-Output
12	ALM	Alarm output Note1
13	RC	Remote On/Off Control
14	PO	Parallel Operation Note2
16,17	+ Vin	+ Input
18,19	- Vin	- Input

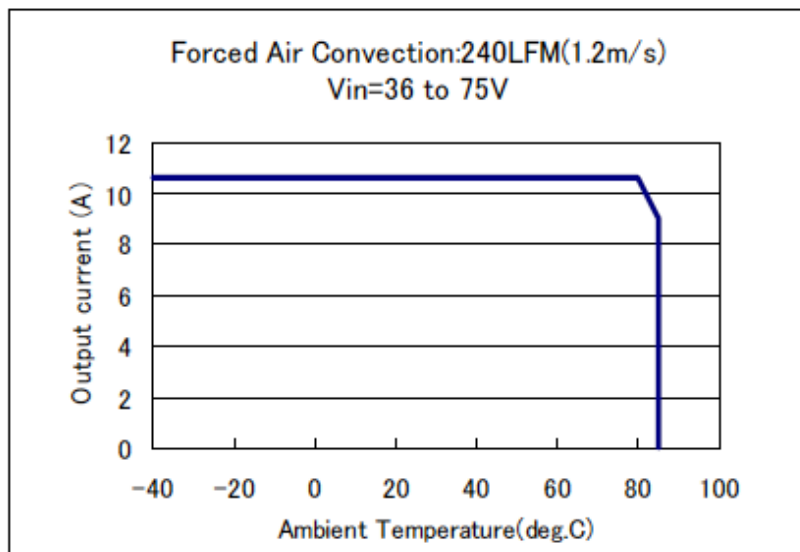
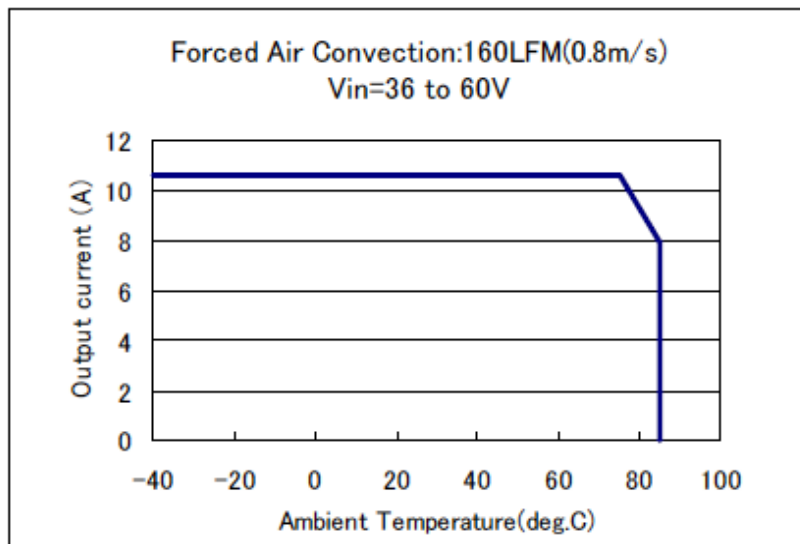
Note 1: Any DC-DC Converter halted by abnormality forces all DC-DC Converters, which are connected ALM pins to the others for parallel and/or multiple operation, to stop their operation.

Note 2: DC-DC Converters connected PO pins to the others can synchronize start timing for parallel and/or multiple operation.

△ Note:

- This datasheet is downloaded from the website of Murata Manufacturing co., Ltd. Therefore, it's specifications are subject to change or our products in it may be discontinued without advance notice. Please check with our sales representatives or product engineers before ordering.
- This datasheet has only typical specifications because there is no space for detailed specifications. Therefore, please approve our product specifications or transact the approval sheet for product specifications before ordering.

■ Typical Power De-rating(with Single unit operation) MPD7D067S

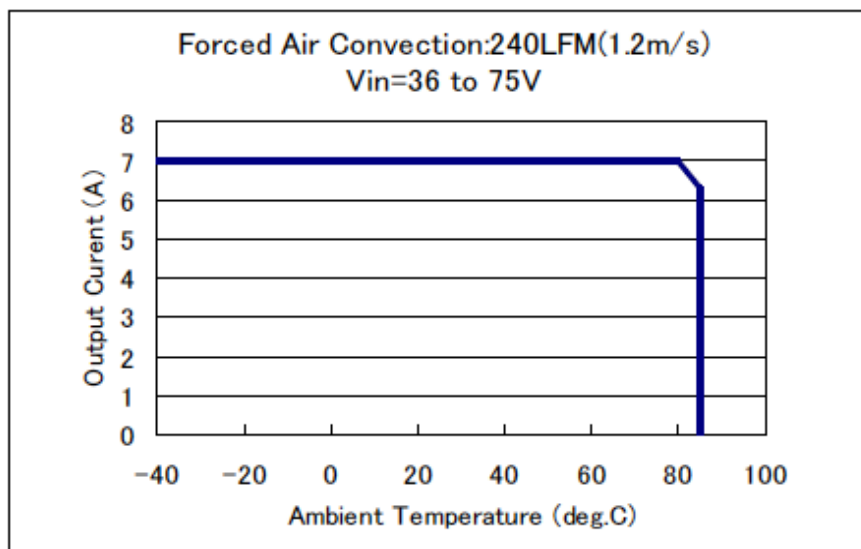
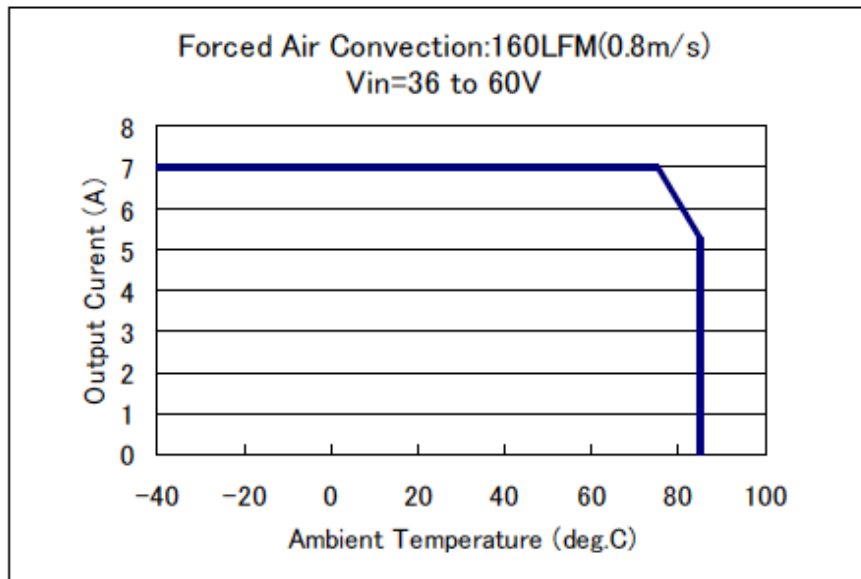


Notice:We would like to emphasize that these data are based on our experimental measurement. Please confirm that the maximum temperature of components mounted on a PCB substrate of the DC-DC Converter is 120°C or less in your application.

△ Note:

1. This datasheet is downloaded from the website of Murata Manufacturing co., Ltd. Therefore, it's specifications are subject to change or our products in it may be discontinued without advance notice. Please check with our sales representatives or product engineers before ordering.
2. This datasheet has only typical specifications because there is no space for detailed specifications. Therefore, please approve our product specifications or transact the approval sheet for product specifications before ordering.

■ Typical Power De-rating(with Single unit operation) MPD7D068S



■ Safety

UL60950 recognized, CE marking(LVD & EMC directive)



△ Note:

1. This datasheet is downloaded from the website of Murata Manufacturing co., Ltd. Therefore, it's specifications are subject to change or our products in it may be discontinued without advance notice. Please check with our sales representatives or product engineers before ordering.
2. This datasheet has only typical specifications because there is no space for detailed specifications. Therefore, please approve our product specifications or transact the approval sheet for product specifications before ordering.