



Chipsmall Limited consists of a professional team with an average of over 10 year of expertise in the distribution of electronic components. Based in Hongkong, we have already established firm and mutual-benefit business relationships with customers from,Europe,America and south Asia,supplying obsolete and hard-to-find components to meet their specific needs.

With the principle of “Quality Parts,Customers Priority,Honest Operation,and Considerate Service”,our business mainly focus on the distribution of electronic components. Line cards we deal with include Microchip,ALPS,ROHM,Xilinx,Pulse,ON,Everlight and Freescale. Main products comprise IC,Modules,Potentiometer,IC Socket,Relay,Connector.Our parts cover such applications as commercial,industrial, and automotives areas.

We are looking forward to setting up business relationship with you and hope to provide you with the best service and solution. Let us make a better world for our industry!



Contact us

Tel: +86-755-8981 8866 Fax: +86-755-8427 6832

Email & Skype: info@chipsmall.com Web: www.chipsmall.com

Address: A1208, Overseas Decoration Building, #122 Zhenhua RD., Futian, Shenzhen, China





■ Features

- 2.06"x1.07" compact size
- Medical safety approved (2 x MOPP) according to ANSI/AAMI ES60601-1 and IEC/EN60601-1
- Suitable for BF application with appropriate system consideration
- No load power consumption < 0.075W (0.09W for 3.3V)
- Extremely low leakage current
- Wide operating temp. range -35 ~ +85°C
- EMI class B for class II configuration
- Protections:
Short circuit / Overload / Over voltage / Over temperature
- No minimum load required
- 3 years warranty

■ Applications

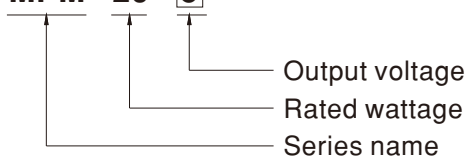
- Portable medical device
- Mobile clinical workstation
- Medical computer monitor
- Medical examination instrument

■ Description

MPM-20 is a 20W high density and small size (52.4*27.2*24mm) AC/DC module type medical power supply series offered in pin type. It features the operation for 80~264VAC, a low no load power consumption less than 0.075W (0.09W for 3.3V), a high efficiency up to 87%, Class II (no FG) double insulation, outstanding dissipation and high lifespan thanks to the interior potting, 5G anti-vibration, high EMC performance, 4KVAC isolation, etc. The design observes IEC/EN60601-1 and ANSI/AAMI ES60601-1 version three with 2xMOPP level and ultra-low leakage current (<80 μ A). It is very suitable for BF (patient contact) type medical device or relevant equipment.

■ Model Encoding

MPM - 20 - 5

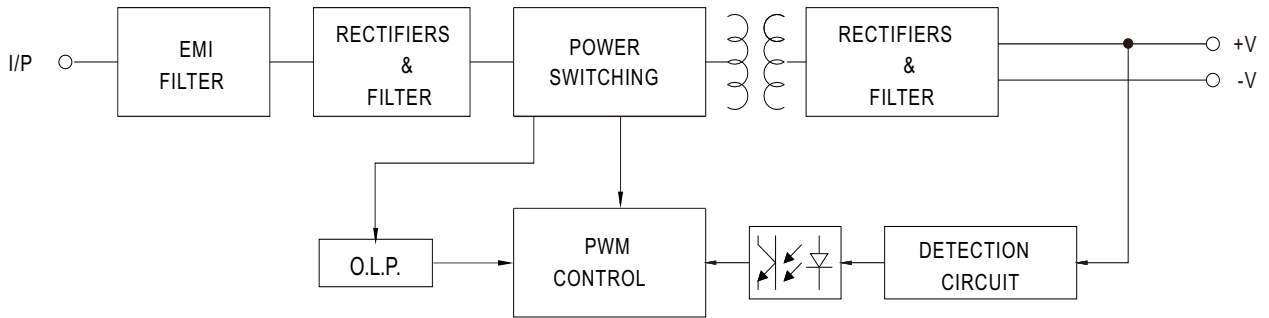


SPECIFICATION

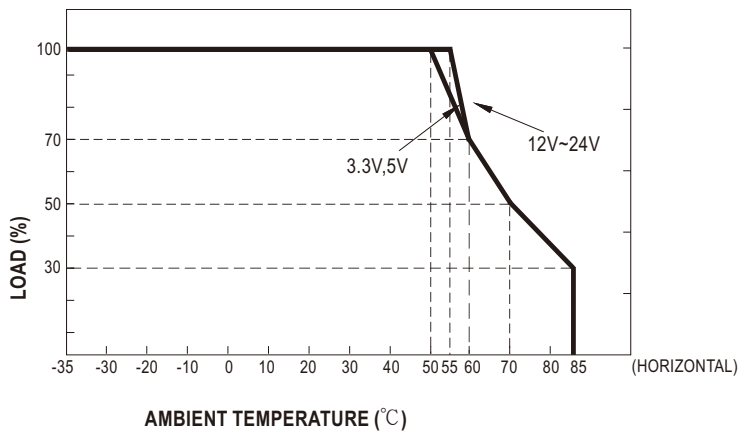
MODEL	MPM-20-3.3	MPM-20-5	MPM-20-12	MPM-20-15	MPM-20-24			
OUTPUT	DC VOLTAGE	3.3V	5V	12V	15V	24V		
	RATED CURRENT	4.5A	4A	1.8A	1.4A	0.9A		
	CURRENT RANGE <small>Note.2</small>	0 ~ 4.5A	0 ~ 4A	0 ~ 1.8A	0 ~ 1.4A	0 ~ 0.9A		
	PEAK CURRENT	4.95A	4.4A	1.98A	1.54A	0.99A		
	RATED POWER	14.9W	20W	21.6W	21W	21.6W		
	PEAK LOAD(10sec.) <small>Note.3</small>	16.3W	22W	23.8W	23.1W	23.8W		
	RIPPLE & NOISE (max.) <small>Note.4</small>	150mVp-p	150mVp-p	150mVp-p	180mVp-p	180mVp-p		
	VOLTAGE TOLERANCE <small>Note.5</small>	± 1.5%	± 1.5%	± 1.5%	± 1.5%	± 1.5%		
	LINE REGULATION	± 0.5%	± 0.5%	± 0.3%	± 0.3%	± 0.3%		
	LOAD REGULATION	± 0.5%	± 0.5%	± 0.5%	± 0.5%	± 0.5%		
	SETUP, RISE TIME	1500ms, 30ms/230VAC 1500ms, 30ms/115VAC at full load						
HOLD UP TIME (Typ.)	40ms/230VAC 10ms/115VAC at full load							
INPUT	VOLTAGE RANGE <small>Note.6</small>	80 ~ 264VAC						
	FREQUENCY RANGE	47 ~ 440Hz						
	EFFICIENCY (Typ.)	81%	85%	85.5%	87%	87%		
	AC CURRENT (Typ.)	0.75A/115VAC 0.5A/230VAC						
	INRUSH CURRENT (Typ.)	COLD START 20A/115VAC 45A/230VAC						
	LEAKAGE CURRENT (max.) <small>Note.7</small>	Touch current <80 μ A/264VAC						
PROTECTION	OVERLOAD	110% ~ 150% rated output power Protection type : Hiccup mode, recovers automatically after fault condition is removed						
	OVER VOLTAGE	3.8 ~ 5V	5.8 ~ 6.8V	13.8 ~ 16.2V	17.3 ~ 20.3V	27.6 ~ 32.4V		
	OVER TEMPERATURE	Protection type : Shut off o/p voltage, clamping by zener diode Protection type : Shut down o/p voltage, recovers automatically after temperature goes down						
ENVIRONMENT	WORKING TEMP.	-35 ~ +85 $^{\circ}$ C (Refer to "Derating Curve")						
	WORKING HUMIDITY	20 ~ 90% RH non-condensing						
	STORAGE TEMP., HUMIDITY	-40 ~ +85 $^{\circ}$ C, 10 ~ 95% RH non-condensing						
	TEMP. COEFFICIENT	± 0.03%/ $^{\circ}$ C (0 ~ 55 $^{\circ}$ C)						
	SOLDERING TEMPERATURE	260 $^{\circ}$ C ± 5 $^{\circ}$ C/10sec.max.						
	VIBRATION	10 ~ 500Hz, 5G 10min./1cycle, period for 60min. each along X, Y, Z axes						
OPERATING ALTITUDE <small>Note.8</small>	5000 meters							
SAFETY & EMC <small>(Note.9)</small>	SAFETY STANDARDS	IEC60601-1, EN60601-1, EAC TP TC 004, UL ANSI/AAMI ES60601-1(3.1 version), CAN/CSA-C22 3 rd Edition approved; Design refer to EN60335-1						
	ISOLATION LEVEL	Primary-Secondary: 2xMOPP						
	WITHSTAND VOLTAGE	I/P-O/P:4KVAC						
	ISOLATION RESISTANCE	I/P-O/P:100M Ohms / 500VDC / 25 $^{\circ}$ C / 70% RH						
	EMC EMISSION	Parameter	Standard			Test Level / Note		
		Conducted emission	EN55011 (CISPR11)			Class B		
		Radiated emission	EN55011 (CISPR11)			Class B		
		Harmonic current	EN61000-3-2			Class A		
		Voltage flicker	EN61000-3-3			-----		
	EMC IMMUNITY	EN60601-1-2	Parameter			Standard		Test Level / Note
ESD		EN61000-4-2			Level 4, 15KV air ; Level 4, 8KV contact			
RF field susceptibility		EN61000-4-3			Level 3, 10V/m(80MHz~2.7GHz) Table 9, 9~28V/m(385MHz~5.78GHz)			
EFT bursts		EN61000-4-4			Level 3, 2KV			
Surge susceptibility		EN61000-4-5			Level 3, 1KV/Line-Line			
Conducted susceptibility		EN61000-4-6			Level 3, 10V			
Magnetic field immunity		EN61000-4-8			Level 4, 30A/m			
Voltage dip, interruption		EN61000-4-11			100% dip 1 periods, 30% dip 25 periods, 100% interruptions 250 periods			
OTHERS	MTBF	1210Khrs min. MIL-HDBK-217F (25 $^{\circ}$ C)						
	DIMENSION	52.4*27.2*24mm (L*W*H) or 2.06"*1.07"*0.94" inch						
	PACKING	0.056Kg; 240pcs/14.4Kg/0.97CUFT						
NOTE	<ol style="list-style-type: none"> All parameters NOT specially mentioned are measured at 230VAC input, rated load and 25$^{\circ}$C of ambient temperature. No minimum load required. 33% Duty cycle maximum within every 30 seconds. Average output power should not exceed the rated power. Ripple & noise are measured at 20MHz of bandwidth by using a 12" twisted pair-wire terminated with a 0.1 μf & 47 μf parallel capacitor. Tolerance : includes set up tolerance, line regulation and load regulation. Derating may be needed under low input voltages. Please check the derating curve for more details. Touch current was measured from primary input to DC output. The ambient temperature derating of 3.5$^{\circ}$C/1000m with fanless models and of 5$^{\circ}$C/1000m with fan models for operating altitude higher than 2000m(6500ft). The power supply is considered a component which will be installed into a final equipment. The final equipment must be re-confirmed that it still meets EMC directives. For guidance on how to perform these EMC tests, please refer to "EMI testing of component power supplies." (as available on http://www.meanwell.com) 							

Block Diagram

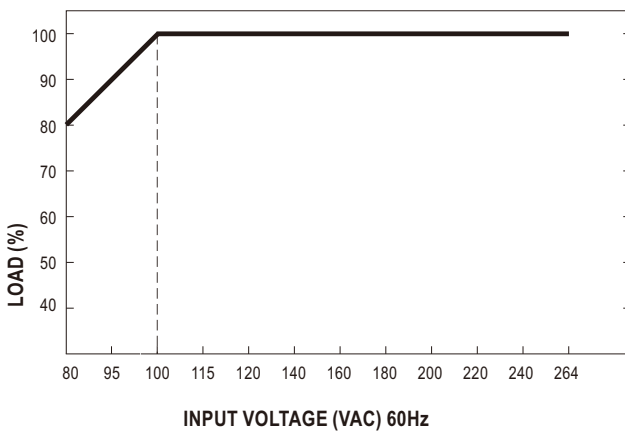
fosc : 100KHz



Derating Curve

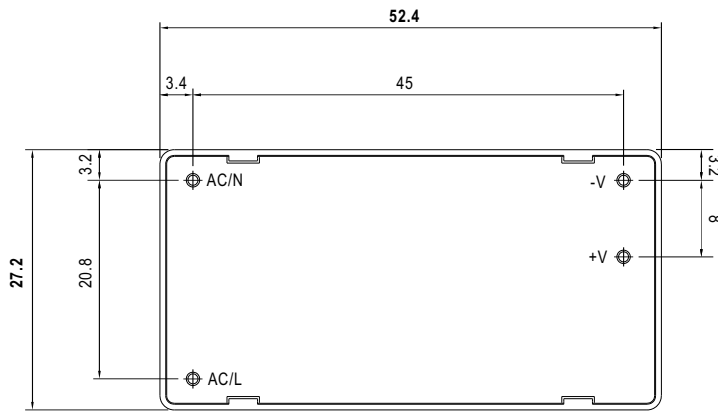


Output Derating VS Input Voltage

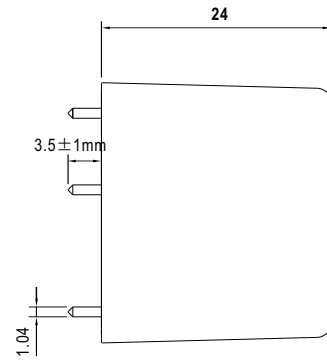


■ **Mechanical Specification**

Case No.219A Unit:(mm)



BOTTOM VIEW



P/N diameter:1.04

SIDE VIEW

■ **Installation Manual**

Please refer to : <http://www.meanwell.com/manual.html>