



Chipsmall Limited consists of a professional team with an average of over 10 year of expertise in the distribution of electronic components. Based in Hongkong, we have already established firm and mutual-benefit business relationships with customers from,Europe,America and south Asia,supplying obsolete and hard-to-find components to meet their specific needs.

With the principle of “Quality Parts,Customers Priority,Honest Operation,and Considerate Service”,our business mainly focus on the distribution of electronic components. Line cards we deal with include Microchip,ALPS,ROHM,Xilinx,Pulse,ON,Everlight and Freescale. Main products comprise IC,Modules,Potentiometer,IC Socket,Relay,Connector.Our parts cover such applications as commercial,industrial, and automotives areas.

We are looking forward to setting up business relationship with you and hope to provide you with the best service and solution. Let us make a better world for our industry!



Contact us

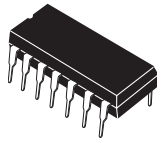
Tel: +86-755-8981 8866 Fax: +86-755-8427 6832

Email & Skype: info@chipsmall.com Web: www.chipsmall.com

Address: A1208, Overseas Decoration Building, #122 Zhenhua RD., Futian, Shenzhen, China



MPQ3725A
NPN SILICON
QUAD TRANSISTOR



TO-116 CASE

CentralTM

Semiconductor Corp.

DESCRIPTION:

The CENTRAL SEMICONDUCTOR MPQ3725A type is comprised of four independent silicon NPN transistors mounted in a 14-Pin DIP case, designed for core driver applications.

MARKING CODE: FULL PART NUMBER

MAXIMUM RATINGS: ($T_A=25^\circ\text{C}$)

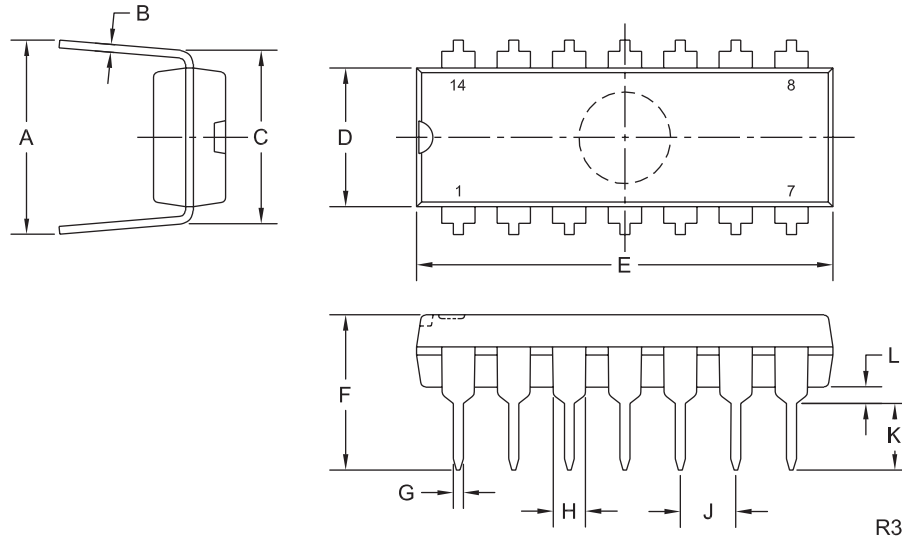
| |
|--|
| Collector-Emitter Voltage |
| Collector-Emitter Voltage |
| Emitter-Base Voltage |
| Collector Current |
| Power Dissipation (each transistor) |
| Power Dissipation (total package) |
| Operating and Storage Junction Temperature |

| SYMBOL | | UNITS |
|----------------|-------------|------------------|
| V_{CES} | 70 | V |
| V_{CEO} | 50 | V |
| V_{EBO} | 5.0 | V |
| I_C | 1.0 | A |
| P_D | 1.0 | W |
| P_D | 2.5 | W |
| T_J, T_{stg} | -65 to +150 | $^\circ\text{C}$ |

ELECTRICAL CHARACTERISTICS: ($T_A=25^\circ\text{C}$)

| SYMBOL | TEST CONDITIONS | MIN | MAX | UNITS |
|---------------|---|-----|------|-------|
| I_{CBO} | $V_{CB}=40\text{V}$ | | 500 | nA |
| BV_{CEO} | $I_C=10\text{mA}$ | 50 | | V |
| BV_{CES} | $I_C=100\mu\text{A}$ | 70 | | V |
| BV_{EBO} | $I_E=10\mu\text{A}$ | 5.0 | | V |
| $V_{CE(SAT)}$ | $I_C=500\text{mA}, I_B=50\text{mA}$ | | 0.45 | V |
| $V_{BE(SAT)}$ | $I_C=500\text{mA}, I_B=50\text{mA}$ | 0.8 | 1.0 | V |
| h_{FE} | $V_{CE}=1.0\text{V}, I_C=100\text{mA}$ | 40 | | |
| h_{FE} | $V_{CE}=2.0\text{V}, I_C=500\text{mA}$ | 30 | | |
| f_T | $V_{CE}=10\text{V}, I_C=50\text{mA}, f=100\text{MHz}$ | 200 | | MHz |
| C_{ob} | $V_{CB}=10\text{V}, I_E=0, f=1.0\text{MHz}$ | | 10 | pF |
| C_{ib} | $V_{EB}=0.5\text{V}, I_C=0, f=1.0\text{MHz}$ | | 80 | pF |

TO-116 CASE - MECHANICAL OUTLINE

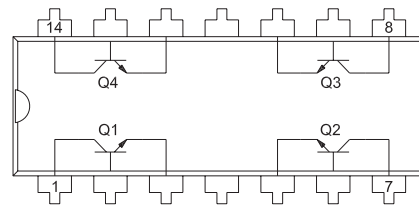


| SYMBOL | INCHES | | MILLIMETERS | |
|--------|--------|-------|-------------|------|
| | MIN | MAX | MIN | MAX |
| A | 0.310 | 0.390 | 7.9 | 9.9 |
| B | 0.008 | 0.014 | 0.2 | 0.4 |
| C | 0.310 | | 7.9 | |
| D | 0.240 | 0.260 | 6.1 | 6.6 |
| E | 0.740 | 0.760 | 18.8 | 19.3 |
| F | - | 0.300 | - | 7.6 |
| G | 0.014 | 0.022 | 0.4 | 0.6 |
| H | 0.050 | | 1.3 | |
| J | 0.100 | | 2.5 | |
| K | 0.125 | 0.150 | 3.2 | 3.8 |
| L | 0.015 | - | 0.4 | - |

TO-116 (REV: R3)

MARKING CODE: FULL PART NUMBER

PIN CONFIGURATION



LEAD CODE:

- | | |
|-----------------|------------------|
| 1) COLLECTOR Q1 | 8) COLLECTOR Q3 |
| 2) BASE Q1 | 9) BASE Q3 |
| 3) EMITTER Q1 | 10) EMITTER Q3 |
| 4) NC | 11) NC |
| 5) EMITTER Q2 | 12) EMITTER Q4 |
| 6) BASE Q2 | 13) BASE Q4 |
| 7) COLLECTOR Q2 | 14) COLLECTOR Q4 |

OUTSTANDING SUPPORT AND SUPERIOR SERVICES



PRODUCT SUPPORT

Central's operations team provides the highest level of support to insure product is delivered on-time.

- Supply management (Customer portals)
- Inventory bonding
- Consolidated shipping options
- Custom bar coding for shipments
- Custom product packing

DESIGNER SUPPORT/SERVICES

Central's applications engineering team is ready to discuss your design challenges. Just ask.

- Free quick ship samples (2nd day air)
- Online technical data and parametric search
- SPICE models
- Custom electrical curves
- Environmental regulation compliance
- Customer specific screening
- Up-screening capabilities
- Special wafer diffusions
- PbSn plating options
- Package details
- Application notes
- Application and design sample kits
- Custom product and package development

REQUESTING PRODUCT PLATING

1. If requesting Tin/Lead plated devices, add the suffix " TIN/LEAD" to the part number when ordering (example: 2N2222A TIN/LEAD).
2. If requesting Lead (Pb) Free plated devices, add the suffix " PBFREE" to the part number when ordering (example: 2N2222A PBFREE).

CONTACT US

Corporate Headquarters & Customer Support Team

Central Semiconductor Corp.
145 Adams Avenue
Hauppauge, NY 11788 USA
Main Tel: (631) 435-1110
Main Fax: (631) 435-1824
Support Team Fax: (631) 435-3388
www.centrasemi.com

Worldwide Field Representatives:
www.centrasemi.com/wwreps

Worldwide Distributors:
www.centrasemi.com/wwdistributors

For the latest version of Central Semiconductor's **LIMITATIONS AND DAMAGES DISCLAIMER**, which is part of Central's Standard Terms and Conditions of sale, visit: www.centrasemi.com/terms