



Chipsmall Limited consists of a professional team with an average of over 10 year of expertise in the distribution of electronic components. Based in Hongkong, we have already established firm and mutual-benefit business relationships with customers from,Europe,America and south Asia,supplying obsolete and hard-to-find components to meet their specific needs.

With the principle of “Quality Parts,Customers Priority,Honest Operation,and Considerate Service”,our business mainly focus on the distribution of electronic components. Line cards we deal with include Microchip,ALPS,ROHM,Xilinx,Pulse,ON,Everlight and Freescale. Main products comprise IC,Modules,Potentiometer,IC Socket,Relay,Connector.Our parts cover such applications as commercial,industrial, and automotives areas.

We are looking forward to setting up business relationship with you and hope to provide you with the best service and solution. Let us make a better world for our industry!



## Contact us

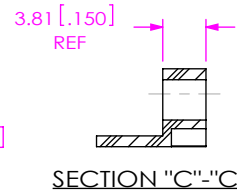
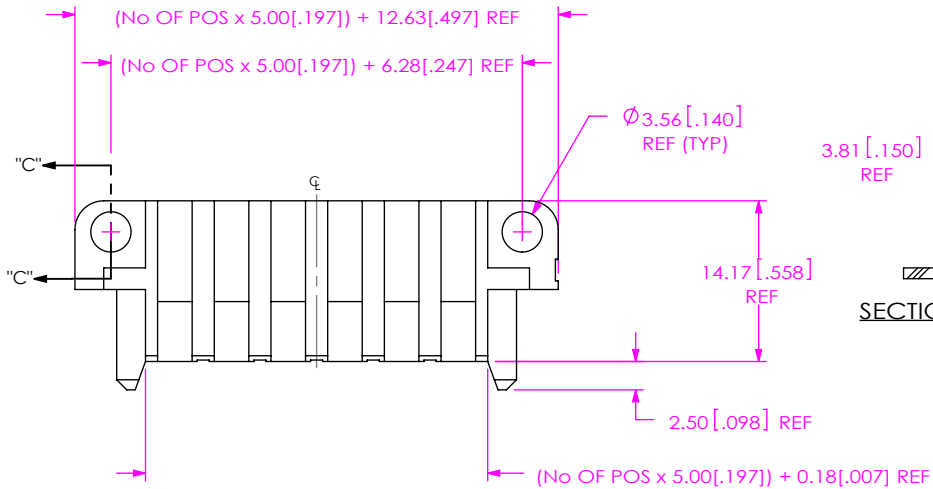
Tel: +86-755-8981 8866 Fax: +86-755-8427 6832

Email & Skype: info@chipsmall.com Web: www.chipsmall.com

Address: A1208, Overseas Decoration Building, #122 Zhenhua RD., Futian, Shenzhen, China



DO NOT  
SCALE FROM  
THIS PRINT



No OF POSITIONS  
-02, -04, -06, -08

LEAD STYLE  
-01

TAIL LENGTH  
-01: FOR 1.57[.062] THICK PCB (USE SUB-C-215-01-X)  
\*\*02: FOR 2.36[.093] THICK PCB (USE SUB-C-215-04-X)  
-03: FOR 2.36[.093] THICK PCB (USE SUB-C-215-04-X)

OPTION  
-SD: SCREW DOWN (SEE FIG 1, SHT 1)  
-LC: LOCKING CLIP (USE LC-07-TM) (SEE FIG 2, SHT 2)  
(LEAVE BLANK FOR STANDARD OPTION) (SEE FIG 3)

RIGHT ANGLE

PLATING SPECIFICATION  
-L: 10μ" GOLD IN CONTACT AREA, MATTE TIN ON TAIL  
-T: MATTE TIN ALL OVER

\*\*=EXISTING CUSTOMERS ONLY

TABLE 1		
TAIL LENGTH	"A"	SUB-C-215-XX-X
-01	2.72[.107]	SUB-C-215-01-X
-03	3.52[.139]	SUB-C-215-04-X

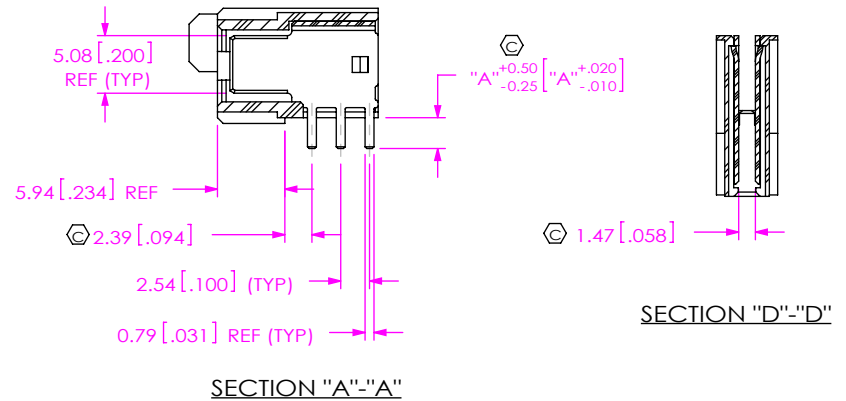
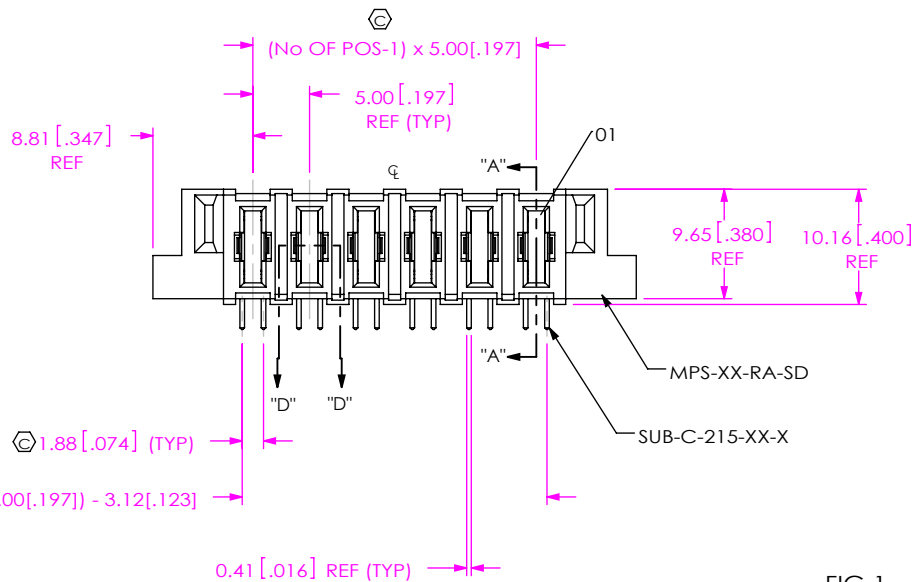
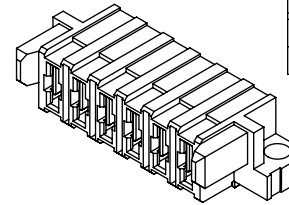


FIG 1  
MPS-06-01-X-RA-SD SHOWN

NOTES:

- ⊕ REPRESENTS A CRITICAL DIMENSION.
- BURR ALLOWANCE: 0.038[.0015] MAX.
- MINIMUM PUSHOUT FORCE: 4.45N[1.0 LB].
- PARTS TO BE PACKAGED IN TRAYS. TERMINAL #1 ORIENTATION ON TRAY DOES NOT APPLY.
- BOW ALLOWED AT 0.075MM[.0030]/25.0MM[.98].
- NOTE DELETED.

UNLESS OTHERWISE SPECIFIED,  
DIMENSIONS ARE IN MILLIMETERS.  
TOLERANCES ARE:  
DECIMALS ANGLES  
X.X: ±0.3 [01] 2°  
X.XX: ±0.13 [005]  
X.XXX: ±0.051 [0020]

PROPRIETARY NOTE  
THIS DOCUMENT CONTAINS CONFIDENTIAL AND PROPRIETARY INFORMATION AND ALL DESIGN, MANUFACTURING, REPRODUCTION, USE, PATENT RIGHTS AND SALES RIGHTS ARE EXPRESSLY RESERVED BY SAMTEC, INC. THIS DOCUMENT SHALL NOT BE DISCLOSED, IN WHOLE OR PART, TO ANY UNAUTHORIZED PERSON OR ENTITY NOR REPRODUCED, TRANSFERRED OR INCORPORATED IN ANY OTHER PROJECT IN ANY MANNER WITHOUT THE EXPRESS WRITTEN CONSENT OF SAMTEC, INC.

MATERIAL: DO NOT SCALE DRAWING  
INSULATOR: LCP, UL 94V-0, COLOR: BLACK  
CONTACT: COPPER ALLOY

SHEET SCALE: 1:5:1

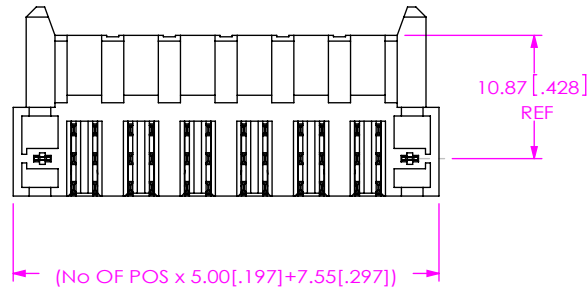
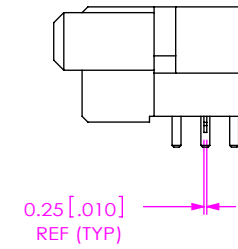
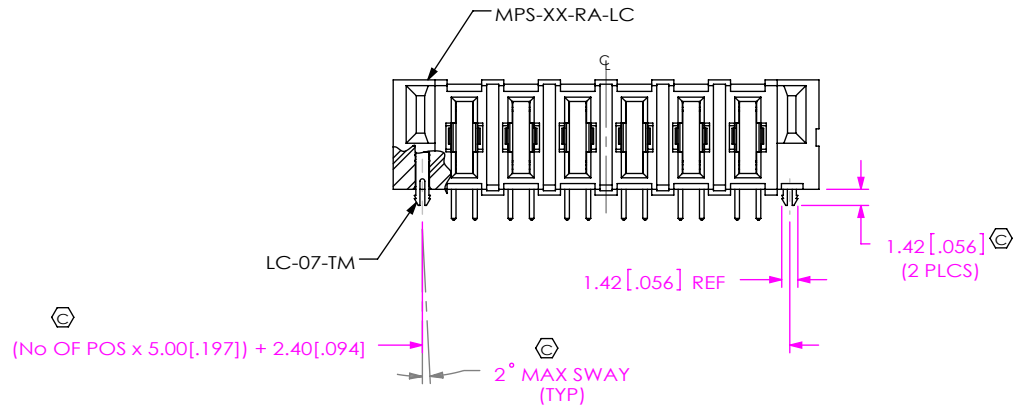
**samtec**

520 PARK EAST BLVD, NEW ALBANY, IN 47150  
PHONE: 812-944-6733 FAX: 812-948-5047  
e-Mail: info@SAMTEC.com code: 55322

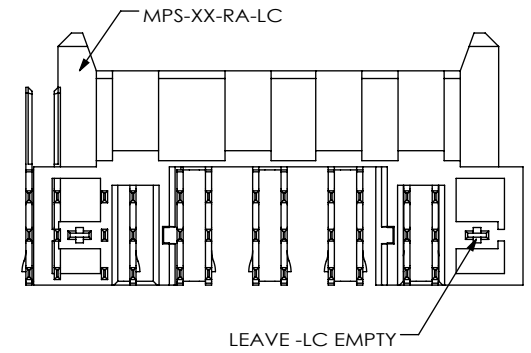
DESCRIPTION:  
RIGHT ANGLE MINI-POWER SOCKET

DWG. NO.  
MPS-XX-01-XX-X-RA-XX

BY: BRATCHER 2/15/2007 SHEET 1 OF 2



**FIG 2**  
MPS-06-01-X-RA-LC SHOWN  
(SAME AS FIG 1, UNLESS OTHERWISE STATED)



**FIG 3**  
MPS-06-01-X-RA SHOWN  
(SAME AS FIG 2, UNLESS OTHERWISE STATED)

**PROPRIETARY NOTE**  
THIS DOCUMENT CONTAINS CONFIDENTIAL AND PROPRIETARY INFORMATION AND ALL DESIGN, MANUFACTURING, REPRODUCTION, USE, PATENT RIGHTS AND SALES RIGHTS ARE EXPRESSLY RESERVED BY SAMTEC, INC. THIS DOCUMENT SHALL NOT BE DISCLOSED, IN WHOLE OR PART, TO ANY UNAUTHORIZED PERSON OR ENTITY NOR REPRODUCED, TRANSFERRED OR INCORPORATED IN ANY OTHER PROJECT IN ANY MANNER WITHOUT THE EXPRESS WRITTEN CONSENT OF SAMTEC, INC.

DO NOT SCALE DRAWING

SHEET SCALE: 1.5:1

**samtec**

520 PARK EAST BLVD, NEW ALBANY, IN 47150  
PHONE: 812-944-6733 FAX: 812-948-5047  
e-Mail: info@SAMTEC.com code: 55322

DESCRIPTION: RIGHT ANGLE MINI-POWER SOCKET

DWG. NO. **MPS-XX-01-XX-X-RA-XX**

BY: BRATCHER 2/15/2007 SHEET 2 OF 2