



Chipsmall Limited consists of a professional team with an average of over 10 year of expertise in the distribution of electronic components. Based in Hongkong, we have already established firm and mutual-benefit business relationships with customers from,Europe,America and south Asia,supplying obsolete and hard-to-find components to meet their specific needs.

With the principle of "Quality Parts,Customers Priority,Honest Operation,and Considerate Service",our business mainly focus on the distribution of electronic components. Line cards we deal with include Microchip,ALPS,ROHM,Xilinx,Pulse,ON,Everlight and Freescale. Main products comprise IC,Modules,Potentiometer,IC Socket,Relay,Connector.Our parts cover such applications as commercial,industrial, and automotives areas.

We are looking forward to setting up business relationship with you and hope to provide you with the best service and solution. Let us make a better world for our industry!



Contact us

Tel: +86-755-8981 8866 Fax: +86-755-8427 6832

Email & Skype: info@chipsmall.com Web: www.chipsmall.com

Address: A1208, Overseas Decoration Building, #122 Zhenhua RD., Futian, Shenzhen, China

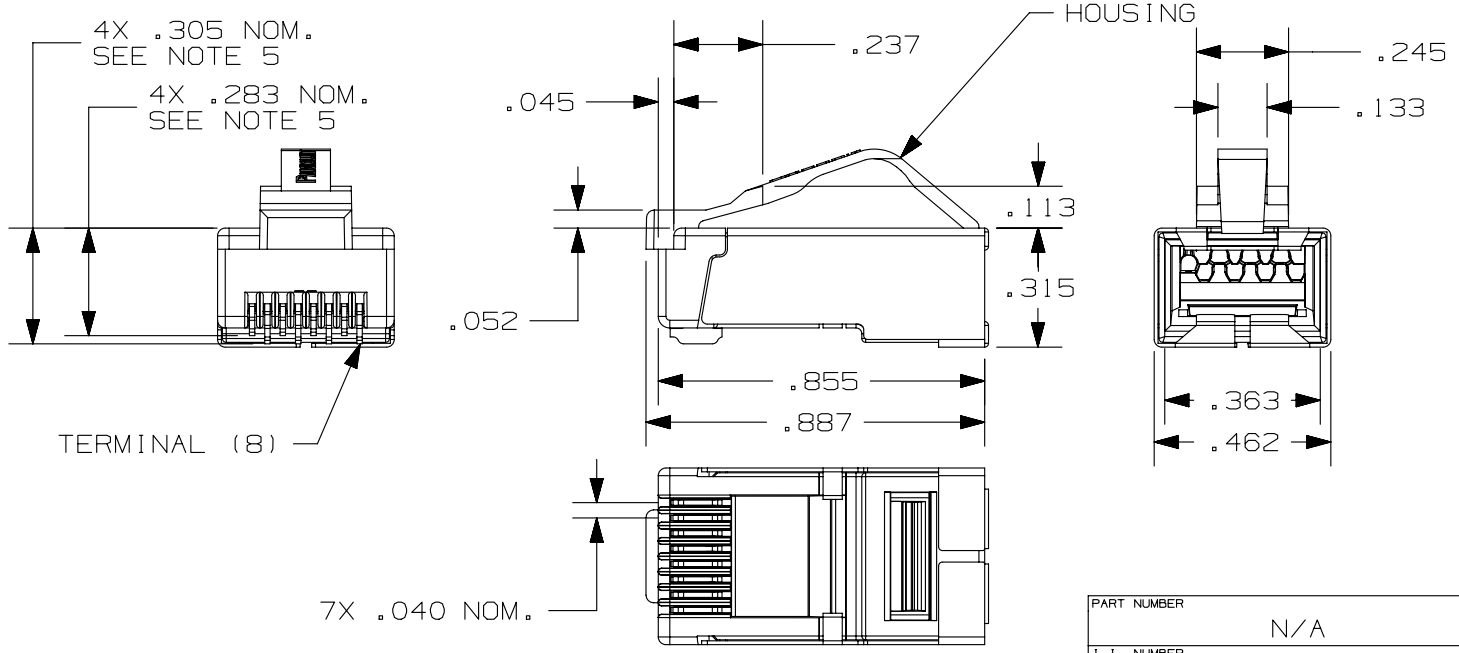


THIS COPY IS PROVIDED ON A RESTRICTED BASIS AND IS NOT TO BE USED IN ANY WAY DETRIMENTAL TO THE INTERESTS OF PANDUIT CORP.

NOTES:

1. PART NUMBER: SEE TABLE.
2. MATERIAL: HOUSING - THERMOPLASTIC UL94V-0 RATED;
TERMINAL - PHOSPHOR BRONZE ELECTRO-POLISHED AND
PLATED WITH .000050" MIN. GOLD IN MATING AREA, GOLD
FLASH OVER REMAINDER, .000100" MIN. NICKEL UNDERPLATE.
SHIELD - CATRIDGE BRASS WITH .000100" MIN. OF NICKEL.
3. PLUG ACCEPTS 4-PAIR CABLE .210"-.250" DIAMETER CABLE
WITH 24-26 AWG STRANDED OR SOLID CONDUCTOR WITH
MAXIMUM INSULATOR DIAMETER OF .040"
4. ALL DIMENSIONS MAXIMUM UNLESS OTHERWISE SPECIFIED.
5. TERMINATED CONTACT HEIGHT: .237±.005"

PART NO.	PACKAGED	WEIGHT
MPS588-C	100/BAG	.55 LB/100 PCS (250 g/100 PCS)



PART NUMBER	N/A	PRODUCT SPEC/PKG SPEC	N/A
I.I. NUMBER	N/A	WORK INSTRUCTION	N/A

TITLE
SHIELDED PAN-PLUG HIGH PERFORMANCE MODULAR PLUG
 CUSTOMER DRAWING

ITEM REVISION NAME
D35123AN/03

DATASET FILE NAME
D35123AN_DC19/03A



UNLESS OTHERWISE SPECIFIED,
 DIMENSIONAL TOLERANCES ARE: IN [mm]

.x ± .1 [2.54] .xxx ± .005 [.127]
 .xx ± .01 [.25] ANGLES ± 5 °

DRAWING NUMBER:
35123-19

THIRD ANGLE PROJECTION	DRAWN BY LZ	DATE 11-14-00	CHK RAV	SCALE 1 TO 1	SHT 1 OF 1	SIZE A
------------------------	-----------------------	-------------------------	-------------------	------------------------	------------	------------------

REV	DATE	BY	CHK	APR	DESCRIPTION	ECN
5	9/5/13	BJN	SCAL	EJH	UPDATED REVISED & REDRAWN PREVIOUS REVS REMVD FOR CLARITY	35123-19

D10100DA/14