



Chipsmall Limited consists of a professional team with an average of over 10 year of expertise in the distribution of electronic components. Based in Hongkong, we have already established firm and mutual-benefit business relationships with customers from,Europe,America and south Asia,supplying obsolete and hard-to-find components to meet their specific needs.

With the principle of "Quality Parts,Customers Priority,Honest Operation,and Considerate Service",our business mainly focus on the distribution of electronic components. Line cards we deal with include Microchip,ALPS,ROHM,Xilinx,Pulse,ON,Everlight and Freescale. Main products comprise IC,Modules,Potentiometer,IC Socket,Relay,Connector.Our parts cover such applications as commercial,industrial, and automotives areas.

We are looking forward to setting up business relationship with you and hope to provide you with the best service and solution. Let us make a better world for our industry!



Contact us

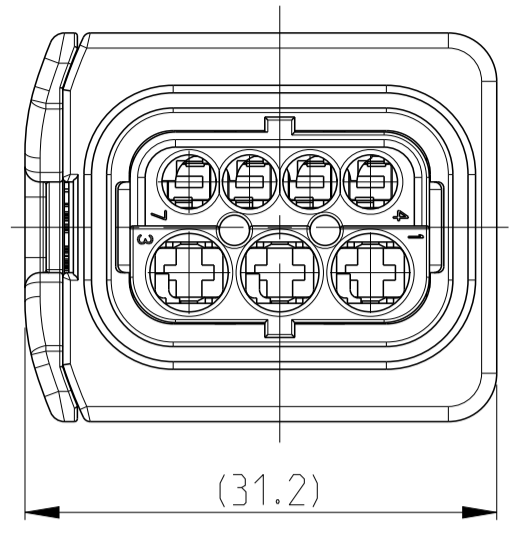
Tel: +86-755-8981 8866 Fax: +86-755-8427 6832

Email & Skype: info@chipsmall.com Web: www.chipsmall.com

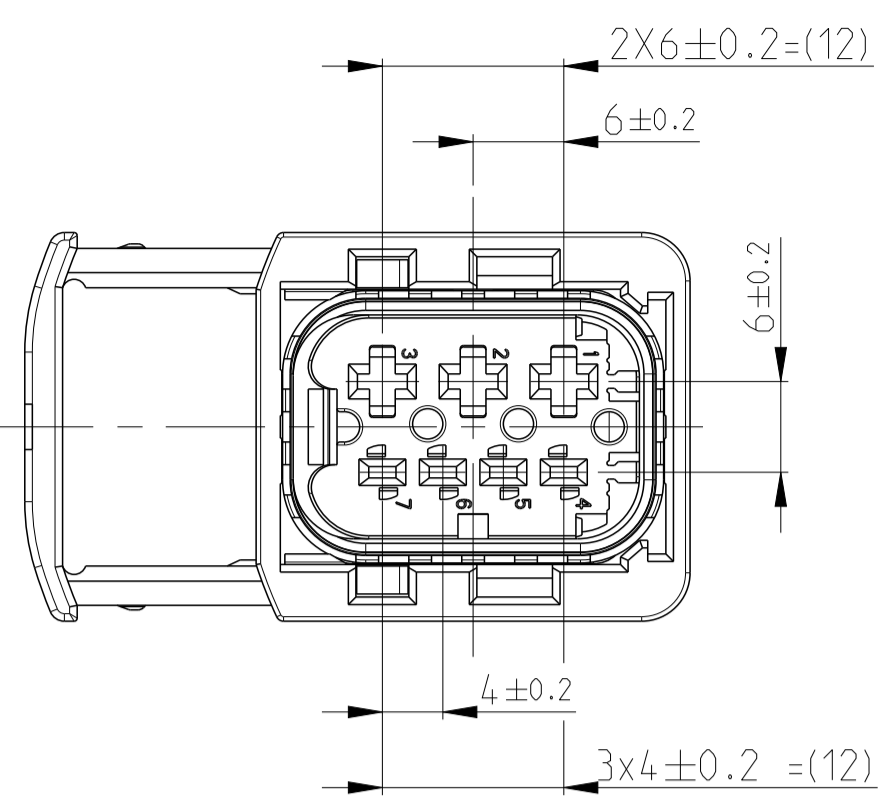
Address: A1208, Overseas Decoration Building, #122 Zhenhua RD., Futian, Shenzhen, China



SLIDE IN LOCKED POSITION
Schieber in Verriegelungsposition

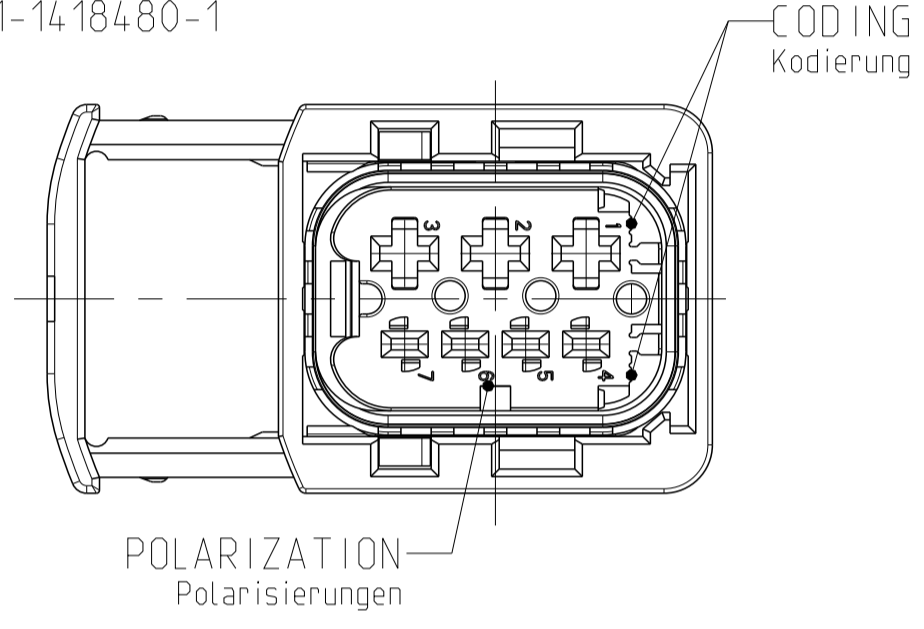


DELIVERY CONDITION:
Lieferzustand:
SECONDARY LOCKING AND SLIDE
IN PRE-LOCKED POSITION
2. Kontaktsicherung und Schieber
in Vorraststellung



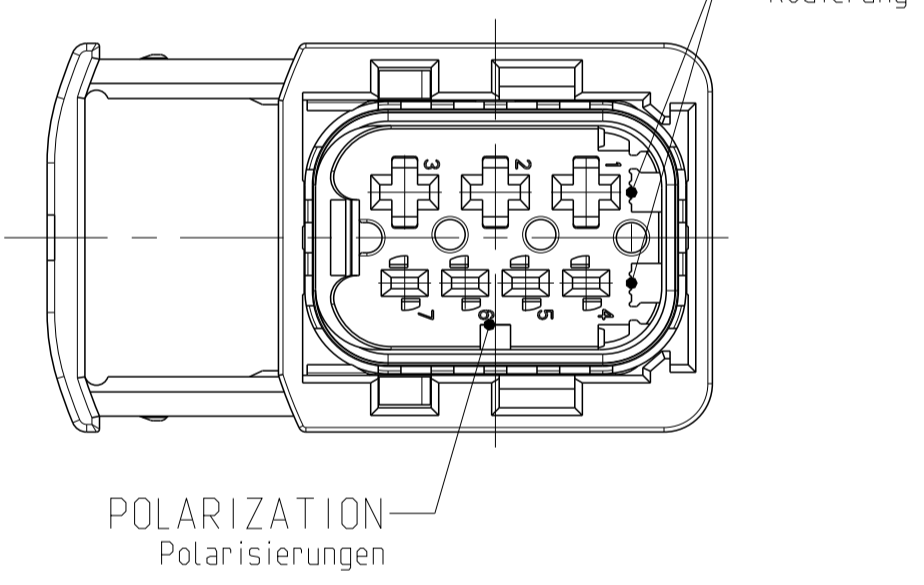
CODING A
Kodierung

PN 1-1418480-1



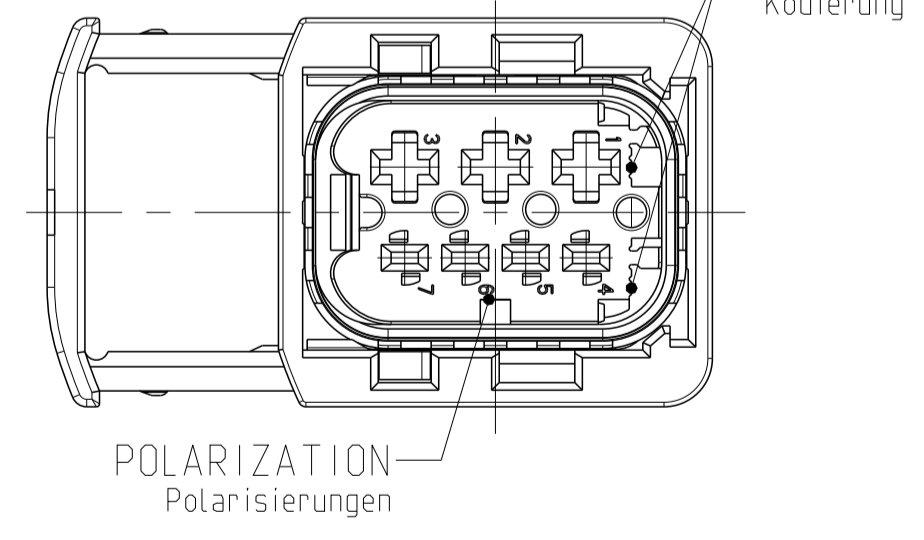
CODING B
Kodierung

PN 2-1418480-1



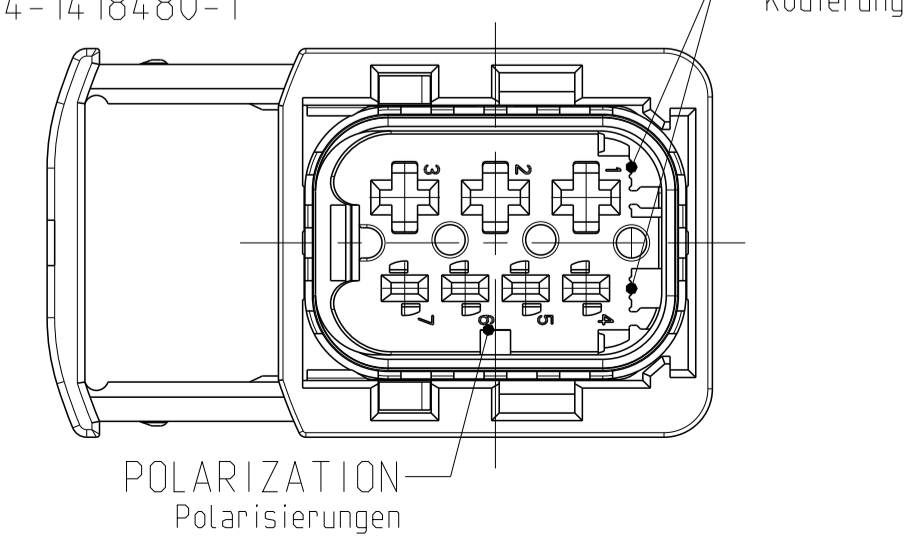
CODING C
Kodierung

PN 3-1418480-1

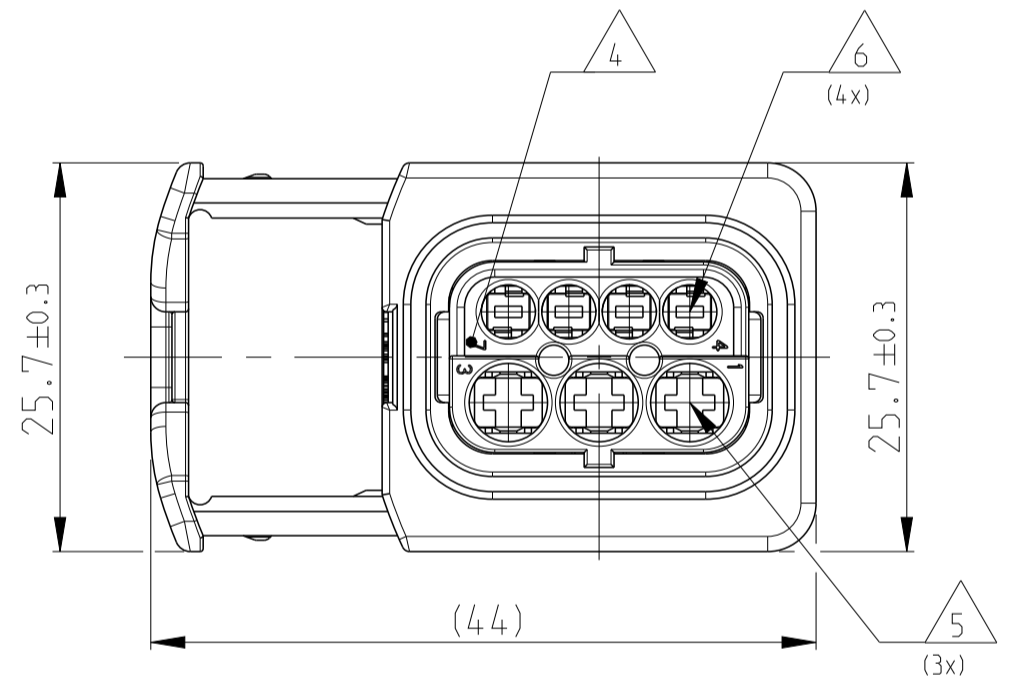
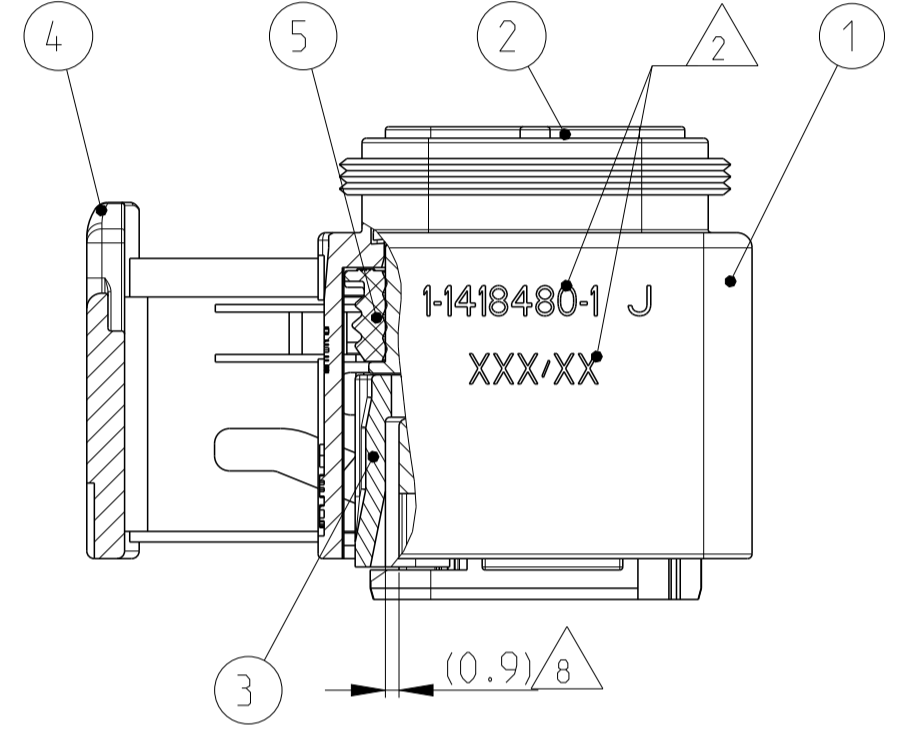


CODING D
Kodierung

PN 4-1418480-1



SECTION A-A
Schnitt



1-1418480-1 AS SHOWN
1-1418480-1 wie gezeigt

REV.	DATE	BY	CHKD	DESCRIPTION
J1	15MAY2015	SK	Krauss	ECR-15-007756
J2	28APR2016	MAH.	GILLC	DETAILS SEE PCN E-16-001359

NOTES
Bemerkungen

- 1 TE LOGO
TE Logo
- 2 ASSY PN, PRODUCTION DATE (CALENDAR DAY/YEAR); MARKING OPTIONAL AS LASER ENGRAVING OR LASER WITH COLOR CHANGE
Assy PN, Produktionsdatum (Kalendertag/Jahr); Beschriftung wahlweise als Lasergravur oder Laser mit Farbumschlag
- 3 BULK PACKAGING IN CORRUGATED BOX
Schuetzgut im Versandkarton
- 4 CAVITY NUMBERING
Kammer Bezeichnung
- 5 CAVITIES MATED WITH AMP MCP 2.8
SEE PRODUCT GROUP DRAWING
TE NO: 1355036
MAX. WIRE SIZE: 2.5mm² FLR (AWG 12 TXL)
Kontaktkammern passend fuer AMP MCP 2.8
siehe Produktgruppenzeichnung
TE Nr: 1355036
max. Drahtgroessenbereich: 2.5mm² FLR (AWG 12 TXL)
- 6 CAVITIES MATED WITH AMP MCP 1.5k
SEE PRODUCT GROUP DRAWING
TE NO: 1241436
MAX. WIRE SIZE: 1.5mm² FLR
STANDARD APPLICATION:
AT TEMPERATURE UP TO 120 DEGREE CELSIUS.
PN 0-964972-1, WIRE SIZE: 1.5mm² FLR (AWG 16 TXL)
BUT SLIGHTLY HINDERED MOUNTING.
RECOMMENDATION FOR APPLICATION TEMPERATURES UP TO 140 DEGREE CELSIUS, SINGLE WIRE SEAL
PN 0-964972-1, WIRE SIZE: 1.5mm² FLR (AWG 16 TXL)
BUT SLIGHTLY HINDERED MOUNTING.
Kontaktkammern passend fuer AMP MCP 1.5k
siehe Produktgruppenzeichnung
TE Nr: 1241436
max. Drahtgroessenbereich: 1.5mm² FLR
Standard Anwendung:
Bei Einsatztemperatur bis 120°C
Bei Einsatztemperatur bis 140°C empfehlen wir bei dem Drahtgroessenbereich 1.5mm² FLR (AWG 16 TXL) die Einzeleiterdichtung PN 964972-1, jedoch mit leicht erschwerten Bestueckbarkeit.
- 7 SUITABLE COVERS SEE DRAWING: 1670057, 1670364
Passende Kappen siehe Zeichnung: 1670057, 1670364
- 8 SLIDING DISTANCE OF SECONDARY LOCKING
Verschiebeweg der 2. Kontaktsicherung
- 9 FITS TO TE INTERFACE DRAWING 114-18740-1
Passend zur Ausfuehrungsvorschrift 114-18740-1
- 10 SUITABLE COUNTERPART SEE DRAWING: 1670214, 1703648
passendes Gegenstueck siehe Zeichnung: 1670214, 1703648
- 11 MALFUNCTION CAUSED BY LACQUER IS NOT COVERED BY TE WARRANTY.
Funktionsbeeintraechtigung durch Lackieren liegt nicht im Einfluss und Gewaehrleistungsumfang von TE.

J2

1	RECEPTACLE HOUSING Buchsengehäuse	BLACK schwarz	DESCRIPTION Beschreibung	ITEM NO
2	7POS. CAVITY BLOCK, CODE, "A" 7pol. Kammerblock, Kodierung, "A"	BLACK schwarz		
2	7POS. CAVITY BLOCK, CODE, "C" 7pol. Kammerblock, Kodierung, "C"	GREEN gruen		
2	7POS. CAVITY BLOCK, CODE, "D" 7pol. Kammerblock, Kodierung, "D"	BLUE blau		
3	7POS. CAVITY BLOCK, CODE, "D" 7pol. Kammerblock, Kodierung, "D"	BLACK schwarz		
4	U-SLIDE U-Schieber	YELLOW gelb		
5	SEAL Dichtung	WHITE weiss		

TE ORDER-NO. TE Bestell-Nr.	REV.	NO.OF POS. Polzahl	CODE Kodierung	COLOR OF CAVITY BLOCK Farbe des Kammerblocks	QUANTITY Stueck	ITEM NO ASSY
4-1418480-1	J	7	D	BLUE blau	1	4
3-1418480-1	J	7	C	GREEN gruen	1	3
2-1418480-1	J	7	B	GREY grau	1	2
1-1418480-1	J	7	A	BLACK schwarz	1	1

THIS DRAWING IS A CONTROLLED DOCUMENT.		OWN D. Bischoff	13APR2006
OTHER INFORMATION: SEE TABLE		CHK J. Grandow	25APR2006
DIMENSIONS: MILLIMETERS		APVD E. Eberwein	28AUG2006
TOLERANCES: UNLESS OTHERWISE SPECIFIED:		NAME	7POS. AMP MCP 2.8/1.5K, REC HSG. ASSY
FRACTIONAL DECIMALS		PRODUCT SPEC	7pos. AMP MCP 2.8/1.5K, Buchsengehäuse
DECIMALS		PRODUCT SPEC	HDSCS - GROUP C
ANGLES		APPLICATION SPEC	
FINISHES		VERARBEITUNGSZUG	
FINISH COATINGS		SCALE	2:1
FINISH COATINGS		WEIGHT	18.2g
FINISH COATINGS		Customer Drawing	

SCALE	2:1	SHEET	1	OF	1	REV	J2
-------	-----	-------	---	----	---	-----	----

