



Chipsmall Limited consists of a professional team with an average of over 10 year of expertise in the distribution of electronic components. Based in Hongkong, we have already established firm and mutual-benefit business relationships with customers from,Europe,America and south Asia,supplying obsolete and hard-to-find components to meet their specific needs.

With the principle of “Quality Parts,Customers Priority,Honest Operation,and Considerate Service”,our business mainly focus on the distribution of electronic components. Line cards we deal with include Microchip,ALPS,ROHM,Xilinx,Pulse,ON,Everlight and Freescale. Main products comprise IC,Modules,Potentiometer,IC Socket,Relay,Connector.Our parts cover such applications as commercial,industrial, and automotives areas.

We are looking forward to setting up business relationship with you and hope to provide you with the best service and solution. Let us make a better world for our industry!



Contact us

Tel: +86-755-8981 8866 Fax: +86-755-8427 6832

Email & Skype: info@chipsmall.com Web: www.chipsmall.com

Address: A1208, Overseas Decoration Building, #122 Zhenhua RD., Futian, Shenzhen, China



DO NOT SCALE FROM THIS PRINT

DESIGNED & DIMENSIONED IN MILLIMETERS

MPT-XX-01-XX-X-RA-XX

No OF POSITIONS
-02, -03, -04, -06, -08

LEAD STYLE
-01

TAIL LENGTH
-01: FOR 1.57 [.062] THICK PCB (USE SUB-T-1M40-01-X)
-03: FOR 2.36 [.093] THICK PCB (USE SUB-T-1M40-03-X)

OPTION (SEE NOTE 7)
(LEAVE BLANK FOR STANDARD OPTION) (SEE FIG 3, SHT 2)
-SD: SCREW DOWN (SEE FIG 1, SHT 1)
-LC: LOCKING CLIP (USE LC-07-TM) (SEE FIG 2, SHT 2)
RIGHT ANGLE

PLATING SPECIFICATION
-L: 10µ" GOLD IN CONTACT AREA, MATTE TIN ON TAIL
-T: MATTE TIN CONTACT AND TAIL

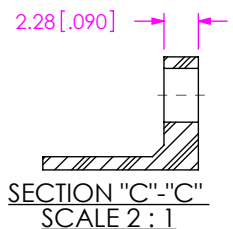
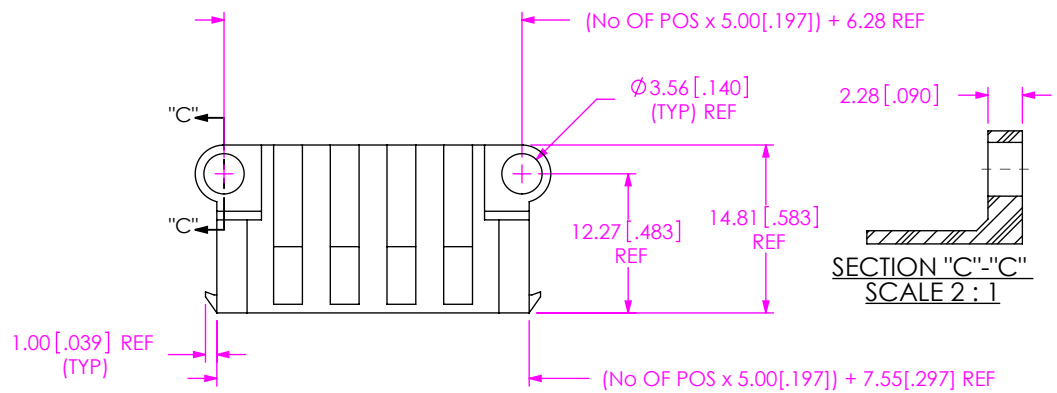


TABLE 1		
STYLE	"A"	SUB-T-1M40-XX-X
-01	2.72 [.107]	SUB-T-1M40-01-X
-03	3.51 [.138]	SUB-T-1M40-03-X

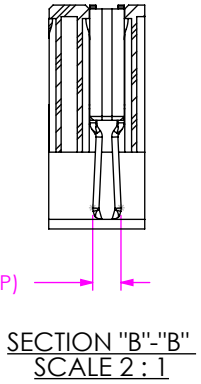
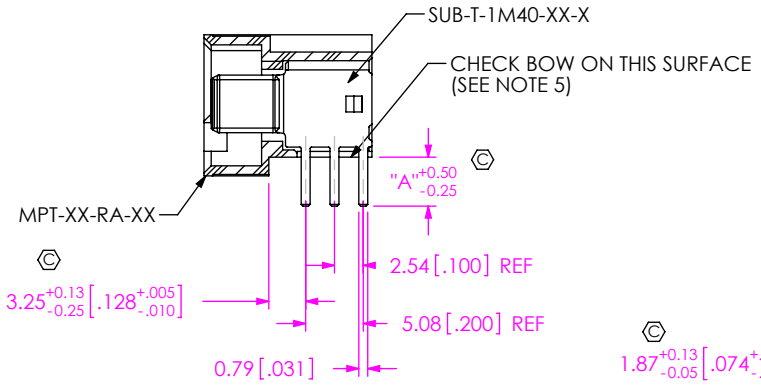
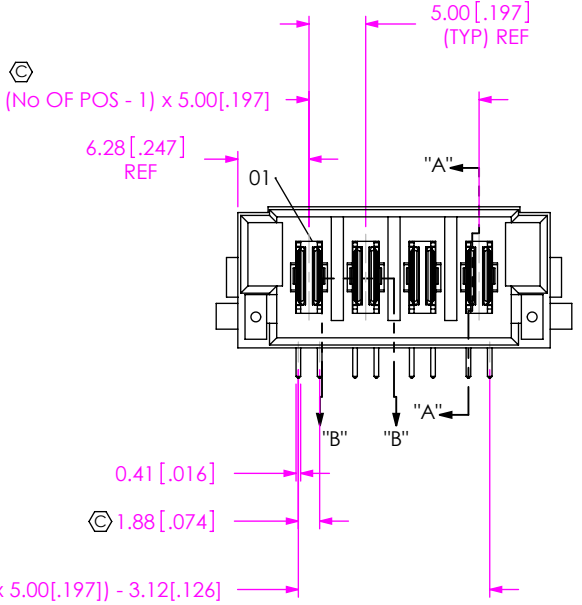
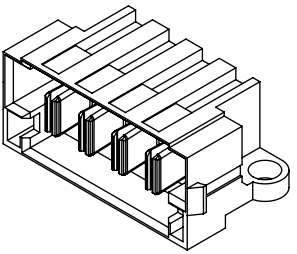


FIG 1
MPT-04-01-X-RA-SD SHOWN



- NOTES:
- ⑥ REPRESENTS A CRITICAL DIMENSION.
 - BURR ALLOWANCE: 0.038 [.0015] MAX.
 - MINIMUM PUSHOUT FORCE: 4.45N [1 LB].
 - PARTS TO BE PACKAGED IN TRAYS.
 - BOW ALLOWED AT 0.051 MM/MM [.002 IN/IN]
 - MINIMUM -LC PULLOUT FORCE: 2.23N [0.5LB]
 - AS OF REV K SAMTEC WILL ONLY SUPPORT EXISTING BUSINESS WITHOUT -SD OR -LC OPTION SELECTED.

UNLESS OTHERWISE SPECIFIED, DIMENSIONS ARE IN MILLIMETERS.
 TOLERANCES ARE:
 DECIMALS ANGLES
 .X: ± 0.3 [.01] 2°
 .XX: ± 0.13 [.005]
 .XXX: ± 0.051 [.0020]

PROPRIETARY NOTE
 THIS DOCUMENT CONTAINS CONFIDENTIAL AND PROPRIETARY INFORMATION AND ALL DESIGN, MANUFACTURING, REPRODUCTION, USE, PATENT RIGHTS AND SALES RIGHTS ARE EXPRESSLY RESERVED BY SAMTEC, INC. THIS DOCUMENT SHALL NOT BE DISCLOSED, IN WHOLE OR PART, TO ANY UNAUTHORIZED PERSON OR ENTITY NOR REPRODUCED, TRANSFERRED OR INCORPORATED IN ANY OTHER PROJECT IN ANY MANNER WITHOUT THE EXPRESS WRITTEN CONSENT OF SAMTEC, INC.

MATERIAL: DO NOT SCALE DRAWING SHEET SCALE: 1:0.666667
 INSULATOR: LCP. COLOR: BLACK
 CONTACT: COPPER ALLOY
 LOCKING CLIP: COPPER ALLOY

F:\DWG\MISC\MKTG\MPT-XX-01-XX-X-RA-XX-MKT.SLDDRW

520 PARK EAST BLVD. NEW ALBANY, IN 47150
 PHONE: 812-944-6733 FAX: 812-948-5047
 e-Mail: info@SAMTEC.com code: 55322

DESCRIPTION:
 RIGHT ANGLE POWER TERMINAL

DWG. NO.
 MPT-XX-01-XX-X-RA-XX

BY: CLAY W 1/31/2007 SHEET 1 OF 2

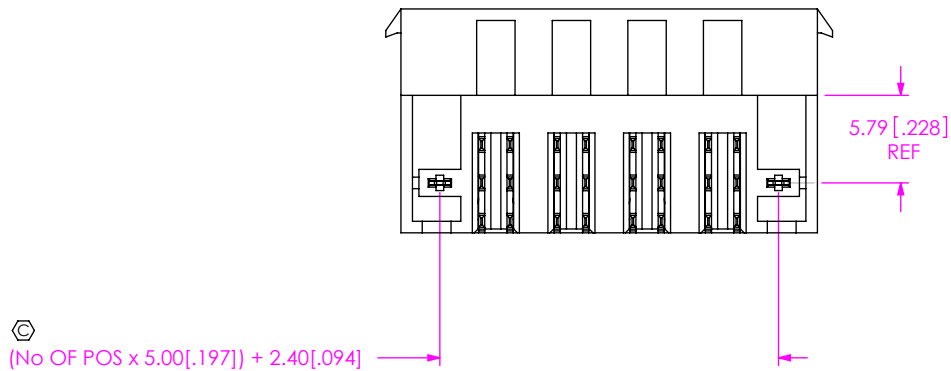
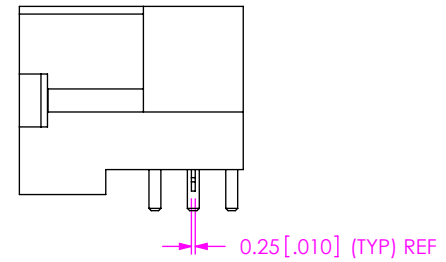
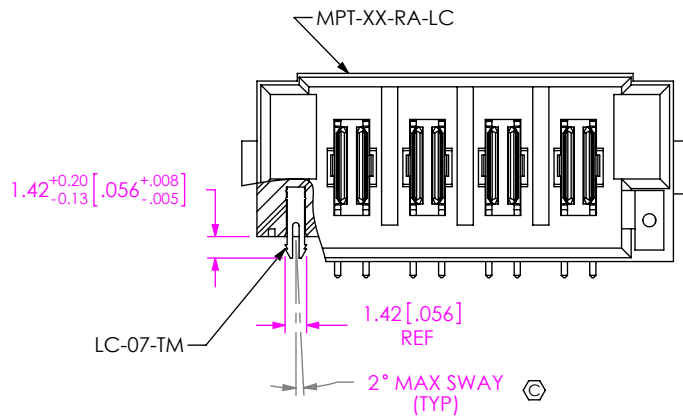


FIG 2
MPT-04-01-X-RA-LC SHOWN
(DIFFERENT AS SHOWN, OTHERWISE SAME AS FIG 1)

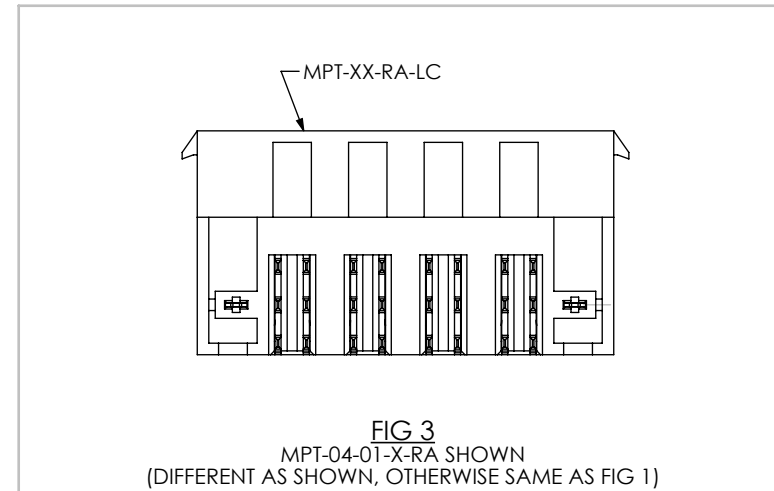


FIG 3
MPT-04-01-X-RA SHOWN
(DIFFERENT AS SHOWN, OTHERWISE SAME AS FIG 1)

PROPRIETARY NOTE
 THIS DOCUMENT CONTAINS CONFIDENTIAL AND PROPRIETARY INFORMATION AND ALL DESIGN, MANUFACTURING, REPRODUCTION, USE, PATENT RIGHTS AND SALES RIGHTS ARE EXPRESSLY RESERVED BY SAMTEC, INC. THIS DOCUMENT SHALL NOT BE DISCLOSED, IN WHOLE OR PART, TO ANY UNAUTHORIZED PERSON OR ENTITY NOR REPRODUCED, TRANSFERRED OR INCORPORATED IN ANY OTHER PROJECT IN ANY MANNER WITHOUT THE EXPRESS WRITTEN CONSENT OF SAMTEC, INC.

samtec
 520 PARK EAST BLVD, NEW ALBANY, IN 47150
 PHONE: 812-944-6733 FAX: 812-948-5047
 e-Mail: info@SAMTEC.com code: 55322

DO NOT SCALE DRAWING
 SHEET SCALE: 2:1

DESCRIPTION:
 RIGHT ANGLE POWER TERMINAL
 DWG. NO.
 MPT-XX-01-XX-X-RA-XX
 BY: CLAY W 1/31/2007 SHEET 2 OF 2