



Chipsmall Limited consists of a professional team with an average of over 10 year of expertise in the distribution of electronic components. Based in Hongkong, we have already established firm and mutual-benefit business relationships with customers from,Europe,America and south Asia,supplying obsolete and hard-to-find components to meet their specific needs.

With the principle of “Quality Parts,Customers Priority,Honest Operation,and Considerate Service”,our business mainly focus on the distribution of electronic components. Line cards we deal with include Microchip,ALPS,ROHM,Xilinx,Pulse,ON,Everlight and Freescale. Main products comprise IC,Modules,Potentiometer,IC Socket,Relay,Connector.Our parts cover such applications as commercial,industrial, and automotives areas.

We are looking forward to setting up business relationship with you and hope to provide you with the best service and solution. Let us make a better world for our industry!



Contact us

Tel: +86-755-8981 8866 Fax: +86-755-8427 6832

Email & Skype: info@chipsmall.com Web: www.chipsmall.com

Address: A1208, Overseas Decoration Building, #122 Zhenhua RD., Futian, Shenzhen, China



DO NOT SCALE FROM THIS PRINT

DESIGNED & DIMENSIONED IN MILLIMETERS

MPT-XX-6.30-XX-X-V-XX

No OF POSITIONS
-02, -03, -04, -06, -08

HEIGHT
-6.30: 6.30 MM

TAIL LENGTH
-01: FOR 1.57[.062] THICK PCB (USE SUB-T-1M39-XX.XX-01-X)
-03: FOR 2.36[.093] THICK PCB (USE SUB-T-1M39-XX.XX-03-X)

OPTION
-LC: LOCKING CLIP (SEE FIG 2, SHT 2)

VERTICAL

PLATING SPECIFICATION
-L: SEE TABLE 2, SHT 2
-T: SEE TABLE 2, SHT 2

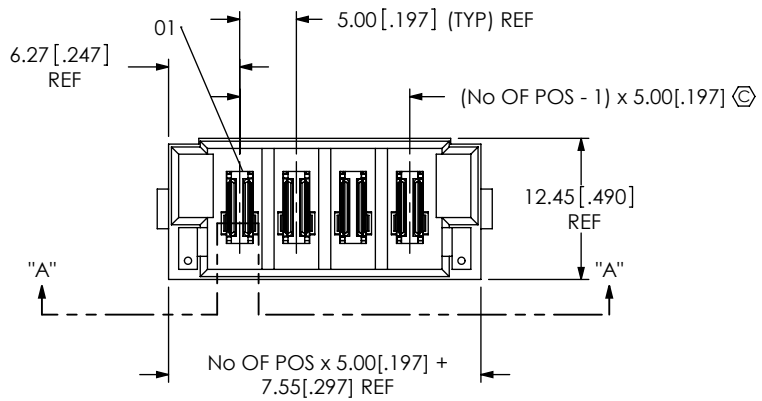


TABLE 1

STYLE	"A"	SUB-T-1M39-XX.XX-XX-X
-01	2.72[.107]	SUB-T-1M39-06.30-01-X
-03	3.51[.138]	SUB-T-1M39-06.30-03-X

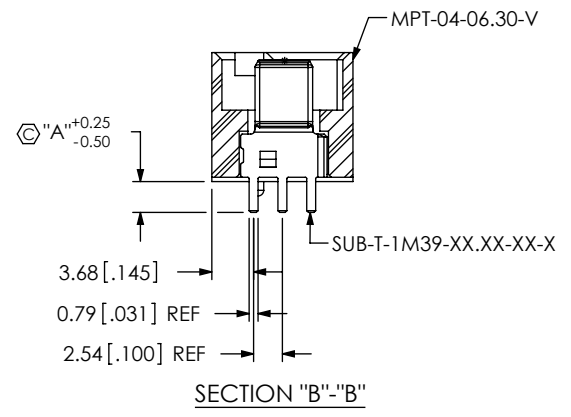
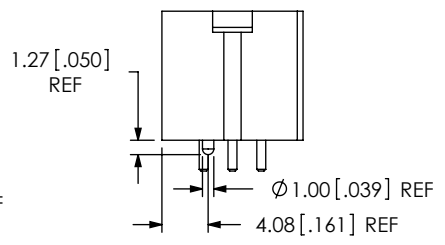
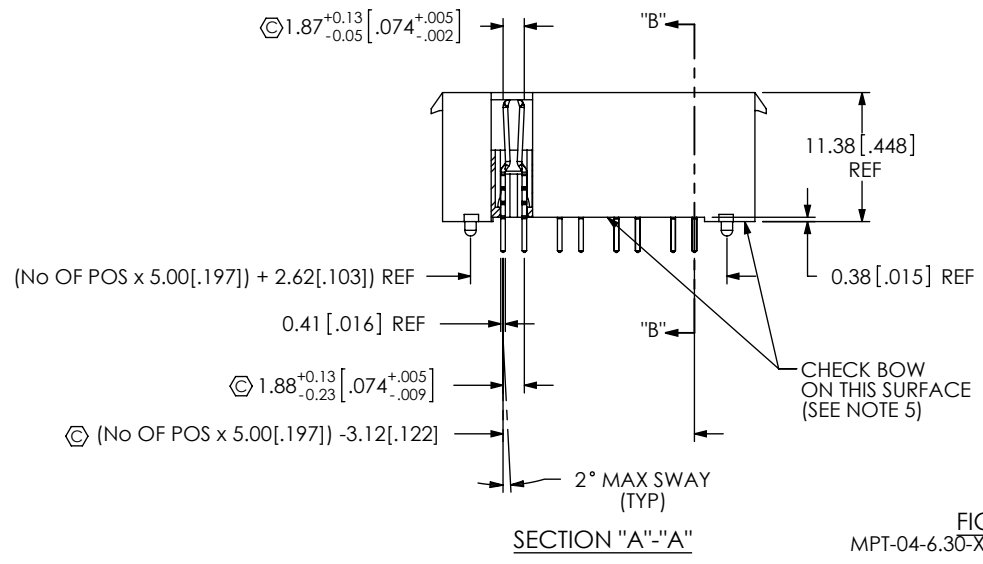
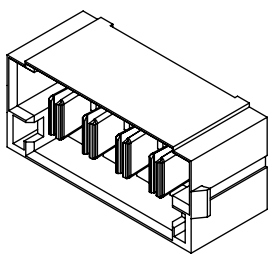


FIG 1
MPT-04-6.30-XX-X-V SHOWN



- NOTES:
- ⊙ REPRESENTS A CRITICAL DIMENSION.
 - BURR ALLOWANCE: 0.038[.0015] MAX.
 - MINIMUM PUSHOUT FORCE: 4.45N[1.0 LB].
 - PARTS TO BE PACKAGED IN TRAYS.
 - ⊙ BOW ALLOWED AT .051MM/25MM [.002 IN/IN]
 - MINIMUM -LC PULL OUT FORCE: 2.23N [0.5LB]

UNLESS OTHERWISE SPECIFIED, DIMENSIONS ARE IN MILLIMETERS. TOLERANCES ARE:

DECIMALS	ANGLES
.X: ±0.3 [.01]	2°
.XX: ±0.13 [.005]	
.XXX: ±0.051 [.0020]	

PROPRIETARY NOTE
THIS DOCUMENT CONTAINS INFORMATION CONFIDENTIAL AND PROPRIETARY TO SAMTEC, INC. AND SHALL NOT BE REPRODUCED OR TRANSFERRED TO OTHER DOCUMENTS OR DISCLOSED TO OTHERS OR USED FOR ANY PURPOSE OTHER THAN THAT WHICH IT WAS OBTAINED WITHOUT THE EXPRESSED WRITTEN CONSENT OF SAMTEC, INC.

520 PARK EAST BLVD. NEW ALBANY, IN 47150
PHONE: 812-944-6733 FAX: 812-948-5047
e-Mail: info@SAMTEC.com code: 55322

MATERIAL: DO NOT SCALE DRAWING SHEET SCALE: 1:0.6
INSULATOR: LCP, UL 94V-O COLOR: BLACK
TERMINAL: COPPER ALLOY

DESCRIPTION:
VERTICAL POWER TERMINAL

DWG. NO.
MPT-XX-6.30-XX-X-V-XX

BY: CLAY W 2/2/2007 SHEET 1 OF 2

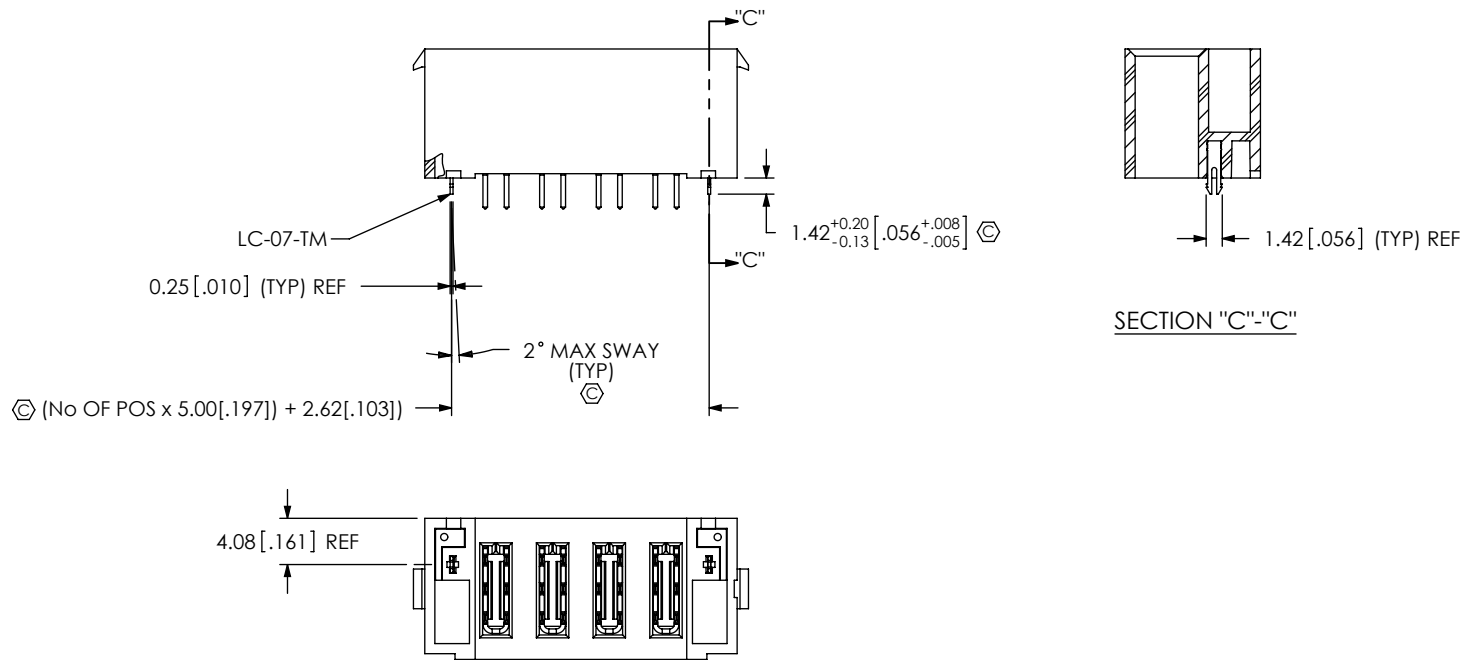


FIG 2
MPT-04-6.30-XX-X-V-LC SHOWN
(SAME AS FIG 1, UNLESS OTHERWISE STATED)

TABLE 2		
PLATING	POWER PIN CONTACT AREA	POWER PIN TAIL
-L	10μ GOLD	MATTE TIN
-T	MATTE TIN	MATTE TIN

PROPRIETARY NOTE
THIS DOCUMENT CONTAINS INFORMATION CONFIDENTIAL AND PROPRIETARY TO SAMTEC, INC. AND SHALL NOT BE REPRODUCED OR TRANSFERRED TO OTHER DOCUMENTS OR DISCLOSED TO OTHERS OR USED FOR ANY PURPOSE OTHER THAN THAT WHICH IT WAS OBTAINED WITHOUT THE EXPRESSED WRITTEN CONSENT OF SAMTEC, INC.

DO NOT SCALE DRAWING

samtec

520 PARK EAST BLVD, NEW ALBANY, IN 47150
PHONE: 812-944-6733 FAX: 812-948-5047
e-Mail: info@SAMTEC.com code: 55322

DESCRIPTION: VERTICAL POWER TERMINAL

DWG. NO. MPT-XX-6.30-XX-X-V-XX

BY: CLAY W 2/2/2007 SHEET 2 OF 2