



Chipsmall Limited consists of a professional team with an average of over 10 year of expertise in the distribution of electronic components. Based in Hongkong, we have already established firm and mutual-benefit business relationships with customers from,Europe,America and south Asia,supplying obsolete and hard-to-find components to meet their specific needs.

With the principle of “Quality Parts,Customers Priority,Honest Operation,and Considerate Service”,our business mainly focus on the distribution of electronic components. Line cards we deal with include Microchip,ALPS,ROHM,Xilinx,Pulse,ON,Everlight and Freescale. Main products comprise IC,Modules,Potentiometer,IC Socket,Relay,Connector.Our parts cover such applications as commercial,industrial, and automotives areas.

We are looking forward to setting up business relationship with you and hope to provide you with the best service and solution. Let us make a better world for our industry!



Contact us

Tel: +86-755-8981 8866 Fax: +86-755-8427 6832

Email & Skype: info@chipsmall.com Web: www.chipsmall.com

Address: A1208, Overseas Decoration Building, #122 Zhenhua RD., Futian, Shenzhen, China



2008/05/02 02:30:38 CAROL TRIBBLE

DRAWING FOR REFERENCE: This is subject to change without notice

COUNT	DESCRIPTION OF REVISIONS	BY	CHKD	DATE	COUNT	DESCRIPTION OF REVISIONS	BY	CHKD	DATE
△					△				
△					△				

APPLICABLE STANDARD		EIAJ RC-5240								
RATING	OPERATING TEMPERATURE RANGE	-40 °C TO +85 °C				STORAGE TEMPERATURE RANGE	-40 °C TO +85 °C			
	VOLTAGE	AC 50V				OPERATING HUMIDITY RANGE	5 % TO 85 %			
	CURRENT	0.3 A				APPLICABLE CABLE	-			

SPECIFICATIONS

ITEM	TEST METHOD	REQUIREMENTS	QT	AT
------	-------------	--------------	----	----


CONSTRUCTION				
GENERAL EXAMINATION	VISUALLY AND BY MEASURING INSTRUMENT.	ACCORDING TO DRAWING.	X	X
MARKING	CONFIRMED VISUALLY.		X	X

ELECTRIC CHARACTERISTICS				
CONTACT RESISTANCE	100 mA (DC OR 1000 Hz).	50 mΩ MAX.	X	-
INSULATION RESISTANCE	250 V DC.	100 MΩ MIN.	X	-
VOLTAGE PROOF	250 V AC FOR 1 min.	NO FLASHOVER OR BREAKDOWN.	X	X

MECHANICAL CHARACTERISTICS				
INSERTION AND WITHDRAWAL FORCES	MEASURED BY APPLICABLE CONNECTOR.	INSERTION FORCE 24.5 N MAX. WITHDRAWAL FORCE 2.5 N MIN.	X	-
MECHANICAL OPERATION	10000 TIMES INSERTIONS AND EXTRACTIONS.	① CONTACT RESISTANCE : 100 mΩ MAX. ② INSERTION FORCE 24.5 N MAX. WITHDRAWAL FORCE 1.9 N MIN. ③ NO DAMAGE, CRACK AND LOOSENESS, OF PARTS.	X	-
VIBRATION	FREQUENCY 10 TO 55 Hz, SINGLE AMPLITUDE 0.75 mm, AT 2 h, FOR 3 DIRECTIONS, TOTAL 6 h.	① NO ELECTRICAL DISCONTINUITY OF 1 μs. ② NO DAMAGE, CRACK AND LOOSENESS, OF PARTS.	X	-
SHOCK	490 m/s ² DIRECTIONS OF PULSE 11 ms AT 3 TIMES FOR 6 DIRECTIONS, TOTAL 18 TIMES.		X	-

ENVIRONMENTAL CHARACTERISTICS				
RAPID CHANGE OF TEMPERATURE	TEMPERATURE -40 → 25 → 85 → 25 °C TIME 30 → 2 TO 3 → 30 → 2 TO 3 min UNDER 10 CYCLES.	① CONTACT RESISTANCE : 100 mΩ MAX. ② NO DAMAGE, CRACK AND LOOSENESS, OF PARTS.	X	-
DAMP HEAT (STEADY STATE)	EXPOSED AT 40±3 °C, 90~95 %, 96 h (FOR 4 DAYS).	① CONTACT RESISTANCE : 100 mΩ MAX. ② INSULATION RESISTANCE : 10 MΩ MIN. ③ NO FLASHOVER OR BREAKDOWN. ④ NO DAMAGE, CRACK AND LOOSENESS, OF PARTS.	X	-
DRY HEAT	EXPOSED AT +85±2 °C, 96±4 h.	① CONTACT RESISTANCE : 100 mΩ MAX. ② NO DAMAGE, CRACK AND LOOSENESS, OF PARTS.	X	-
COLD	EXPOSED AT -40±3 °C, 96±4 h.	① CONTACT RESISTANCE : 100 mΩ MAX. ② NO DAMAGE, CRACK AND LOOSENESS, OF PARTS.	X	-
CORROSION SALT MIST	EXPOSED IN 5±1 % SALT WATER, 35±3 °C FOR 48 ±4 h.	① CONTACT RESISTANCE : 100 mΩ MAX. ② NO HEAVY CORROSION.	X	-

REMARKS	DRAWN	DESIGNED	CHECKED	APPROVED	RELEASED
	<i>M. Shimoyama</i>	<i>M. Shimoyama</i>	<i>H. Chikawa</i>	<i>[Signature]</i>	
Unless otherwise specified, refer to JIS C 5402.	05.12.2	05.12.2	05.12.02	05.12.02	

 HIROSE ELECTRIC CO., LTD.		SPECIFICATION SHEET		PART NO. MQ212B-10PR	
CODE NO.(OLD)	DRAWING NO.	CODE NO.			
CL	ELC4-125504	CL206-2508-0	1/2		

Q2

2008/05/02 02:30:38 CAROL TRIBBLE

DRAWING FOR REFERENCE: This is subject to change without notice

TO
Q
□
□
□

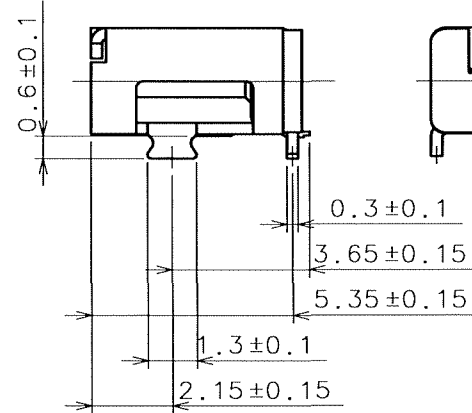
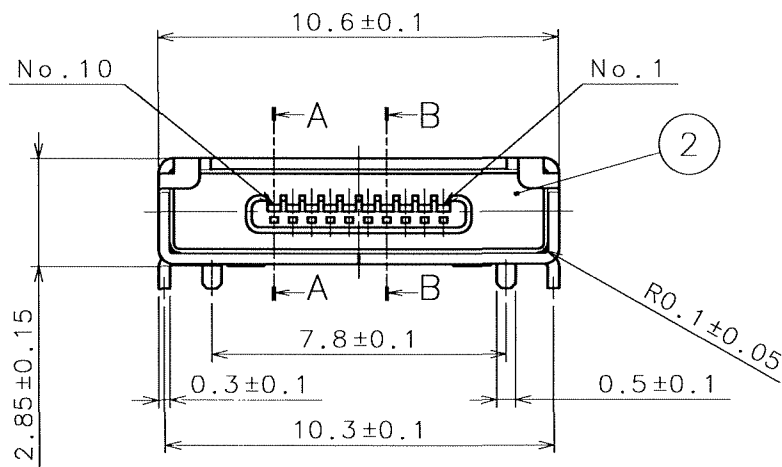
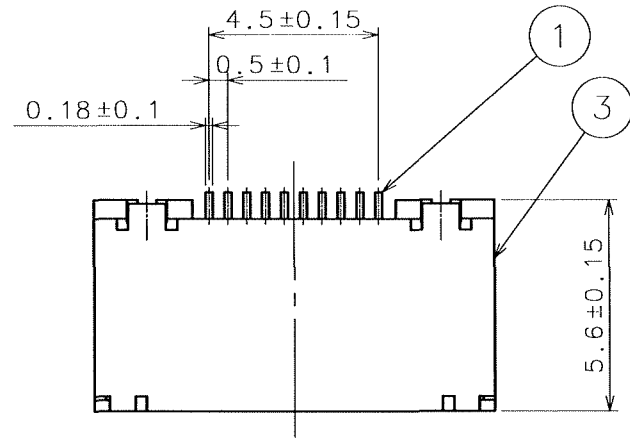
SPECIFICATIONS

ITEM	TEST METHOD	REQUIREMENTS	QT	AT
SOLDERBILITY	SOLERRING POINT OF CONTACTS IMMERSION IN SOLDER BATH OF 235±10°C, 2±0.5 sec.	SOLDERING POINT OF CONTACTS IMMERSION IN SOLDER, 90% MIN.	×	—
RESISTANCE TO SOLDERING HEAT	MOLTEN-SDDER TEMPERATURE: 260±5°C. IMMERSION FURABILITY PER LOCATION: 2± 1 sec.	NO DAMAGE, CRACK AND LOOSENESS, OF PARTS.	×	—

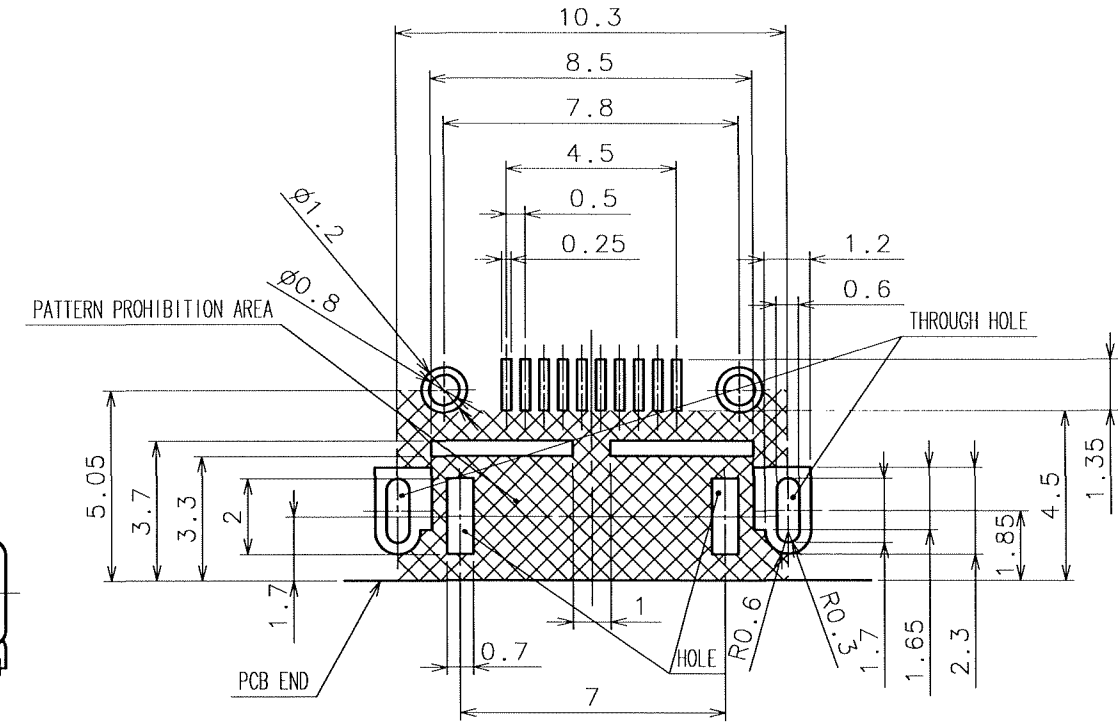
REMARKS	DRAWN	DESIGNED	CHECKED	APPROVED	RELEASED
Unless otherwise specified, refer to JIS C 5402.	<i>M. Shinoyama</i>	<i>M. Shinoyama</i>	<i>K. Shibata</i>	<i>[Signature]</i>	
	05.12.2	05.12.2	05.12.02	05.12.02	

Note QT:Qualification Test AT:Assurance Test ×:Applicable Test		
HRS HIROSE ELECTRIC CO., LTD.	SPECIFICATION SHEET	PART NO. MQ212B-10PR
CODE NO.(OLD) CL	DRAWING NO. ELC4-125504	CODE NO. CL206-2508-0
		2 / 2

COUNT	DESCRIPTION OF REVISIONS	BY	CHKD	DATE	COUNT	DESCRIPTION OF REVISIONS	BY	CHKD	DATE
△					△				
△					△				
△					△				

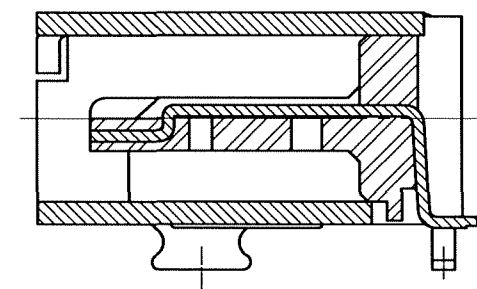
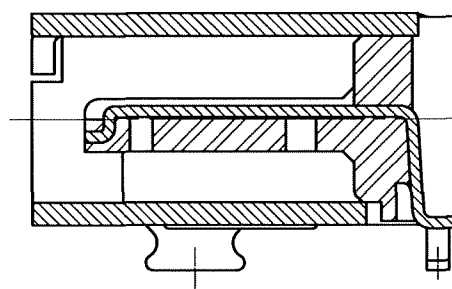


RECOMMENDED PC BOARD PATTERN



A-A (10:1)
(CONTACT No. 1, 10)

B-B (10:1)
(CONTACT No. 2~9)

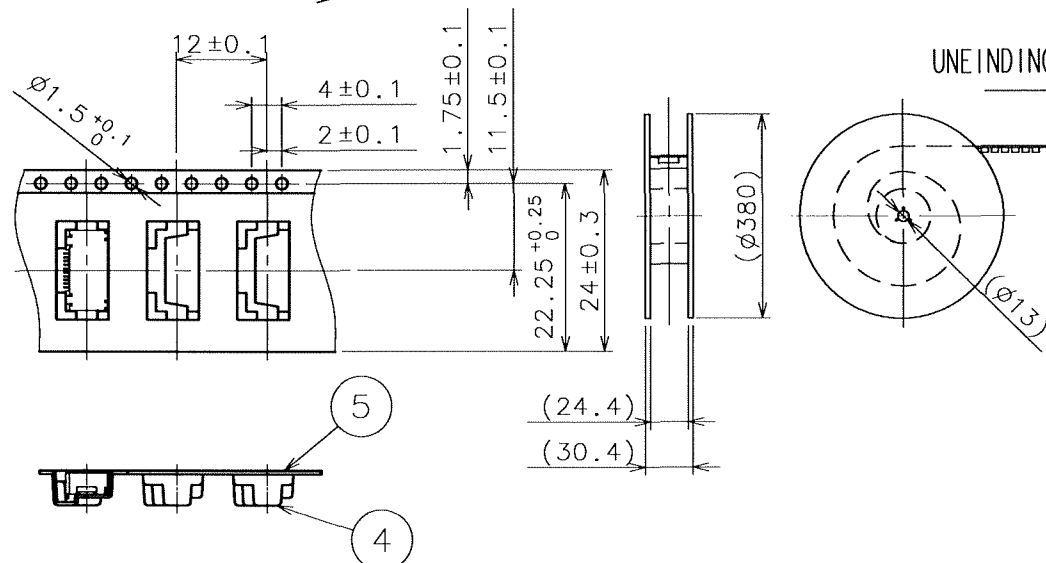


NOTE 1 PER REL: 1500 PIECES.
2 CO-PLANARITY TO BE 0.1mm MAX.

FIGURE FOR PACKING

UNEINDING DIRECTION

UNEINDING DIRECTION



2	LCP	UL94V-0 (BLACK)	5	PS	
1	PHOSPHOR BRONZE	UNDER PLATING: NICKEL 2μm MIN CONTACT AREA: GOLD 0.2μm MIN LEAD AREA: GOLD FLASH	4	PS	
			3	PHOSPHOR BRONZE	UNDER PLATING: NICKEL 1μm MIN MOUNTING AREA: TIN 1μm MIN
NO.	MATERIAL	FINISH, REMARKS	NO.	MATERIAL	FINISH, REMARKS
CODE NO. (OLD)			DRAWN	DESIGNED	CHECKED
			<i>M. Shimoyama</i>	<i>M. Shimoyama</i>	<i>K. Chikawa</i>
			05.12.2	05.12.2	05.12.2
				at 12:02	
DRAWING NO.			PART NO.		
EDC3-125504			MQ212B-10PR		
UNITS			CODE NO.		
mm			CL206-2508-0		
HRS HIROSE ELECTRIC CO., LTD			1/1		

TO
Q