



Chipsmall Limited consists of a professional team with an average of over 10 year of expertise in the distribution of electronic components. Based in Hongkong, we have already established firm and mutual-benefit business relationships with customers from,Europe,America and south Asia,supplying obsolete and hard-to-find components to meet their specific needs.

With the principle of "Quality Parts,Customers Priority,Honest Operation,and Considerate Service",our business mainly focus on the distribution of electronic components. Line cards we deal with include Microchip,ALPS,ROHM,Xilinx,Pulse,ON,Everlight and Freescale. Main products comprise IC,Modules,Potentiometer,IC Socket,Relay,Connector.Our parts cover such applications as commercial,industrial, and automotives areas.

We are looking forward to setting up business relationship with you and hope to provide you with the best service and solution. Let us make a better world for our industry!



Contact us

Tel: +86-755-8981 8866 Fax: +86-755-8427 6832

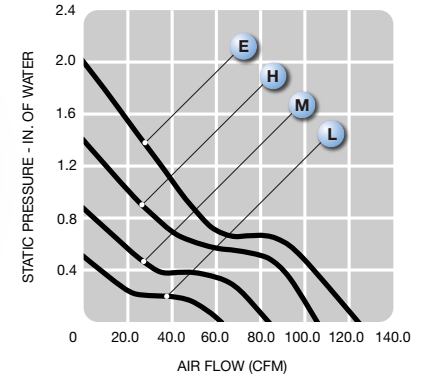
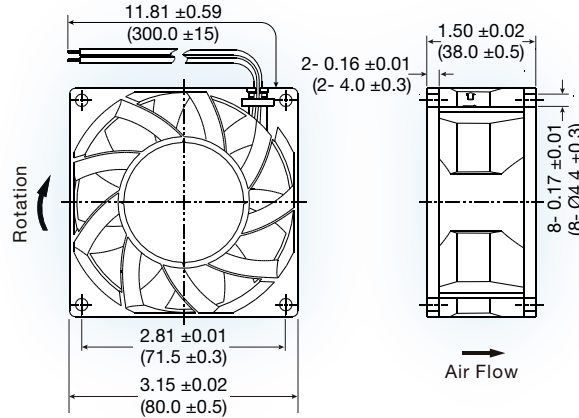
Email & Skype: info@chipsmall.com Web: www.chipsmall.com

Address: A1208, Overseas Decoration Building, #122 Zhenhua RD., Futian, Shenzhen, China



MQ8038 series

HIGH PERFORMANCE



(80 x 80 x 38 mm)
3.15 x 3.15 x 1.50 inches

Construction: UL94V-0 PBT impeller & frame

Bearing option: ball bearing

Connection: AWG 24, UL1007 lead wires

Frame: flanged

Protection: thermal

Options: tachometer output or locked rotor alarm signal; PWM speed control

Model No.	Rated Voltage V	Current mA			Speed RPM	Air Volume		Max. Static Pressure (H ₂ O)		Sound Noise dB(A)	Weight g
		12	24	48		M ³ /Min.	CFM	MM	INCH		
MQ8038L	12/24/48	450	250	180	4,500	1.74	61.50	12.4	0.49	49	180
MQ8038M	12/24/48	850	450	280	6,000	2.36	83.40	21.8	0.86	57	180
MQ8038H	12/24/48	1550	780	450	7,500	2.98	105.20	34.8	1.37	63	180
MQ8038E	12/24/48	2800	1400	750	9,000	3.49	123.30	50.0	1.97	67	180