



Chipsmall Limited consists of a professional team with an average of over 10 year of expertise in the distribution of electronic components. Based in Hongkong, we have already established firm and mutual-benefit business relationships with customers from,Europe,America and south Asia,supplying obsolete and hard-to-find components to meet their specific needs.

With the principle of “Quality Parts,Customers Priority,Honest Operation,and Considerate Service”,our business mainly focus on the distribution of electronic components. Line cards we deal with include Microchip,ALPS,ROHM,Xilinx,Pulse,ON,Everlight and Freescale. Main products comprise IC,Modules,Potentiometer,IC Socket,Relay,Connector.Our parts cover such applications as commercial,industrial, and automotives areas.

We are looking forward to setting up business relationship with you and hope to provide you with the best service and solution. Let us make a better world for our industry!



Contact us

Tel: +86-755-8981 8866 Fax: +86-755-8427 6832

Email & Skype: info@chipsmall.com Web: www.chipsmall.com

Address: A1208, Overseas Decoration Building, #122 Zhenhua RD., Futian, Shenzhen, China



HONEYWELL
PART NUMBER
4

REV	DOCUMENT	CHANGED BY	CHECK
A	0016254	KSR 27OCT05	RJ

(ILLUMINATED: 1=CLEAR AMBER, 2=CLEAR RED, 3=CLEAR BLUE, 4=CLEAR GREEN, 5=CLEAR)

ACTUATOR COLOR 7
(NON-ILLUMINATED: B=BLACK, W=WHITE)

NUMBER OF POLES 5
(1=SP-SINGLE POLE, 2=DP-DOUBLE POLE)

CIRCUITRY 5

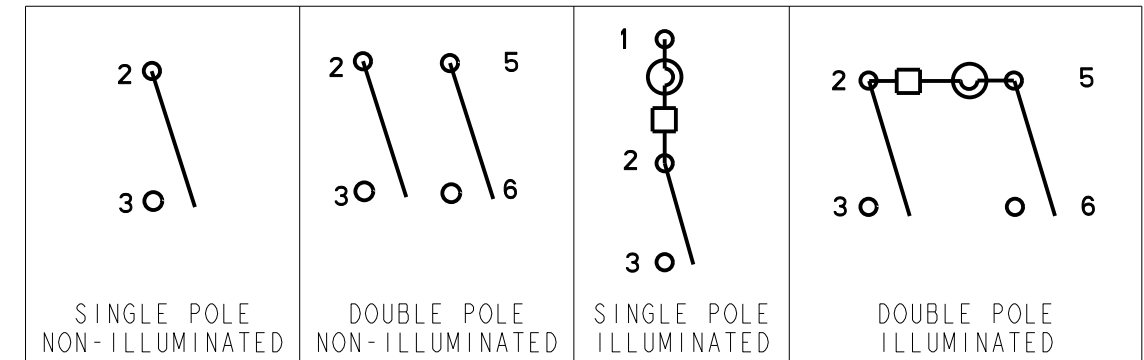
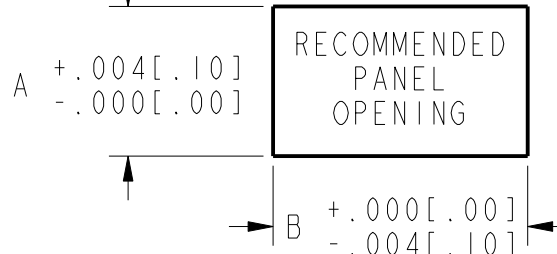
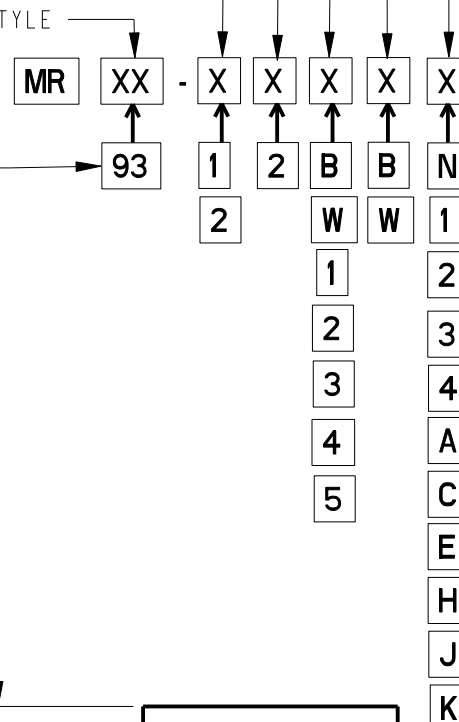
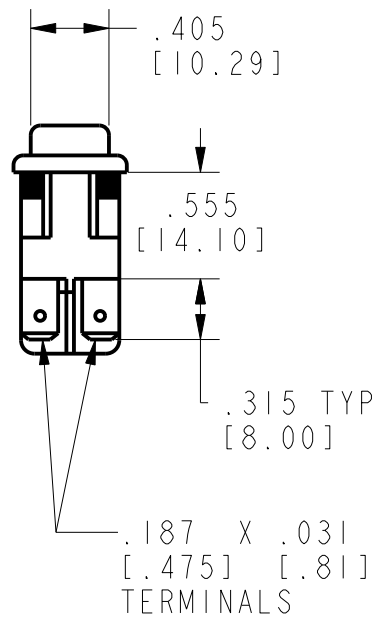
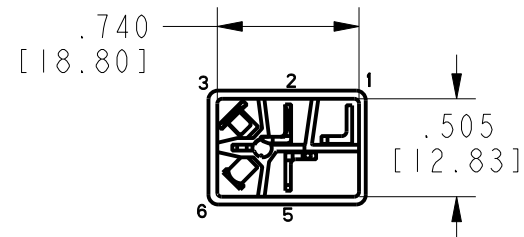
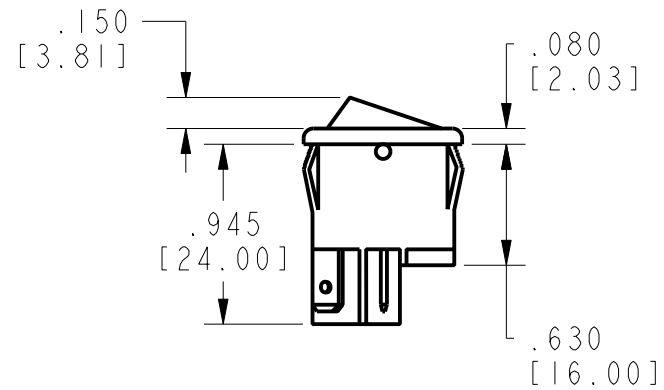
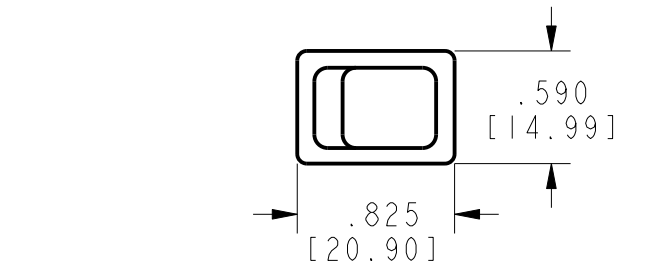
BASE/BEZEL COLOR
(B=BLACK, W=WHITE)

LAMP/ELECTRICAL RATING 6

TERMINAL STYLE

.187 WIDE QUICK
CONNECT TABS

CODE 6	LAMP	RATING
N	NON-ILLUMINATED	8A, 250VAC 12A, 125VAC 1/2 HP, 125-250VAC UL, CSA
1	UNBALLASTED LED	N/A
2	6V LED	12A, 6V
3	12V LED	12A, 12V
4	24V LED	12A, 24V
A	6V INCANDESCENT	12A, 6V
C	12V INCANDESCENT	12A, 12V
E	18V INCANDESCENT	12A, 18V
H	24V INCANDESCENT	12A, 24V
J	125V NEON	12A, 125VAC UL, CSA
K	250V NEON	8A, 250VAC UL, CSA



PANEL THICKNESS	A	B
.030 [.76] - .050 [1.27]	.508 [12.90]	.756 [19.20]
.050 [1.27] - .078 [1.98]	.508 [12.90]	.764 [19.40]
.078 [1.98] - .125 [3.17]	.508 [12.90]	.780 [19.81]

CIRCUIT DIAGRAMS 5

- 1 - OPERATING TEMPERATURE RANGE : 32°F TO 185°F
- 2 - ELECTRICAL LIFE : 50,000 CYCLES
- 3 - MECHANICAL LIFE : 100,000 CYCLES
- 4 - SEE DIAGRAM FOR CATALOGING SCHEME
- 5 - REFER TO APPLICABLE CIRCUIT DIAGRAM
- 6 - REFER TO TABLE FOR SPECIFIC LAMPS AND ELECTRICAL RATINGS
- 7 - CLEAR BLUE ACTUATOR ONLY AVAILABLE WITH INCANDESCENT LAMPS

DESIGN UNITS: INCH
TOLERANCES UNLESS NOTED:

NO PLACE	X	±	0.040
ONE PLACE	.X	±	0.030
TWO PLACE	.XX	±	0.015
THREE PLACE	.XXX	±	0.005
FOUR PLACE	.XXXX	±	0.0005
ANGLES	X	±	2

DRAWN	NM	13 JUN 05
CHECK	RJ	27OCT05
THIS DRAWING COVERS A PROPRIETARY ITEM AND IS THE PROPERTY OF HONEYWELL. THIS DRAWING IS NOT TO BE COPIED OR USED WITHOUT THE PERMISSION OF HONEYWELL.		
INTERPRET PER ASME Y14.5M-1994 OTHER HONEYWELL ENGINEERING STANDARDS MAY APPLY		
Pro/ENGINEER	2D	

Honeywell

SWITCH , ROCKER

SIZE	TYPE	DRAWING NAME	REV
B	I	MR SERIES CHART 1	A

