



Chipsmall Limited consists of a professional team with an average of over 10 year of expertise in the distribution of electronic components. Based in Hongkong, we have already established firm and mutual-benefit business relationships with customers from,Europe,America and south Asia,supplying obsolete and hard-to-find components to meet their specific needs.

With the principle of “Quality Parts,Customers Priority,Honest Operation,and Considerate Service”,our business mainly focus on the distribution of electronic components. Line cards we deal with include Microchip,ALPS,ROHM,Xilinx,Pulse,ON,Everlight and Freescale. Main products comprise IC,Modules,Potentiometer,IC Socket,Relay,Connector.Our parts cover such applications as commercial,industrial, and automotives areas.

We are looking forward to setting up business relationship with you and hope to provide you with the best service and solution. Let us make a better world for our industry!



Contact us

Tel: +86-755-8981 8866 Fax: +86-755-8427 6832

Email & Skype: info@chipsmall.com Web: www.chipsmall.com

Address: A1208, Overseas Decoration Building, #122 Zhenhua RD., Futian, Shenzhen, China



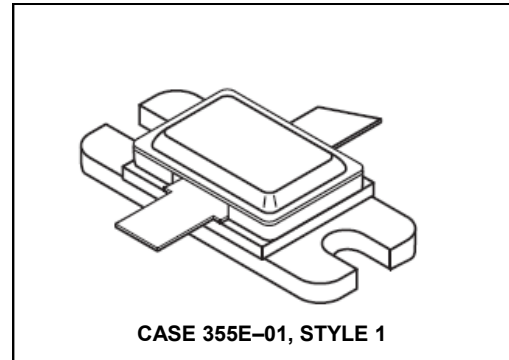
Microwave Pulse Power Silicon NPN Transistor 350W (peak), 1025–1150MHz

Rev. V1

Designed for 1025–1150 MHz pulse common base amplifier applications such as TCAS, TACAN and Mode-S transmitters.

- Guaranteed performance @ 1090 MHz
Output power = 350 W Peak
Gain = 8.5 dB min, 9.0 dB (typ.)
- 100% tested for load mismatch at all phase angles with 10:1 VSWR
- Hermetically sealed package
- Silicon nitride passivated
- Gold metallized, emitter ballasted for long life and resistance to metal migration
- Internal input and output matching
- Characterized using Mode-S pulse format

Product Image



MAXIMUM RATINGS

Rating	Symbol	Value	Unit
Collector–Emitter Voltage	V_{CES}	65	Vdc
Collector–Base Voltage	V_{CBO}	65	Vdc
Emitter–Base Voltage	V_{EBO}	3.5	Vdc
Collector Current — Peak (1)	I_C	31	Adc
Total Device Dissipation @ $T_C = 25^\circ\text{C}$ (1), (2) Derate above 25°C	P_D	1590 9.1	Watts $\text{W}/^\circ\text{C}$
Storage Temperature Range	T_{stg}	–65 to +200	$^\circ\text{C}$
Junction Temperature	T_J	200	$^\circ\text{C}$

THERMAL CHARACTERISTICS

Characteristic	Symbol	Max	Unit
Thermal Resistance, Junction to Case (3)	$R_{\theta JC}$	0.11	$^\circ\text{C}/\text{W}$

NOTES:

1. Under pulse RF operating conditions.
2. These devices are designed for RF operation. The total device dissipation rating applies only when the devices are operated as pulsed RF amplifiers.
3. Thermal Resistance is determined under specified RF operating conditions by infrared measurement techniques. (Worst Case θ_{JC} measured using Mode-S pulse train, 128 μs burst 0.5 μs on, 0.5 μs off repeating at 6.4 ms interval.)

Microwave Pulse Power Silicon NPN Transistor 350W (peak), 1025–1150MHz

Rev. V1

ELECTRICAL CHARACTERISTICS ($T_C = 25^\circ\text{C}$ unless otherwise noted.)

Characteristic	Symbol	Min	Typ	Max	Unit
----------------	--------	-----	-----	-----	------

OFF CHARACTERISTICS

Collector–Emitter Breakdown Voltage ($I_C = 60 \text{ mAdc}$, $V_{BE} = 0$)	$V_{(BR)CES}$	65	—	—	Vdc
Collector–Base Breakdown Voltage ($I_C = 60 \text{ mAdc}$, $I_E = 0$)	$V_{(BR)CBO}$	65	—	—	Vdc
Emitter–Base Breakdown Voltage ($I_E = 10 \text{ mAdc}$, $I_C = 0$)	$V_{(BR)EBO}$	3.5	—	—	Vdc
Collector Cutoff Current ($V_{CB} = 36 \text{ Vdc}$, $I_E = 0$)	I_{CBO}	—	—	25	mAdc

ON CHARACTERISTICS

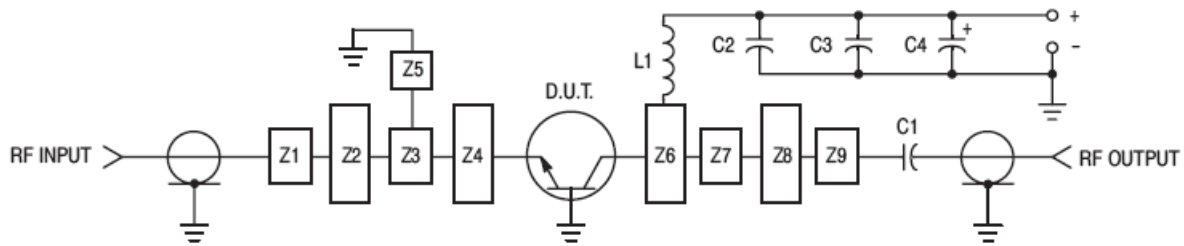
DC Current Gain ($I_C = 5.0 \text{ Adc}$, $V_{CE} = 5.0 \text{ Vdc}$)	h_{FE}	20	—	—	—
--	----------	----	---	---	---

FUNCTIONAL TESTS

Common–Base Amplifier Power Gain ($V_{CC} = 50 \text{ Vdc}$, $P_{out} = 350 \text{ W Peak}$, $f = 1090 \text{ MHz}$)	G_{PB}	8.5	9.0	—	dB
Collector Efficiency ($V_{CC} = 50 \text{ Vdc}$, $P_{out} = 350 \text{ W Peak}$, $f = 1090 \text{ MHz}$)	η	40	—	—	%
Load Mismatch ($V_{CC} = 50 \text{ Vdc}$, $P_{out} = 350 \text{ W Peak}$, $f = 1090 \text{ MHz}$, $VSWR = 10:1$ All Phase Angles)	ψ	No Degradation in Output Power			

Microwave Pulse Power Silicon NPN Transistor 350W (peak), 1025–1150MHz

Rev. V1



C1 — 75 pF 100 Mil Chip Capacitor
 C2 — 39 pF 100 Mil Chip Capacitor
 C3 — 0.1 μ F
 C4 — 100 μ F, 100 Vdc, Electrolytic
 L1 — 3 Turns #18 AWG, 1/8" ID, 0.18 Long

Z1–Z9 — Microstrip, See Details
 Board Material — Teflon, Glass Laminate
 Dielectric Thickness = 0.030"
 $\epsilon_r = 2.55$, 2 Oz. Copper

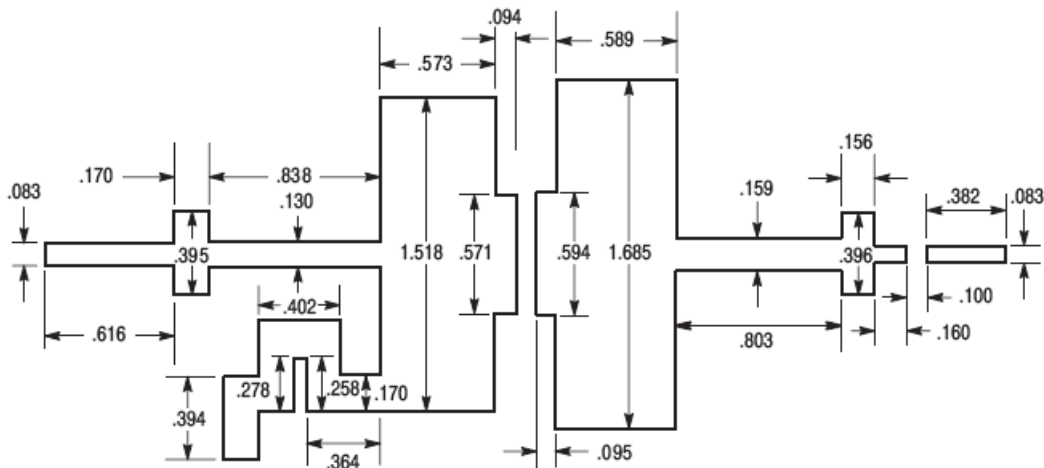
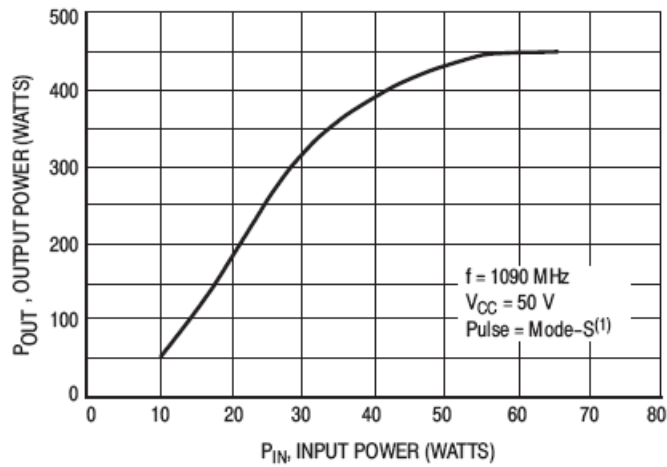
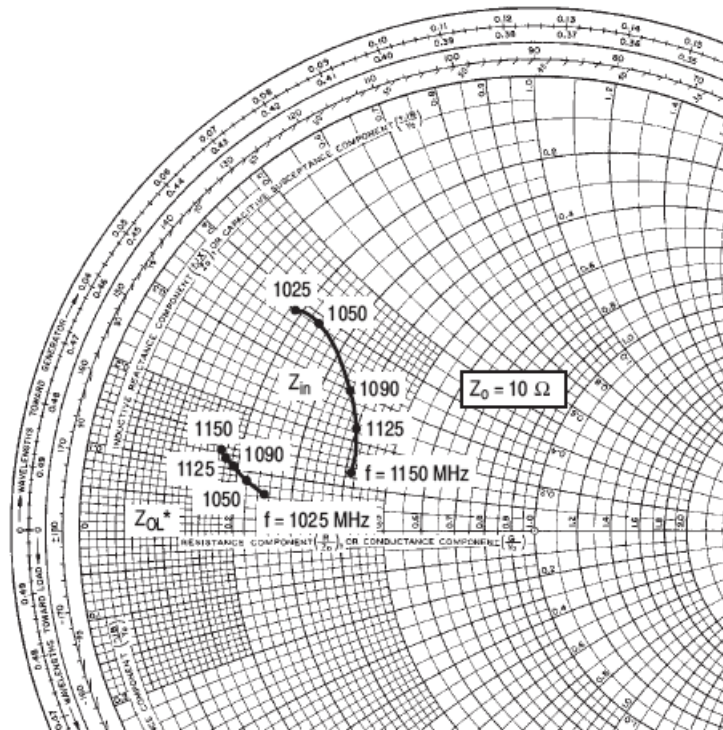


Figure 1. Test Circuit



(1) 128 μ s burst 0.5 μ s on, 0.5 μ s off
repeating at 6.4 ms interval.

Figure 2. Output Power versus Input Power



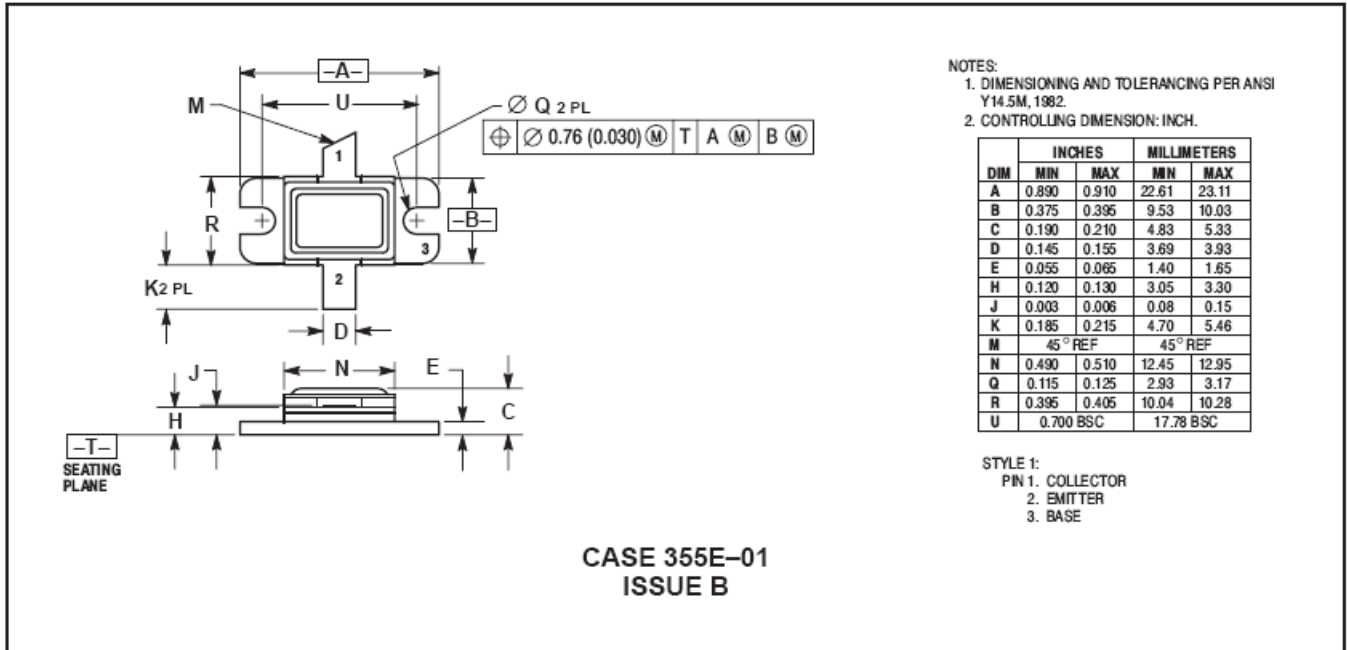
$P_{OUT} = 350 \text{ W Pk}$ $V_{CC} = 50 \text{ V}$

f MHz	Z_{in} OHMS	$Z_{OL}^*(1)$ OHMS
1025	$1.92 + j3.80$	$2.52 + j0.70$
1050	$2.44 + j3.92$	$2.18 + j0.85$
1090	$3.55 + j3.02$	$1.94 + j1.13$
1125	$4.11 + j2.27$	$1.80 + j1.22$
1150	$4.13 + j1.35$	$1.71 + j1.31$

Z_{OL}^* is the conjugate of the optimum load impedance into which the device operates at a given output power voltage and frequency.

Figure 3. Series Equivalent Input/Output Impedances

PACKAGE DIMENSIONS



M/A-COM Technology Solutions Inc. All rights reserved.

Information in this document is provided in connection with M/A-COM Technology Solutions Inc ("MACOM") products. These materials are provided by MACOM as a service to its customers and may be used for informational purposes only. Except as provided in MACOM's Terms and Conditions of Sale for such products or in any separate agreement related to this document, MACOM assumes no liability whatsoever. MACOM assumes no responsibility for errors or omissions in these materials. MACOM may make changes to specifications and product descriptions at any time, without notice. MACOM makes no commitment to update the information and shall have no responsibility whatsoever for conflicts or incompatibilities arising from future changes to its specifications and product descriptions. No license, express or implied, by estoppel or otherwise, to any intellectual property rights is granted by this document.

THESE MATERIALS ARE PROVIDED "AS IS" WITHOUT WARRANTY OF ANY KIND, EITHER EXPRESS OR IMPLIED, RELATING TO SALE AND/OR USE OF MACOM PRODUCTS INCLUDING LIABILITY OR WARRANTIES RELATING TO FITNESS FOR A PARTICULAR PURPOSE, CONSEQUENTIAL OR INCIDENTAL DAMAGES, MERCHANTABILITY, OR INFRINGEMENT OF ANY PATENT, COPYRIGHT OR OTHER INTELLECTUAL PROPERTY RIGHT. MACOM FURTHER DOES NOT WARRANT THE ACCURACY OR COMPLETENESS OF THE INFORMATION, TEXT, GRAPHICS OR OTHER ITEMS CONTAINED WITHIN THESE MATERIALS. MACOM SHALL NOT BE LIABLE FOR ANY SPECIAL, INDIRECT, INCIDENTAL, OR CONSEQUENTIAL DAMAGES, INCLUDING WITHOUT LIMITATION, LOST REVENUES OR LOST PROFITS, WHICH MAY RESULT FROM THE USE OF THESE MATERIALS.

MACOM products are not intended for use in medical, lifesaving or life sustaining applications. MACOM customers using or selling MACOM products for use in such applications do so at their own risk and agree to fully indemnify MACOM for any damages resulting from such improper use or sale.