



Chipsmall Limited consists of a professional team with an average of over 10 year of expertise in the distribution of electronic components. Based in Hongkong, we have already established firm and mutual-benefit business relationships with customers from,Europe,America and south Asia,supplying obsolete and hard-to-find components to meet their specific needs.

With the principle of "Quality Parts,Customers Priority,Honest Operation,and Considerate Service",our business mainly focus on the distribution of electronic components. Line cards we deal with include Microchip,ALPS,ROHM,Xilinx,Pulse,ON,Everlight and Freescale. Main products comprise IC,Modules,Potentiometer,IC Socket,Relay,Connector.Our parts cover such applications as commercial,industrial, and automotives areas.

We are looking forward to setting up business relationship with you and hope to provide you with the best service and solution. Let us make a better world for our industry!



Contact us

Tel: +86-755-8981 8866 Fax: +86-755-8427 6832

Email & Skype: info@chipsmall.com Web: www.chipsmall.com

Address: A1208, Overseas Decoration Building, #122 Zhenhua RD., Futian, Shenzhen, China



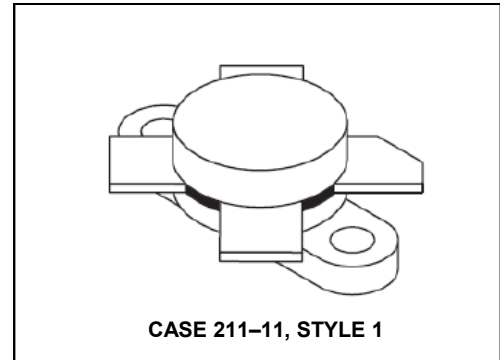
The RF Line NPN Silicon Power Transistor 150W(PEP), 30MHz, 50V

Rev. V1

Designed primarily for high-voltage applications as a high-power linear amplifier from 2.0 to 30 MHz. Ideal for marine and base station equipment.

- Specified 50 V, 30 MHz Characteristics —
 - Output power = 150 W (PEP)
 - Minimum gain = 13 DB
 - Efficiency = 45%
- Intermodulation distortion @ 150 W (PEP) —
 - IMD = -30 db (max.)
- 100% tested for load mismatch at all phase angles with 30:1 VSWR @ 150 W CW

Product Image



MAXIMUM RATINGS

Rating	Symbol	Value	Unit
Collector-Emitter Voltage	V_{CEO}	55	Vdc
Collector-Base Voltage	V_{CBO}	110	Vdc
Emitter-Base Voltage	V_{EBO}	4.0	Vdc
Collector Current — Continuous	I_C	20	Adc
Withstand Current — 10 s	—	30	Adc
Total Device Dissipation @ $T_C = 25^\circ\text{C}$ Derate above 25°C	P_D	320 1.83	Watts W/ $^\circ\text{C}$
Storage Temperature Range	T_{stg}	-65 to +150	$^\circ\text{C}$

THERMAL CHARACTERISTICS

Characteristic	Symbol	Max	Unit
Thermal Resistance, Junction to Case	$R_{\theta JC}$	0.5	$^\circ\text{C/W}$

ELECTRICAL CHARACTERISTICS ($T_C = 25^\circ\text{C}$ unless otherwise noted.)

Characteristic	Symbol	Min	Typ	Max	Unit
----------------	--------	-----	-----	-----	------

OFF CHARACTERISTICS

Collector-Emitter Breakdown Voltage ($I_C = 200\text{ mAdc}$, $I_B = 0$)	$V_{(BR)CEO}$	55	—	—	Vdc
Collector-Emitter Breakdown Voltage ($I_C = 100\text{ mAdc}$, $V_{BE} = 0$)	$V_{(BR)CES}$	110	—	—	Vdc
Collector-Base Breakdown Voltage ($I_C = 100\text{ mAdc}$, $I_E = 0$)	$V_{(BR)CBO}$	110	—	—	Vdc
Emitter-Base Breakdown Voltage ($I_E = 10\text{ mAdc}$, $I_C = 0$)	$V_{(BR)EBO}$	4.0	—	—	Vdc

(continued)

The RF Line NPN Silicon Power Transistor 150W(PEP), 30MHz, 50V

Rev. V1

ELECTRICAL CHARACTERISTICS — continued ($T_C = 25\text{ }^\circ\text{C}$ unless otherwise noted.)

Characteristic	Symbol	Min	Typ	Max	Unit
----------------	--------	-----	-----	-----	------

ON CHARACTERISTICS

DC Current Gain ($I_C = 5.0\text{ Adc}$, $V_{CE} = 5.0\text{ Vdc}$)	h_{FE}	10	30	—	—
---	----------	----	----	---	---

DYNAMIC CHARACTERISTICS

Output Capacitance ($V_{CB} = 50\text{ Vdc}$, $I_E = 0$, $f = 1.0\text{ MHz}$)	C_{OB}	—	220	250	pF
---	----------	---	-----	-----	----

FUNCTIONAL TESTS

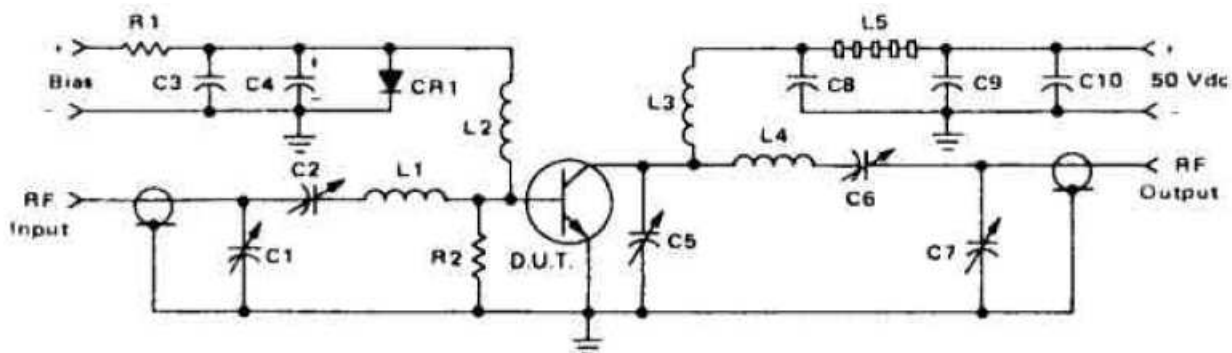
Common-Emitter Amplifier Gain ($V_{CC} = 50\text{ Vdc}$, $P_{OUT} = 150\text{ W (PEP)}$, $I_C(\text{max}) = 3.32\text{ Adc}$, $f = 30\text{ MHz}$)	G_{PE}	13	15	—	dB
Output Power ($V_{CE} = 50\text{ Vdc}$, $f = 30\text{ MHz}$)	P_{OUT}	150	—	—	W (PEP)
Collector Efficiency ($V_{CC} = 50\text{ Vdc}$, $P_{OUT} = 150\text{ W (PEP)}$, $I_C(\text{max}) = 3.32\text{ Adc}$, $f = 30\text{ MHz}$)	η	45	—	—	%
Intermodulation Distortion (1) ($V_{CE} = 50\text{ Vdc}$, $P_{OUT} = 150\text{ W (PEP)}$, $I_C = 3.32\text{ Adc}$)	IMD	—	-33	-30	dB
Electrical Ruggedness ($V_{CC} = 50\text{ Vdc}$, $P_{OUT} = 150\text{ W (PEP)}$, $I_C(\text{max}) = 3.32\text{ Adc}$, VSWR 30:1 at all Phase Angles)	Ψ	No Degradation in Output Power			

NOTE:

- To Mil-Std-1311 Version A, Test Method 2204B, Two Tone, Reference each Tone.

The RF Line NPN Silicon Power Transistor 150W(PEP), 30MHz, 50V

Rev. V1



C1,C2,C7 — 170-780 pF, Arco 469
 C3,C8,C9 — 0.1 μ F, 100 V Erie
 C4 — 500 μ F @ 6.0 V
 C5 — 9.0-180 pF, Arco 463
 C6 — 80-480 pF, Arco 466
 C10 — 30 μ F, 100 V
 R1 — 10 Ω , 10 Watt

R2 — 10 Ω , 1.0 Watt
 CR1 — 1N4997
 L1 — 3 Turns, #16 Wire, 5/16" I.D., 5/16" Long
 L2 — 10 μ H Molded Choke
 L3 — 12 Turns, #16 Enameled Wire Closewound, 1/4" I.D.
 L4 — 5 Turns, 1/8" Copper Tubing, 9/16" I.D., 3/4" Long
 L5 — 10 Ferrite Beads — Ferroxcube #56-590-65/3B

Figure 1. 30 MHz Test Circuit Schematic

FIGURE 2 — OUTPUT POWER versus INPUT POWER

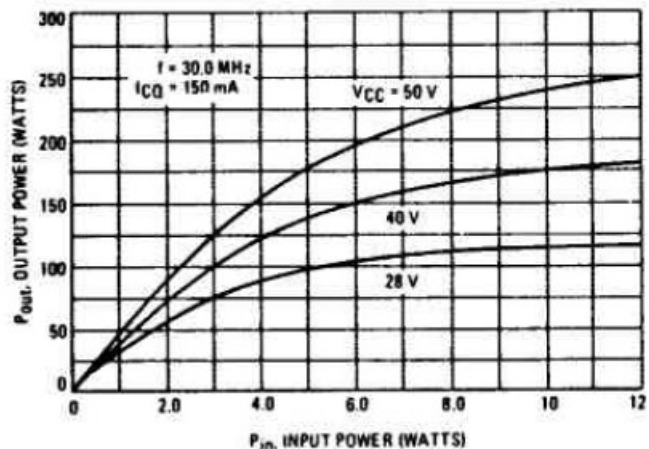
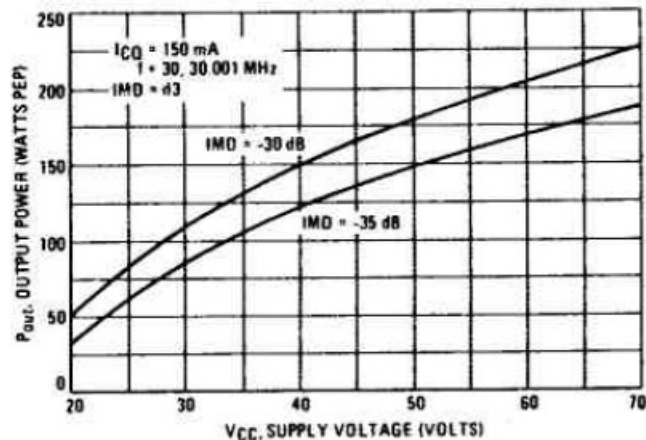


FIGURE 3 — OUTPUT POWER versus SUPPLY VOLTAGE



The RF Line NPN Silicon Power Transistor 150W(PEP), 30MHz, 50V

Rev. V1

FIGURE 4 – POWER GAIN versus FREQUENCY

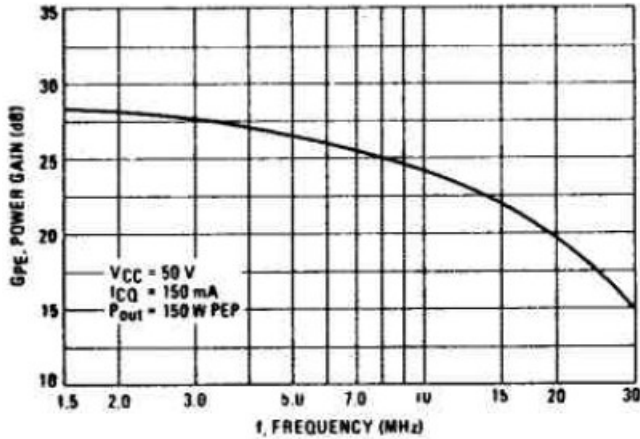
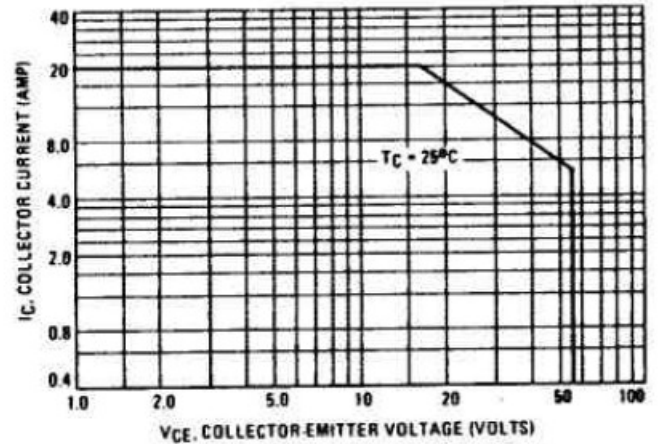


FIGURE 5 – DC SAFE OPERATING AREA



INTERMODULATION DISTORTION versus OUTPUT POWER

FIGURE 6 – VCC = 40 Vdc

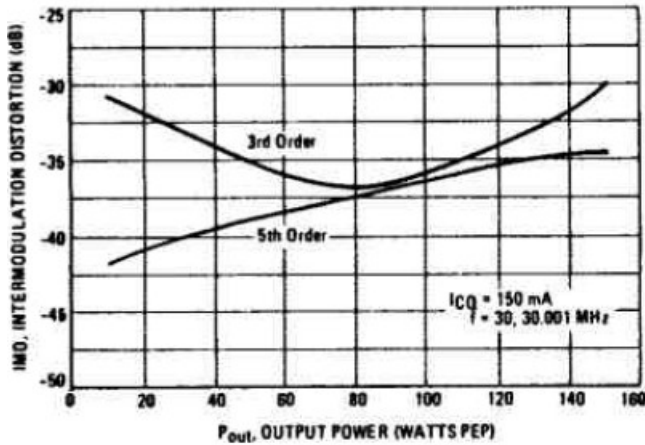
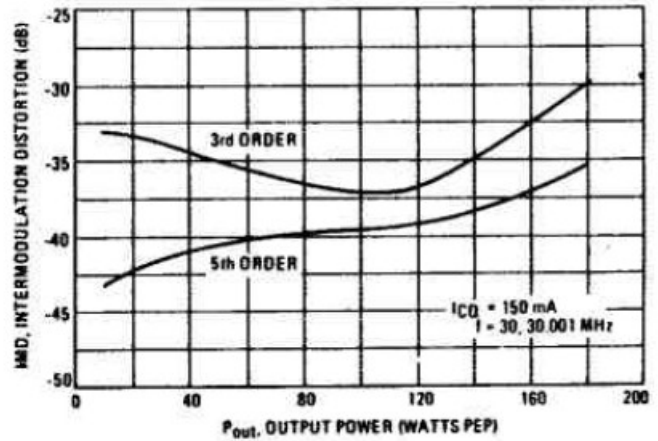


FIGURE 7 – VCC = 50 Vdc



The RF Line NPN Silicon Power Transistor 150W(PEP), 30MHz, 50V

Rev. V1

FIGURE 8 – OUTPUT CAPACITANCE versus FREQUENCY

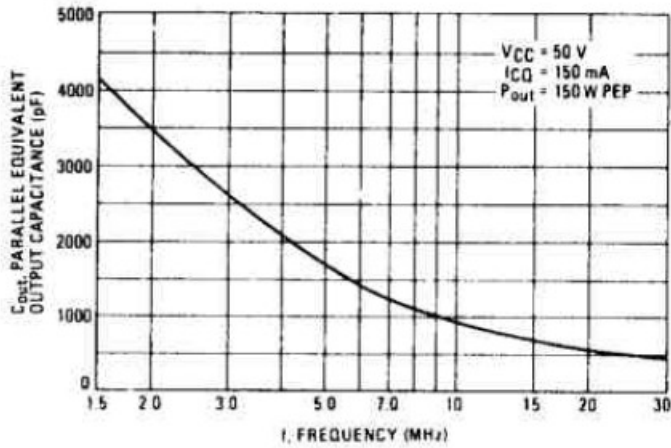
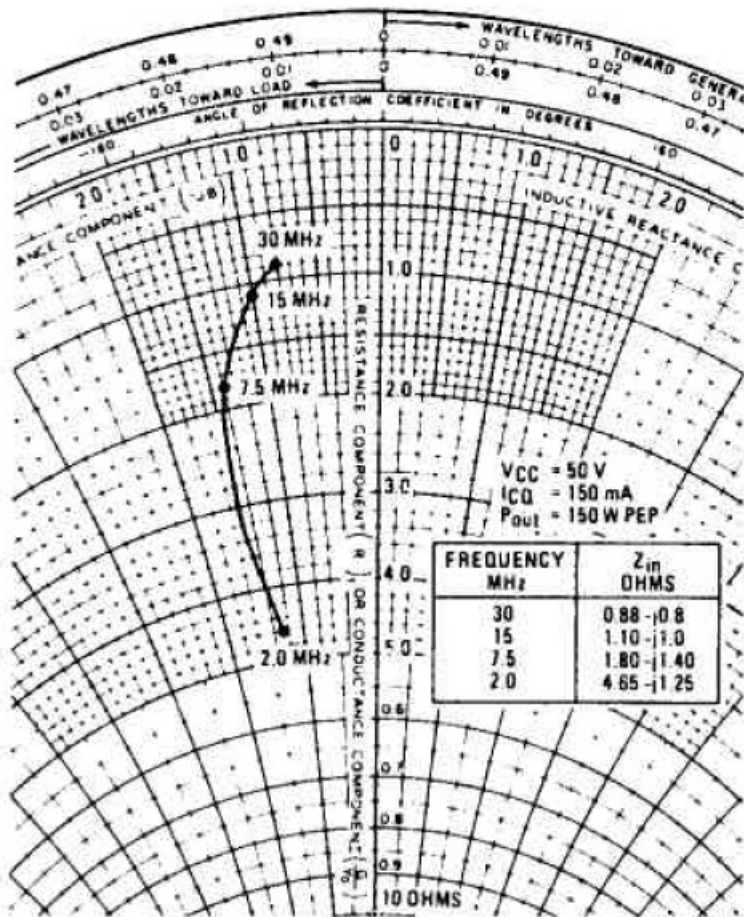
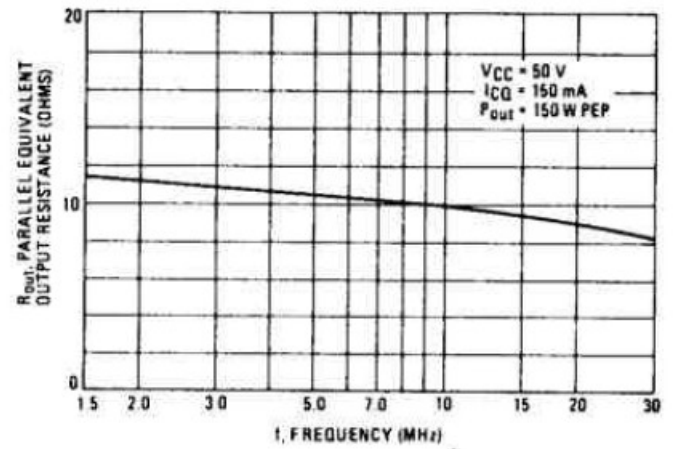
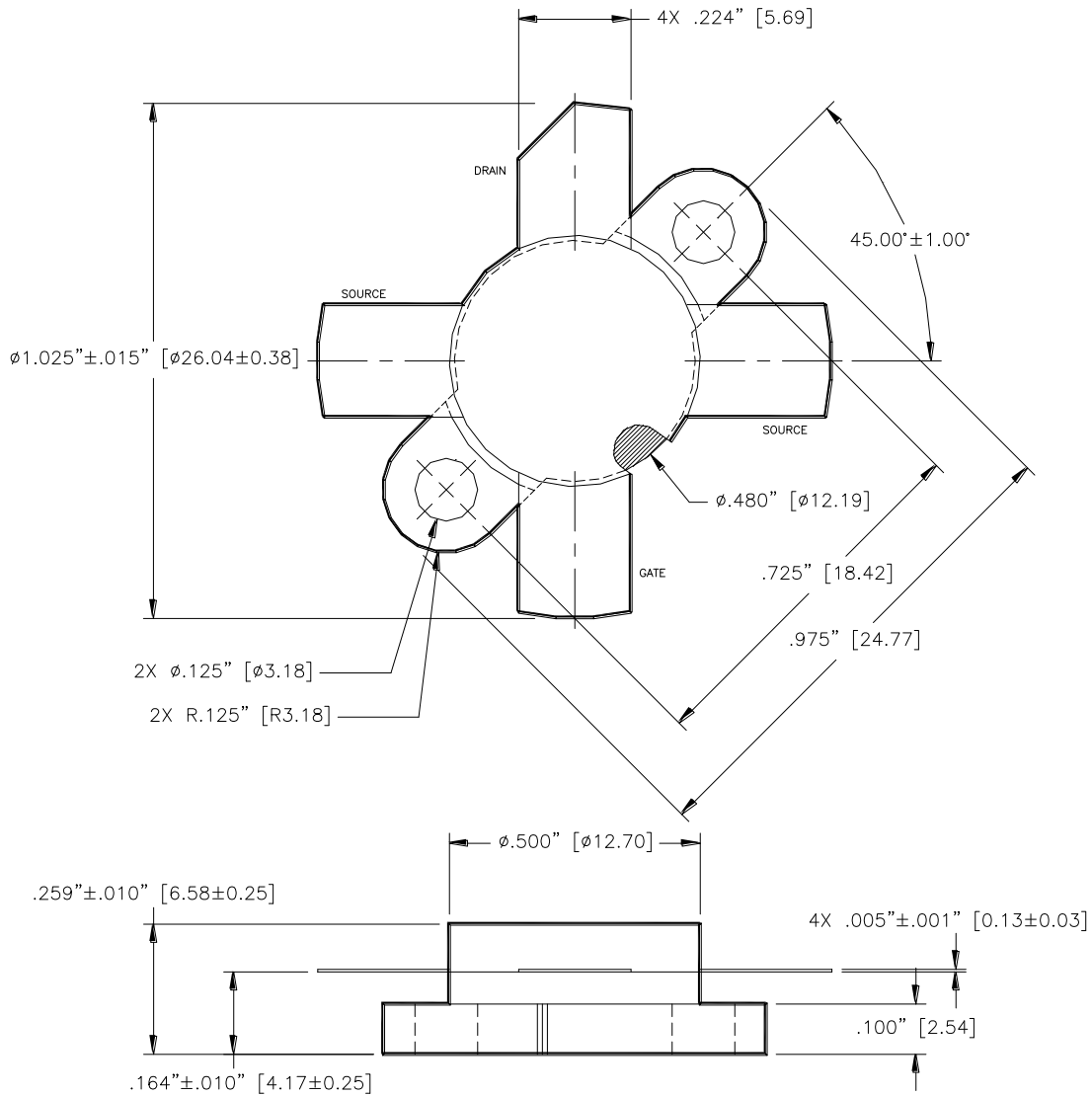


FIGURE 9 – OUTPUT RESISTANCE versus FREQUENCY



The RF Line NPN Silicon Power Transistor 150W(PEP), 30MHz, 50V

Rev. V1



Unless otherwise noted, tolerances are inches $\pm .005$ " [millimeters ± 0.13 mm]

M/A-COM Technology Solutions Inc. All rights reserved.

Information in this document is provided in connection with M/A-COM Technology Solutions Inc ("MACOM") products. These materials are provided by MACOM as a service to its customers and may be used for informational purposes only. Except as provided in MACOM's Terms and Conditions of Sale for such products or in any separate agreement related to this document, MACOM assumes no liability whatsoever. MACOM assumes no responsibility for errors or omissions in these materials. MACOM may make changes to specifications and product descriptions at any time, without notice. MACOM makes no commitment to update the information and shall have no responsibility whatsoever for conflicts or incompatibilities arising from future changes to its specifications and product descriptions. No license, express or implied, by estoppel or otherwise, to any intellectual property rights is granted by this document.

THESE MATERIALS ARE PROVIDED "AS IS" WITHOUT WARRANTY OF ANY KIND, EITHER EXPRESS OR IMPLIED, RELATING TO SALE AND/OR USE OF MACOM PRODUCTS INCLUDING LIABILITY OR WARRANTIES RELATING TO FITNESS FOR A PARTICULAR PURPOSE, CONSEQUENTIAL OR INCIDENTAL DAMAGES, MERCHANTABILITY, OR INFRINGEMENT OF ANY PATENT, COPYRIGHT OR OTHER INTELLECTUAL PROPERTY RIGHT. MACOM FURTHER DOES NOT WARRANT THE ACCURACY OR COMPLETENESS OF THE INFORMATION, TEXT, GRAPHICS OR OTHER ITEMS CONTAINED WITHIN THESE MATERIALS. MACOM SHALL NOT BE LIABLE FOR ANY SPECIAL, INDIRECT, INCIDENTAL, OR CONSEQUENTIAL DAMAGES, INCLUDING WITHOUT LIMITATION, LOST REVENUES OR LOST PROFITS, WHICH MAY RESULT FROM THE USE OF THESE MATERIALS.

MACOM products are not intended for use in medical, lifesaving or life sustaining applications. MACOM customers using or selling MACOM products for use in such applications do so at their own risk and agree to fully indemnify MACOM for any damages resulting from such improper use or sale.