



Chipsmall Limited consists of a professional team with an average of over 10 year of expertise in the distribution of electronic components. Based in Hongkong, we have already established firm and mutual-benefit business relationships with customers from,Europe,America and south Asia,supplying obsolete and hard-to-find components to meet their specific needs.

With the principle of “Quality Parts,Customers Priority,Honest Operation,and Considerate Service”,our business mainly focus on the distribution of electronic components. Line cards we deal with include Microchip,ALPS,ROHM,Xilinx,Pulse,ON,Everlight and Freescale. Main products comprise IC,Modules,Potentiometer,IC Socket,Relay,Connector.Our parts cover such applications as commercial,industrial, and automotives areas.

We are looking forward to setting up business relationship with you and hope to provide you with the best service and solution. Let us make a better world for our industry!



## Contact us

Tel: +86-755-8981 8866 Fax: +86-755-8427 6832

Email & Skype: info@chipsmall.com Web: www.chipsmall.com

Address: A1208, Overseas Decoration Building, #122 Zhenhua RD., Futian, Shenzhen, China

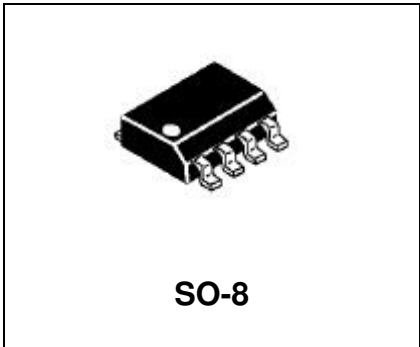


**MRF4427, R1, R2**

**RF & MICROWAVE DISCRETE  
LOW POWER TRANSISTORS**

**Features**

- Low Cost SO-8 Plastic Surface Mount Package.
- S-Parameter Characterization
- Tape and Reel Packaging Options Available
- Low Voltage Version of MRF3866
- Maximum Available Gain – 20dB(typ) @ 200MHz



R1 suffix–Tape and Reel, 500 units  
R2 suffix–Tape and Reel, 2500 units

**DESCRIPTION:** Designed for general-purpose RF amplifier applications, such as; pre-drivers, Oscillators, etc.

**ABSOLUTE MAXIMUM RATINGS (Tcase = 25°C)**

Symbol	Parameter	Value	Unit
V <sub>CEO</sub>	Collector-Emitter Voltage	20	Vdc
V <sub>CBO</sub>	Collector-Base Voltage	40	Vdc
V <sub>EBO</sub>	Emitter-Base Voltage	2.0	Vdc
I <sub>C</sub>	Collector Current	400	mA

**Thermal Data**

P <sub>D</sub>	Total Device Dissipation @ TC = 25°C Derate above 25°C	1.5 12.5	Watts mW/ °C
T <sub>stg</sub>	Storage Temperature	-65 to + 150	°C
R <sub>θJA</sub>	Thermal Resistance, Junction to Ambient	125	°C/W

**ELECTRICAL SPECIFICATIONS (Tcase = 25°C)**
**STATIC**

(off)

Symbol	Test Conditions	Value			Unit
		Min.	Typ.	Max.	
BVCEO	Collector-Emitter Breakdown Voltage (IC = 5.0 mA <sub>dc</sub> , IB = 0)	20	-	-	V <sub>dc</sub>
BVCBO	Collector-Base Breakdown Voltage (IC = 0.1 mA <sub>dc</sub> , IE = 0)	40	-	-	V <sub>dc</sub>
BVEBO	Emitter-Base Breakdown Voltage (IE = 0.1 mA <sub>dc</sub> , IC = 0)	2.0	-	-	V <sub>dc</sub>
ICEO	Collector Cutoff Current (VCE = 20 V <sub>dc</sub> , VBE = 0 V <sub>dc</sub> )	-	-	.02	mA

(on)

HFE	DC Current Gain (IC = 100 mA <sub>dc</sub> , VCE = 5 V <sub>dc</sub> ) (IC = 360 mA <sub>dc</sub> , VCE = 5 V <sub>dc</sub> )	10 5.0	- -	200 -	
VCE(sat)	Collector-Emitter Saturation Voltage (IC = 100 mA <sub>dc</sub> , IB = 20 mA)		60	-	mV <sub>dc</sub>

**DYNAMIC**

Symbol	Test Conditions	Value			Unit
		Min.	Typ.	Max.	
F <sub>tau</sub>	Current-Gain Bandwidth Product (IC = 50 mA <sub>dc</sub> , VCE = 12 V <sub>dc</sub> , f = 200 MHz)	-	1.3	-	GHz
C <sub>ob</sub>	Output Capacitance (VCB = 12 V <sub>dc</sub> , IE = 0, f = 1.0 MHz)	-	-	3.4	GHz

**MRF4427, R1, R2**
**FUNCTIONAL**

Symbol	Test Conditions	Value			Unit
		Min.	Typ.	Max.	
$G_{U \max}$	Maximum Unilateral Gain IC = 50 mAdc, VCE = 12 Vdc, f = 200 MHz	16	18	-	dB
MAG	Maximum Available Gain IC = 50 mAdc, VCE = 12 Vdc, f = 200 MHz	18	20	-	dB
$ S_{21} ^2$	Insertion Gain (calculated) IC = 50 mAdc, VCE = 12 Vdc, f = 200 MHz	12	14	-	dB

Table 1. Common Emitter S-Parameters, @ VCE = 12 V, IC = 50 mA

f (MHz)	S11		S21		S12		S22	
	S11	$\angle \phi$	S21	$\angle \phi$	S12	$\angle \phi$	S22	$\angle \phi$
50	.672	-145	20.15	112	.021	45	.447	-59
100	.721	-163	10.78	96	.026	44	.271	-67
200	.743	-174	5.37	85	.037	54	.199	-72
500	.768	170	2.18	63	.070	59	.264	-86
750	.775	161	1.53	48	.096	62	.356	-98
1000	.778	152	1.07	36	.122	65	.437	-109



# MRF4427, R1, R2

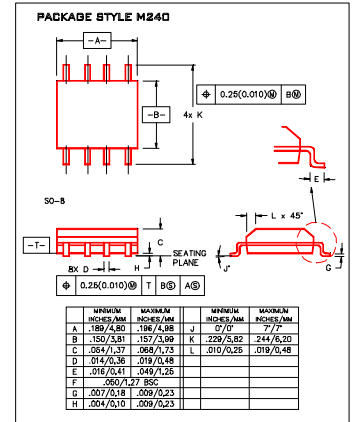
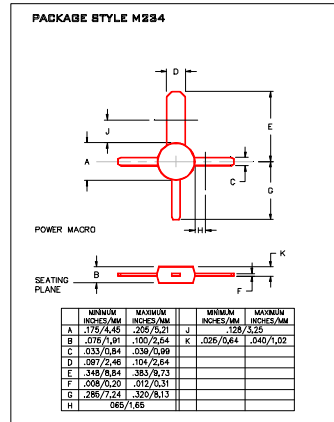
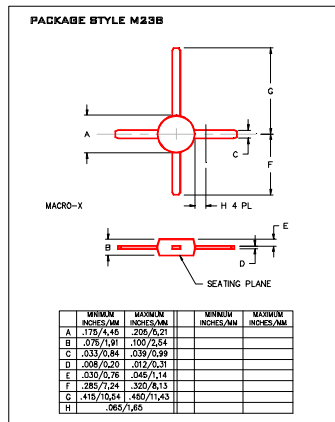
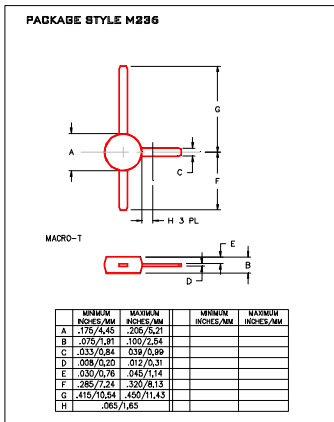
## RF Low Power PA, LNA, and General Purpose Discrete Selector Guide

Package	Device	Type	Freq (MHz)	Pout (watts)	GPE (dB)	Efficiency (%)	GPE VCC	BVCEO	IC max (mA)
SO-8	MRF4427, R2	NPN	175	0.15	18	60	12	20	400
TO-39	2N4427	NPN	175	1	10	50	12	20	400
POWER MACRO	MRF553	NPN	175	1.5	11.5	60	12.5	16	500
POWER MACRO	MRF553T	NPN	175	1.5	11.5	50	12.5	16	500
TO-39	MRF607	NPN	175	1.75	11.5	50	12.5	16	330
TO-39	2N6255	NPN	175	3	7.8	50	12.5	18	1000
TO-72	2N5179	NPN	200		20		6	12	50
MACRO X	MRF559	NPN	512	0.5	10	65	7.5	16	150
MACRO X	MRF559	NPN	512	0.5	13	60	12.5	16	150
TO-39	2N3866A	NPN	400	1	10	45	28	30	400
SO-8	MRF3866, R1, R2	NPN	400	1	10	45	28	30	400
POWER MACRO	MRF555	NPN	470	1.5	11	50	12.5	16	400
POWER MACRO	MRF555T	NPN	470	1.5	11	50	12.5	16	400
MACRO X	MRF559	NPN	870	0.5	6.5	70	7.5	16	150
MACRO X	MRF559	NPN	870	0.5	9.5	65	12.5	16	150
SO-8	MRF8372, R1, R2	NPN	870	0.75	8	55	12.5	16	200
POWER MACRO	MRF557	NPN	870	1.5	8	55	12.5	16	400
POWER MACRO	MRF557T	NPN	870	1.5	8	55	12.5	16	400

Package	Device	Type	Freq (MHz)	NF (dB)	NF IC (mA)	NF VCE	GNF (dB)	Gu Max (dB)	Ftau (MHz)	Ccb(pF)	BVCEO	IC max (mA)
TO-39	2N5109	NPN	200	3	10	15		12	1200	3.5	20	400
TO-39	MRF5943C	NPN	200	3.4	30	15		11.4	1000		30	400
SO-8	MRF5943, R1, R2	NPN	200	3.4	30	15		15	1300		30	400
TO-72	2N5179	NPN	200	4.5	1.5	6		17	900	1	12	50
TO-72	2N2857	NPN	300	5.5	50	6		13	1600	1	15	40
TO-39	MRF517	NPN	300	7.5	50	15		5.5	4600	3	25	150
TO-72	MRF904	NPN	450	1.5	5	6		11	4000	1	15	30
TO-72	2N6304	NPN	450	5	2	5		14	1400	1	15	50
MACRO T	BFR91	NPN	500	1.9	2	5	11	16.5	5000	1	12	35
MACRO T	BFR96	NPN	500	2	10	10		14.5	500	2.6	15	100
SO-8	MRF5812, R1, R2	NPN	500	2	50	10	15.5	17.8	5000		15	200
MACRO X	MRF581A	NPN	500	2	50	10	14	15	5000		15	200
Macro	BFR90	NPN	500	2.4	2	10	15	18	5000	1	15	30
TO-72	BFY90	NPN	500	2.5	2	5		20	1300		15	50
TO-72	MRF914	NPN	500	2.5	5	10		15	4500		12	40
MACRO X	MRF581	NPN	500	2.5	50	10	15	17.8	5000		16	200
TO-39	MRF586	NPN	500	3	90	15	11	14.5	4500	2.2	17	200
MACRO X	MRF951	NPN	1000	1.3	5	6	14	17	8000	0.45	10	100
MACRO X	MRF571	NPN	1000	1.5	10	6	10		8000	1	10	70
MACRO T	BFR91	NPN	1000	2.5	2	5	8	11	5000	1	12	35
MACRO T	BFR90	NPN	1000	3	2	10	10	12.5	5000	1	15	30
TO-39	MRF545	PNP						14	1400	2	70	400
TO-39	MRF544	NPN						13.5	1500		70	400

### RF (Low Power PA / General Purpose) Selection Guide

### RF (LNA / General Purpose) Selection Guide



**MRF4427, R1, R2**

