



Chipsmall Limited consists of a professional team with an average of over 10 year of expertise in the distribution of electronic components. Based in Hongkong, we have already established firm and mutual-benefit business relationships with customers from,Europe,America and south Asia,supplying obsolete and hard-to-find components to meet their specific needs.

With the principle of “Quality Parts,Customers Priority,Honest Operation,and Considerate Service”,our business mainly focus on the distribution of electronic components. Line cards we deal with include Microchip,ALPS,ROHM,Xilinx,Pulse,ON,Everlight and Freescale. Main products comprise IC,Modules,Potentiometer,IC Socket,Relay,Connector.Our parts cover such applications as commercial,industrial, and automotives areas.

We are looking forward to setting up business relationship with you and hope to provide you with the best service and solution. Let us make a better world for our industry!



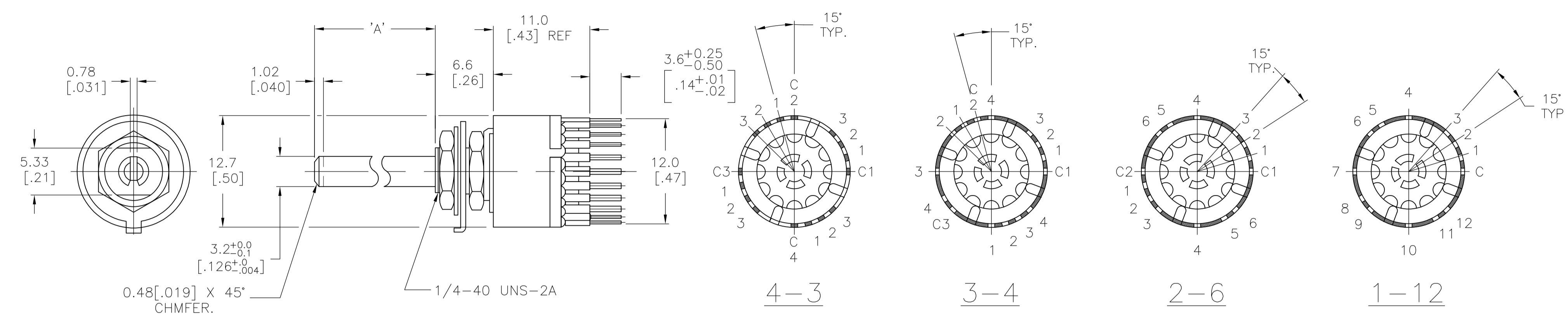
## Contact us

Tel: +86-755-8981 8866 Fax: +86-755-8427 6832

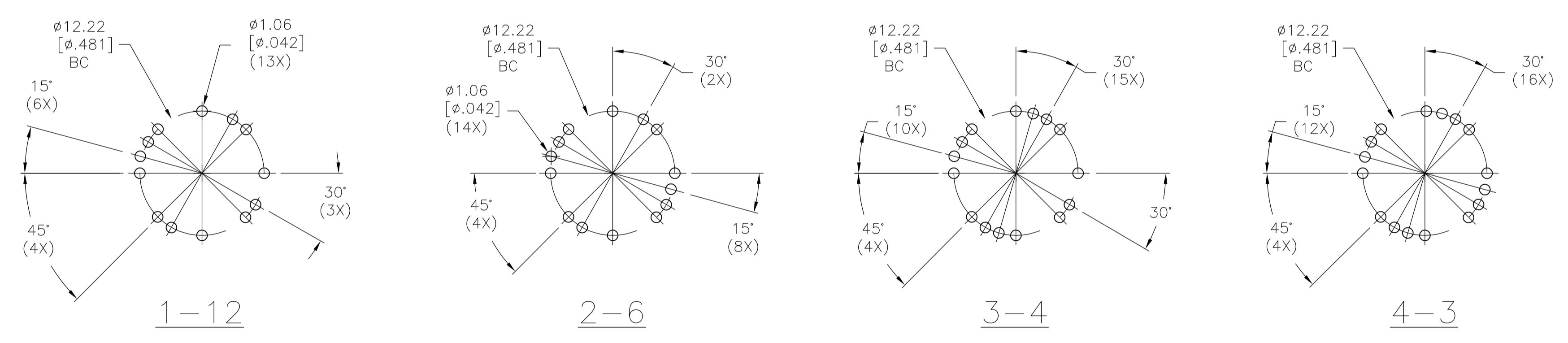
Email & Skype: info@chipsmall.com Web: www.chipsmall.com

Address: A1208, Overseas Decoration Building, #122 Zhenhua RD., Futian, Shenzhen, China





SPECIFICATIONS	
RATING	.4VA MAX. @ 20VDC, OR PEAK AC
TIMING	BREAK BEFORE MAKE
INITIAL CONTACT RESISTANCE	30 MILLIOHMS MAX
INSULATION RESISTANCE	10,000 MEGOHMS MIN
DIELECTRIC WITHSTANDING VOLTAGE	1,000 VRMS AT SEA LEVEL
DURABILITY	10,000 CYCLES @ .4VA RESISTIVE
	30,000 CYCLES @ .1μA 12VDC RESISTIVE
OPERATING FORCE	14 INCH OUNCES
OPERATING TEMPERATURE	-20°C TO +70°C
STORAGE TEMPERATURE	-20°C TO +70°C



RECOMMENDED PCB HOLE LAYOUTS (VIEWED FROM SHAFT END)  
TOLERANCE ±.002. UNLESS OTHERWISE NOTED.

NOTES:

1. TERMINAL NUMBERS ARE FOR REFERENCE ONLY AND DO NOT APPEAR ON SWITCHES.
2. ALL MATERIALS AND FINISHES SHALL COMPLY WITH EU DIRECTIVE 2002/95/EC OF 27JAN2003 (ROHS).
3. EACH SWITCH SUPPLIED WITH THE FOLLOWING MOUNTING HARDWARE:  
(2) HEX NUTS.  
(1) LOCKING RING FOR ANTIROTATION.  
(1) INTERNAL TOOTH LOCKWASHER.

MATERIALS		
COMPONENT NAME	BASE MATERIAL	FINISH
BASE	EPOXY	-
FIXED CONTACT	BRASS	GOLD OVER NICKEL
TERMINAL	BRASS	TIN OVER NICKEL
MOVEABLE CONTACT	PHOSPHOR BRONZE	GOLD OVER NICKEL
ROTOR	PBT	-
BALL	STEEL	-
SPRING	PIANO WIRE	-
STOPPER	STEEL	ZINC
BUSHING	ZINC	NICKEL
SHAFT	BRASS	NICKEL
LOCKING RING	STEEL	ZINC
HEX NUT	BRASS	NICKEL
INTERNAL TOOTH LOCKWASHER	STEEL	ZINC

9 [.35]	3~4 ADJUSTABLE	3	MRJ34904	1825535-5
19 [.75]	4~3 ADJUSTABLE	4	MRJ4304	1825535-4
19 [.75]	3~4 ADJUSTABLE	3	MRJ3404	1825535-3
19 [.75]	2~6 ADJUSTABLE	2	MRJ2604	1825535-2
19 [.75]	1~12 ADJUSTABLE	1	MRJ11204	1825535-1
"A" SHAFT LENGTH	POSITIONS	NO. OF POLES	ALCO P/N	PART NUMBER

THIS DRAWING IS A CONTROLLED DOCUMENT.		DIN	REV B ED	D4MAY83
DIMENSIONS: mm [INCHES]		CIK	-	-
TOLERANCES UNLESS OTHERWISE SPECIFIED:		APVD	-	-
0 PLC ± -		NAME	MINIATURE ROTARY SWITCH	
1 PLC ± 5.08 [.2]		PRODUCT SPEC	12 POS.-30° DETENT (MRJ SERIES)	
2 PLC ± 2.54 [.1]		APPLICATION SPEC	-	
3 PLC ± -		SIZE	CAGE CODE	DRAWING NO
4 PLC ± -		RESTRICTED TO	A1	00779
ANGLES ± ± 1°		WEIGHT	1825535	-
MATERIAL SEE SPECIFICATIONS	FINISH SEE SPECIFICATIONS	CUSTOMER DRAWING	SCALE	3:1
		SHEET	1	OF 1
		REV	A4	