



Chipsmall Limited consists of a professional team with an average of over 10 year of expertise in the distribution of electronic components. Based in Hongkong, we have already established firm and mutual-benefit business relationships with customers from,Europe,America and south Asia,supplying obsolete and hard-to-find components to meet their specific needs.

With the principle of “Quality Parts,Customers Priority,Honest Operation,and Considerate Service”,our business mainly focus on the distribution of electronic components. Line cards we deal with include Microchip,ALPS,ROHM,Xilinx,Pulse,ON,Everlight and Freescale. Main products comprise IC,Modules,Potentiometer,IC Socket,Relay,Connector.Our parts cover such applications as commercial,industrial, and automotives areas.

We are looking forward to setting up business relationship with you and hope to provide you with the best service and solution. Let us make a better world for our industry!



Contact us

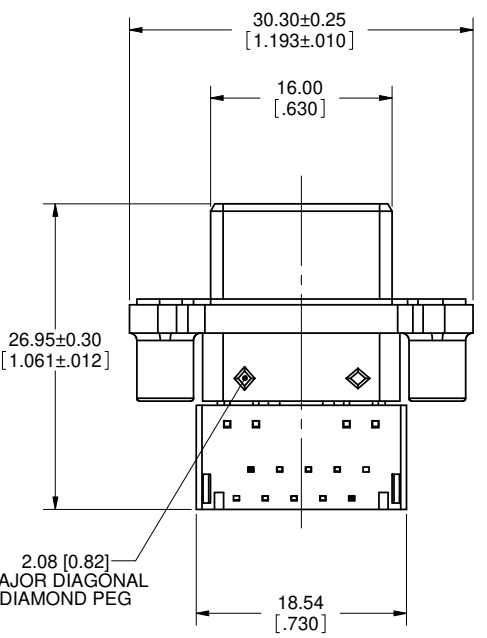
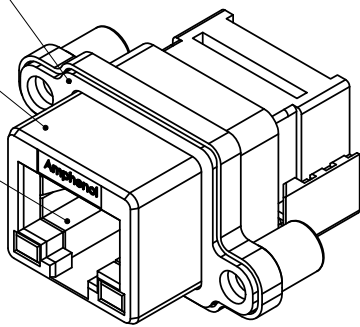
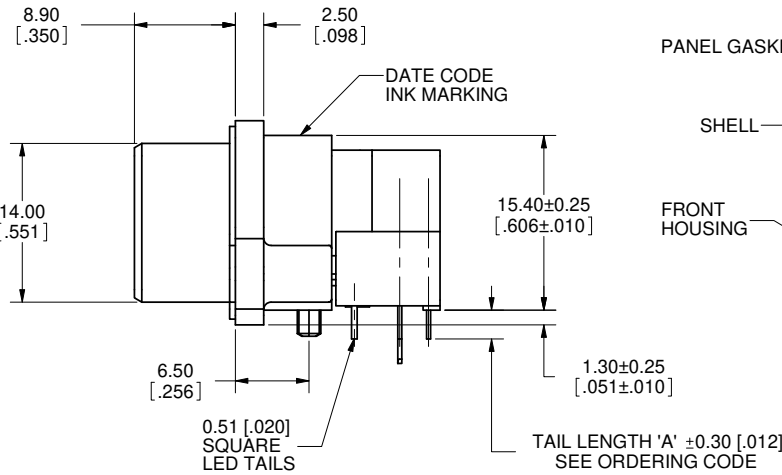
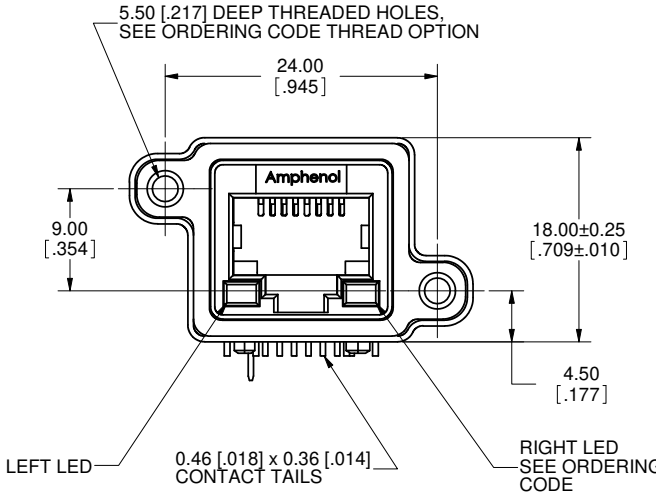
Tel: +86-755-8981 8866 Fax: +86-755-8427 6832

Email & Skype: info@chipsmall.com Web: www.chipsmall.com

Address: A1208, Overseas Decoration Building, #122 Zhenhua RD., Futian, Shenzhen, China



REVISIONS			
REV	DESCRIPTION, ECN, EAR NO.	DATE	APP'D
K	PRODUCT DRAWING (EAR 13638)	DEC09/09	K.L.
L	PRODUCT DRAWING (EAR 14330)	DEC11/14	K.L.



ORDERING CODE: MRJ-53XX-X1

- SERIES, RUGGED RJ
- RECEPTACLE, RIGHT ANGLE, PCB TAIL
- NUMBER OF CONTACTS
8= 8 CONTACTS
A=10 CONTACTS
- LED OPTION
0=NONE
1=GREEN LEFT, YELLOW RIGHT
4=YELLOW LEFT, GREEN RIGHT
5=GREEN LEFT, GREEN RIGHT
A=BI-COLOUR GREEN/YELLOW LEFT
BI-COLOUR GREEN/YELLOW RIGHT
D=GREEN LEFT
BI-COLOUR GREEN/YELLOW RIGHT
E=YELLOW LEFT
BI-COLOUR GREEN/YELLOW RIGHT
- TAIL LENGTH AND MOUNTING HOLE THREAD OPTION
0= TAIL LENGTH A=2.54 [.100], #4-40 UNC THREAD
B= TAIL LENGTH A=3.81 [.150], #4-40 UNC THREAD
M= TAIL LENGTH A=2.54 [.100], M3 x 0.5 THREAD
P= TAIL LENGTH A=3.81 [.150], M3 x 0.5 THREAD
- SINGLE PORT

NOTES:

1. MATERIAL:
ALL MATERIALS ARE RoHS COMPLIANT PER EU DIRECTIVE 2011/65/EU AND AMENDMENTS
 - SHELL - DIECAST ZINC, NICKEL PLATED
 - CONTACTS - PHOSPHOR BRONZE WITH 50 MICROINCHES (1.27 MICRONS) GOLD OVER 50 MICROINCHES (1.27 MICRONS) MINIMUM NICKEL ON THE MATING AREA AND MATTE TIN OVER NICKEL ON THE CONTACT TAILS.
 - INSERTS - ENGINEERING THERMOPLASTIC, UL FLAMMABILITY RATING 94V-0, REAR INSERTS: BLACK NYLON, FRONT INSERT: CLEAR POLYCARBONATE
 - LED'S - EPOXY LENS, STEEL TAILS WITH TIN PLATING
 - GASKET - SILICONE RUBBER, BLACK
2. ENVIRONMENTAL PERFORMANCE PER IEC 60529 CODE IP67 FOR SEAL BETWEEN MATING AREA AND PCB SIDE OF CONNECTOR. GASKET PROVIDES SEAL TO INSIDE FACE OF PANEL.
3. CURRENT RATING: 1.5 AMPERES
4. CONTACT RESISTANCE: 30 MILLIOHMS MAXIMUM
5. OPERATING TEMPERATURE: -40°C TO +105°C
6. LED CHARACTERISTICS: FORWARD DC CURRENT 25 mA MAX., FORWARD VOLTAGE 2.5 V MAX@ 2 mA
7. AVAILABLE MATING AREA COVERS PROVIDE ADDED PROTECTION. CONSULT WITH AMPHENOL CANADA FOR DETAILS.
8. CUSTOMER TO VERIFY THAT ALL PROCESS CLEANERS ARE COMPATIBLE WITH POLYCARBONATE MATERIAL.

SPECIAL CONNECTORS
MANY UNIQUE FEATURES ARE READILY AVAILABLE TO SUIT CUSTOMER REQUIREMENTS. CONSULT WITH AMPHENOL CANADA FOR DETAILS.



UNLESS SPECIFIED OTHERWISE	DRAWN	S.SEMENOV	NOV11/04
PRIMARY UNITS MILLIMETERS	CHECKED		
SECONDARY UNITS INCHES	M.E. APP'D		
REFERENCE IN PARENTHESES	Q.A. APP'D		
GENERAL TOLERANCES	DWG APPR.	A. GREEN	NOV11/04
1 DECIMAL PLACE	ENG. REL. NO.		
2 DECIMAL PLACES ±0.15	REF.		
3 DECIMAL PLACES	THIRD ANGLE PROJECTION		
ANGULAR DEGREES	DO NOT SCALE DRAWING		

Amphenol Canada Corp.
www.amphenolcanada.com

MRJ SERIES RUGGED MODULAR JACK, 8 & 10 POSITION RIGHT ANGLE, WITH LED, TAIL LENGTH & THREAD OPTIONS, RoHS COMPLIANT

DWG. NO. **P-MRJ-53XX-X1** REV **L**

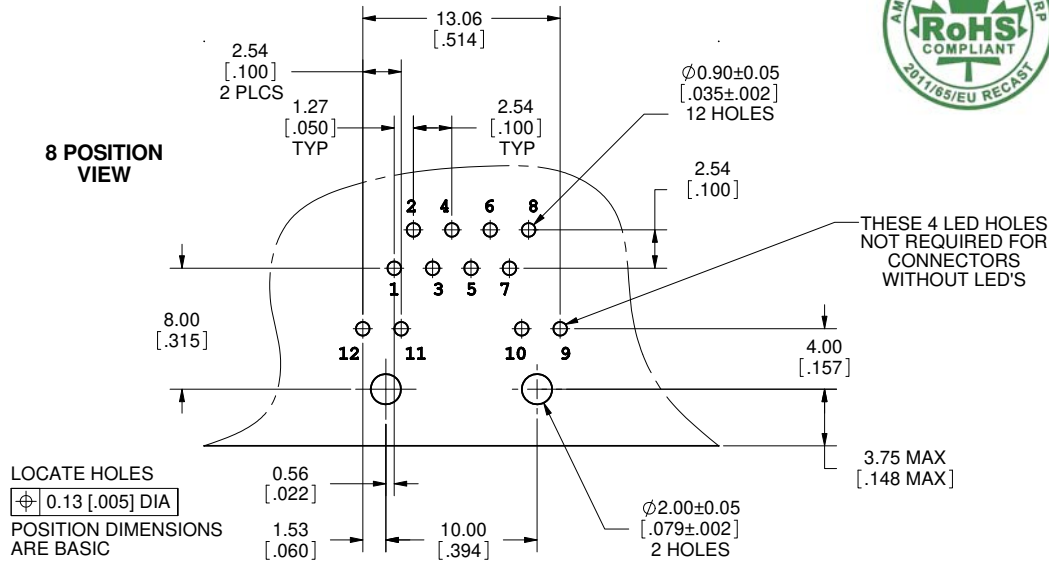
CODE ID NO. 03554 DWG SIZE: C SCALE: 3:1 SHEET 1 OF 2

RECOMMENDED P.C.B. LAYOUT
COMPONENT SIDE OF BOARD

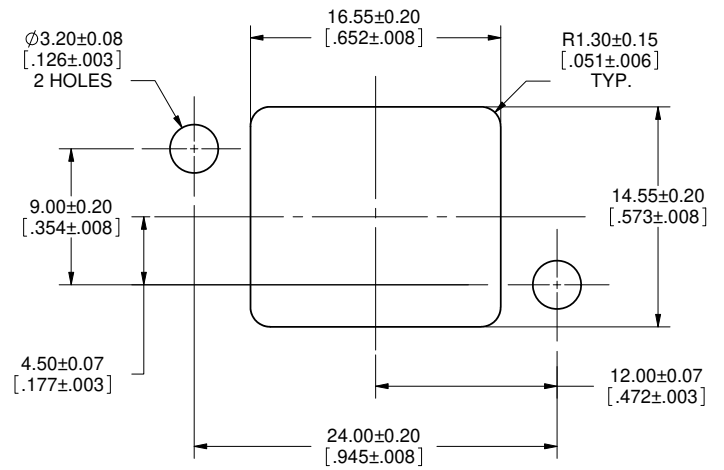


REVISIONS			
REV	DESCRIPTION, ECN, EAR NO.	DATE	APP'D
K	PRODUCT DRAWING (EAR 13638)	DEC09/09	K.L
L	PRODUCT DRAWING (EAR 14330)	DEC11/14	K.L

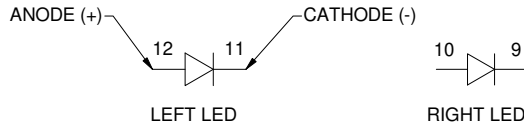
8 POSITION VIEW



LOCATE HOLES
0.13 [0.005] DIA
POSITION DIMENSIONS ARE BASIC

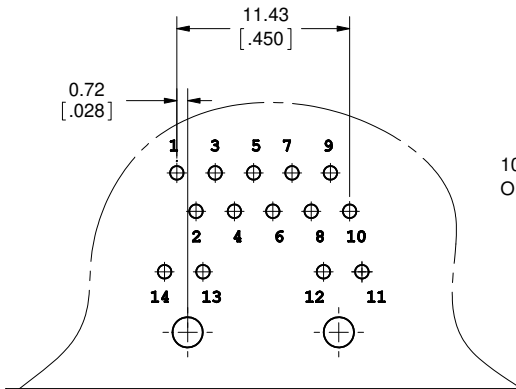


RECOMMENDED PANEL CUTOUT
FRONT OF PANEL

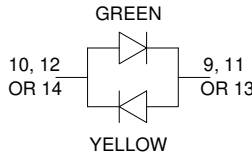


8 POSITION LED SCHEMATIC
GREEN OR YELLOW

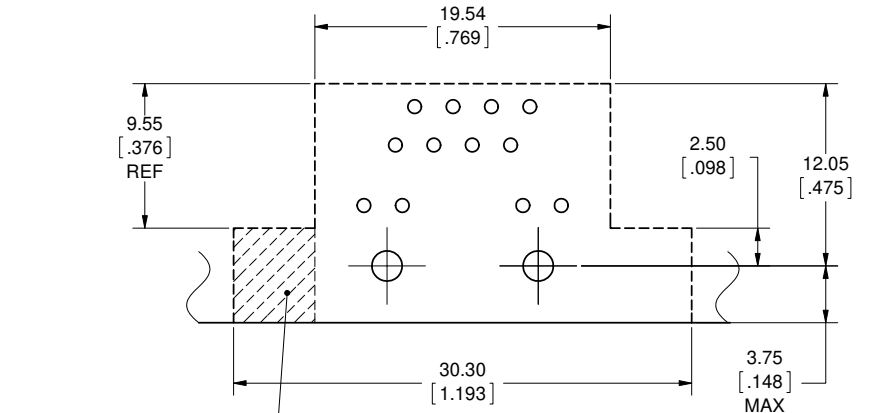
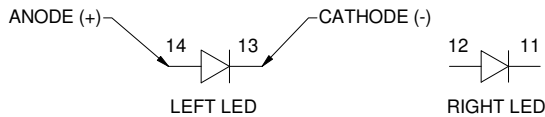
10 POSITION VIEW



BI-COLOUR LED SCHEMATIC
LEFT OR RIGHT SIDE,
8 OR 10 POSITION



10 POSITION LED SCHEMATIC
GREEN OR YELLOW



RECOMMENDED KEEP-OUT ZONE
COMPONENT SIDE OF BOARD

UNLESS SPECIFIED OTHERWISE	DRAWN	S. SEMENOV	NOV11/04
PRIMARY UNITS MILLIMETERS	CHECKED		
SECONDARY UNITS INCHES	M.E. APP'D		
REFERENCE IN PARENTHESES	Q.A. APP'D		
GENERAL TOLERANCES	DWG APPR.	A. GREEN	NOV11/04
1 DECIMAL PLACE	ENG. REL. NO.		
2 DECIMAL PLACES ±0.15	REF.		
3 DECIMAL PLACES	THIRD ANGLE PROJECTION		
ANGULAR DEGREES	DO NOT SCALE DRAWING		

Amphenol Canada Corp.
www.amphenolcanada.com

MRJ SERIES RUGGED MODULAR JACK, 8 & 10 POSITION RIGHT ANGLE, WITH LED, TAIL LENGTH & THREAD OPTIONS, RoHS COMPLIANT

DWG. NO.	P-MRJ-53XX-X1	REV	L
CODE ID NO. 03554	DWG SIZE: C	SCALE: 3:1	SHEET 2 OF 2