



Chipsmall Limited consists of a professional team with an average of over 10 year of expertise in the distribution of electronic components. Based in Hongkong, we have already established firm and mutual-benefit business relationships with customers from,Europe,America and south Asia,supplying obsolete and hard-to-find components to meet their specific needs.

With the principle of “Quality Parts,Customers Priority,Honest Operation,and Considerate Service”,our business mainly focus on the distribution of electronic components. Line cards we deal with include Microchip,ALPS,ROHM,Xilinx,Pulse,ON,Everlight and Freescale. Main products comprise IC,Modules,Potentiometer,IC Socket,Relay,Connector.Our parts cover such applications as commercial,industrial, and automotives areas.

We are looking forward to setting up business relationship with you and hope to provide you with the best service and solution. Let us make a better world for our industry!



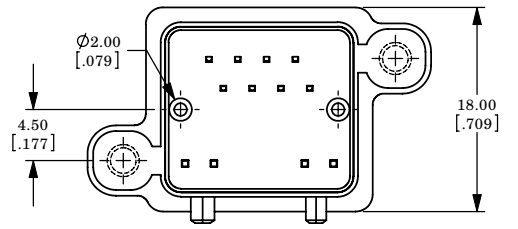
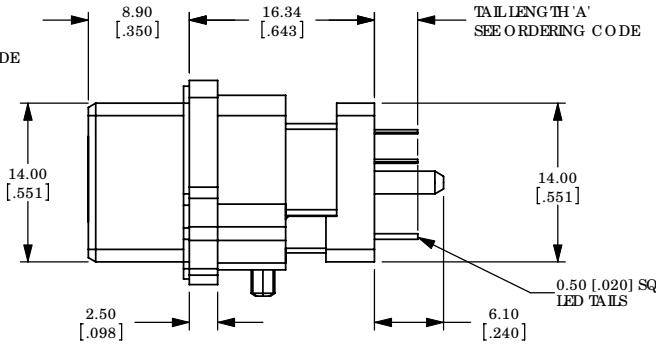
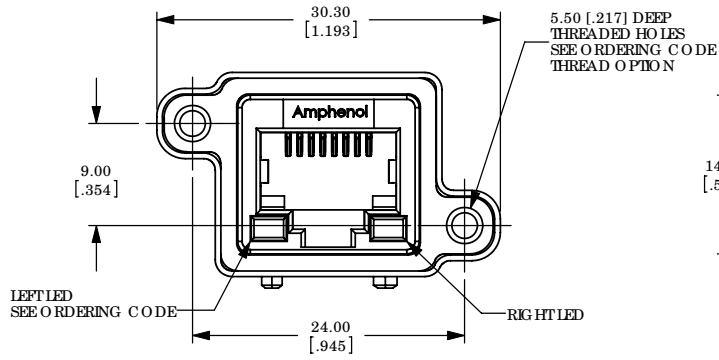
Contact us

Tel: +86-755-8981 8866 Fax: +86-755-8427 6832

Email & Skype: info@chipsmall.com Web: www.chipsmall.com

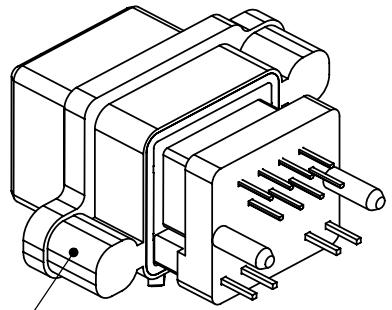
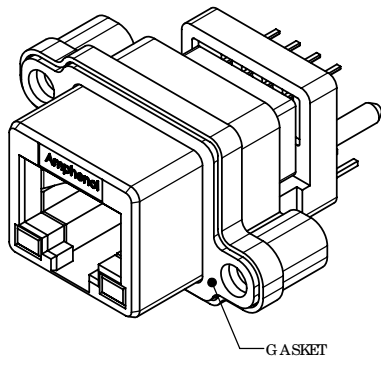
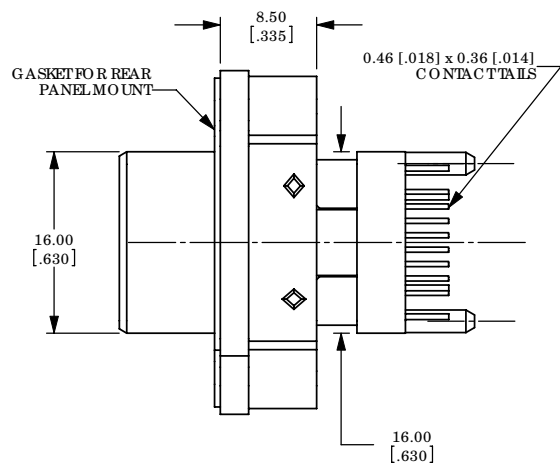
Address: A1208, Overseas Decoration Building, #122 Zhenhua RD., Futian, Shenzhen, China





ORDERING CODE: **MRJ-548X-XF**

- SERIES, RUGGED RJ
- RECEPTACLE
- VERTICAL MOUNT
- NUMBER OF CONTACTS
- LED OPTION
 - 0 - NONE
 - 1 - GREEN LEFT, YELLOW RIGHT
 - 4 - YELLOW LEFT, GREEN RIGHT
 - 5 - GREEN LEFT, GREEN RIGHT
- TAIL LENGTH AND MOUNTING HOLE THREAD OPTIONS
 - 0 - TAIL LENGTH A=2.54 [.100], # 4-40 UNC THREAD
 - B - TAIL LENGTH A=3.81 [.150], # 4-40 UNC THREAD
 - M - TAIL LENGTH A=2.54 [.100], M3 x 0.5 THREAD
 - P - TAIL LENGTH A=3.81 [.150], M3 x 0.5 THREAD
- SINGLE PORT WITH GASKET FOR REAR PANEL MOUNT AND BLIND MTG HOLES



NOTES:

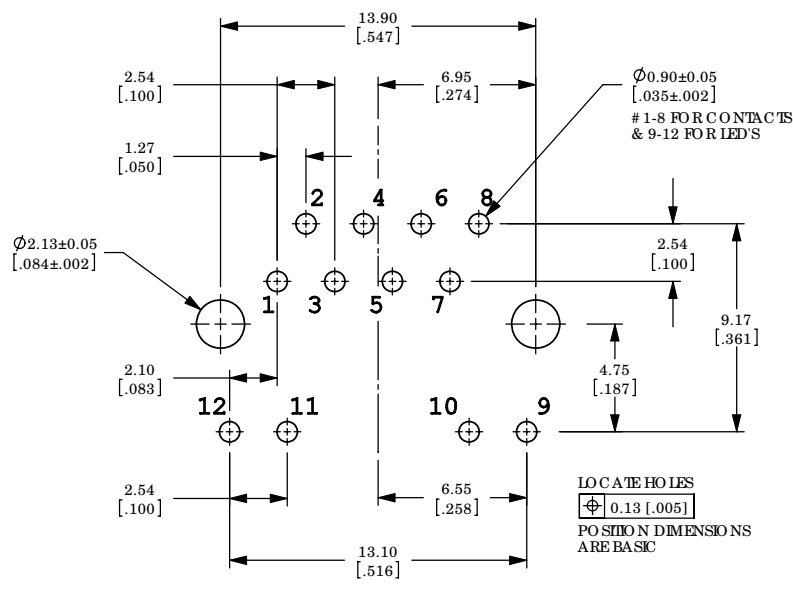
1. MATERIAL: ALL MATERIALS ARE RoHS COMPLIANT PER EU DIRECTIVE 2002/95/EC AND AMENDMENTS
 - SHELL - DIE CAST ZINC, NICKEL PLATED
 - CONTACTS - PHOSPHOR BRONZE WITH 50 MICRONS (1.27 MICRONS) GOLD OVER 50 MICRONS (1.27 MICRONS) MINIMUM NICKEL ON THE MATING AREA AND MATTE TIN OVER NICKEL ON THE CONTACT TAILS.
 - INSERTS - ENGINEERING THERMOPLASTIC, UL FLAMMABILITY RATING 94V-0, REAR INSERTS: BLACK, FRONT INSERT CLEAR
 - LED'S - EPOXY LENS, STEEL TAILS WITH TIN PLATING
 - GASKET - SILICONE RUBBER
2. ENVIRONMENTAL PERFORMANCE PER IEC 60529 CODE IP67 FOR SEAL BETWEEN MATING AREA AND PCB SIDE OF CONNECTOR. GASKET PROVIDES SEAL TO INSIDE FACE OF PANEL.
3. CURRENT RATING: 1.5 AMPERES.
4. CONTACT RESISTANCE: 30 MILLIOHMS MAXIMUM.
5. OPERATING TEMPERATURE: -40 °C TO +105 °C.
6. AVAILABLE MATING AREA COVERS PROVIDE ADDED PROTECTION. CONSULT WITH AMPHENOL CANADA FOR DETAILS.



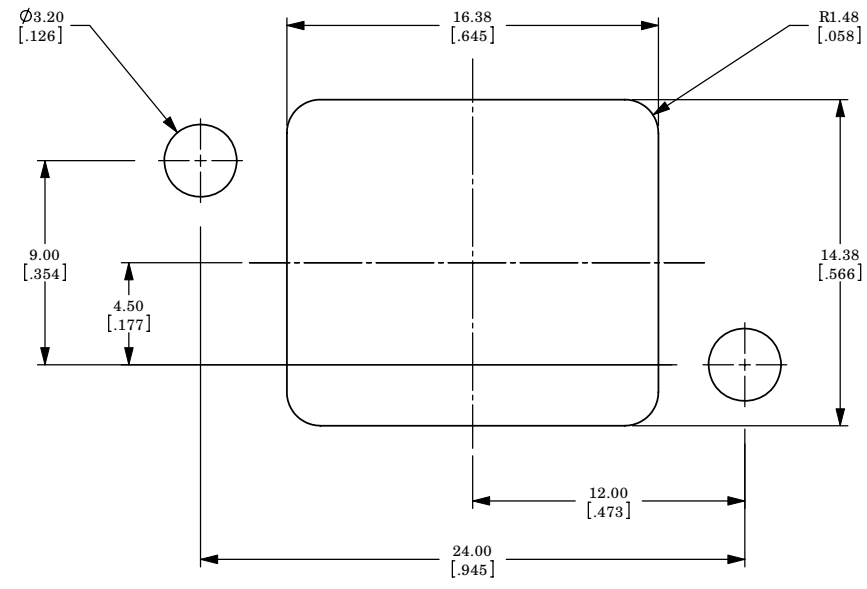
| | | | |
|-------------------------------|-------------------------|-------------------------------|----------------------------------------------------------------------------------------------------------------------------------|
| UNLESS OTHERWISE SPECIFIED: | | DATE: | Amphenol Canada Corp. |
| DIMENSIONS ARE IN MILLIMETERS | DRAWN: G.LI | 02/22/08 | |
| FRAC TO INCH | DESIGNED: | | MRJ SERIES RUGGED MODULAR JACK 8 POSITION VERTICAL, LED, THREAD & TAIL OPTIONS, REAR PANEL MOUNT, BLIND MOUNTING, RoHS COMPLIANT |
| ANGULAR MATCH BEND | CHIEF: K.LAMBE | 02/22/08 | |
| TWO PLACES MAX | 1.E. APP'D: | | SIZE DWG. NO. |
| THREE PLACES MAX | DATE: | | C P-MRJ-548X-XF |
| APPROVED TO MFG: | Q.A. APP'D: | | REV |
| FOR DRG. PER: | DATE: | | A |
| MATERIAL: | ENG. REL. NO. EAR 13229 | | SCALE 3:1 |
| NECESSARY | USED ON: | ISSUE: | WEIGHT |
| | | DIMENSIONS ARE IN MILLIMETERS | SHEET 1 OF 2 |
| APPLICATION: | DO NOT SCALE DRAWING | C.O.D.E.D. NO.: | |

PROPRIETARY AND CONFIDENTIAL
THIS DOCUMENT CONTAINS PROPRIETARY INFORMATION AND SUCH INFORMATION MAY NOT BE DISCLOSED TO OTHERS FOR ANY PURPOSE OR USED FOR MANUFACTURING PURPOSES WITHOUT WRITTEN PERMISSION FROM AMPHENOL CANADA CORP.

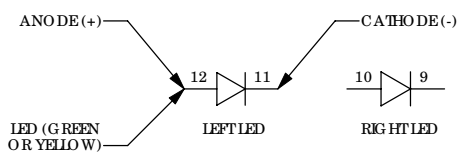
| REVISIONS | | | |
|-----------|-----------------------------|----------|--------|
| REV | ECN, ERN NO. | DATE | APPRD. |
| A | PRODUCT DRAWING (EAR 13229) | FEB22/08 | KL |



RECOMMENDED P.C.B. LAYOUT
(COMPONENT SIDE OF BOARD)



RECOMMENDED PANEL CUTOUT
(FRONT OF PANEL)



LED POLARITY



PROPRIETARY AND CONFIDENTIAL
 THIS DOCUMENT CONTAINS
 PROPRIETARY INFORMATION AND SUCH
 INFORMATION MAY NOT BE DISCLOSED
 TO OTHERS FOR ANY PURPOSE OR USED
 FOR MANUFACTURING PURPOSES
 WITHOUT WRITTEN PERMISSION FROM
 AMPHENOL CANADA CORP.

| | | |
|-------------------------------|-------------------------------|----------------------------------------------------------------------------------------------------------------------------------|
| UNLESS OTHERWISE SPECIFIED: | DATE: | Amphenol Canada Corp. |
| DIMENSIONS ARE IN MILLIMETERS | 03/11/08 | |
| FRAC. TO SCALE | DRAWN: G. LI | MRJ SERIES RUGGED MODULAR JACK 8 POSITION VERTICAL, LED, THREAD & TAIL OPTIONS, REAR PANEL MOUNT, BLIND MOUNTING, RoHS COMPLIANT |
| ANGULAR MATCH BEND ± | DESIGNED | |
| TWO PLACES DUAL ± | CHECKED: KLAMBE | SIZE DWG. NO. C P-MRJ-548X-XF REV A |
| THREE PLACES DUAL ± | DATE: 03/22/08 | |
| APPROVED: | Q. A. APPR'D. | SCALE 3:1 |
| APPROVED PER: | DWG. APPR'D. | |
| ING. REL. NO. EAR 13229 | ING. REL. NO. EAR 13229 | SHEET 2 OF 2 |
| APP.: | APP. | |
| MEMBERS: | DIMENSIONS ARE IN MILLIMETERS | |
| CODED NO. | CODED NO. | |
| APPLICATION | DO NOT SCALE DRAWING | |