



Chipsmall Limited consists of a professional team with an average of over 10 year of expertise in the distribution of electronic components. Based in Hongkong, we have already established firm and mutual-benefit business relationships with customers from,Europe,America and south Asia,supplying obsolete and hard-to-find components to meet their specific needs.

With the principle of “Quality Parts,Customers Priority,Honest Operation,and Considerate Service”,our business mainly focus on the distribution of electronic components. Line cards we deal with include Microchip,ALPS,ROHM,Xilinx,Pulse,ON,Everlight and Freescale. Main products comprise IC,Modules,Potentiometer,IC Socket,Relay,Connector.Our parts cover such applications as commercial,industrial, and automotives areas.

We are looking forward to setting up business relationship with you and hope to provide you with the best service and solution. Let us make a better world for our industry!



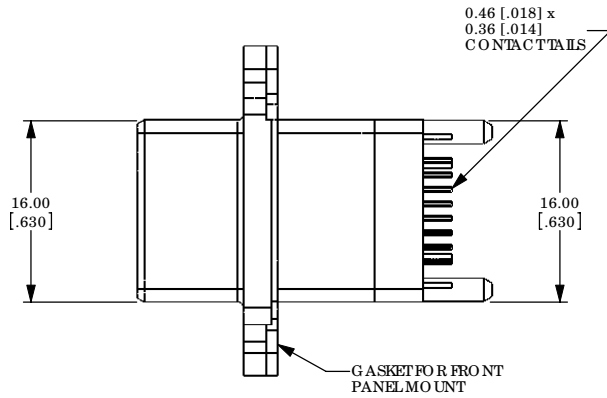
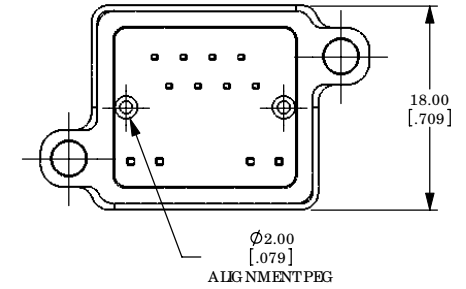
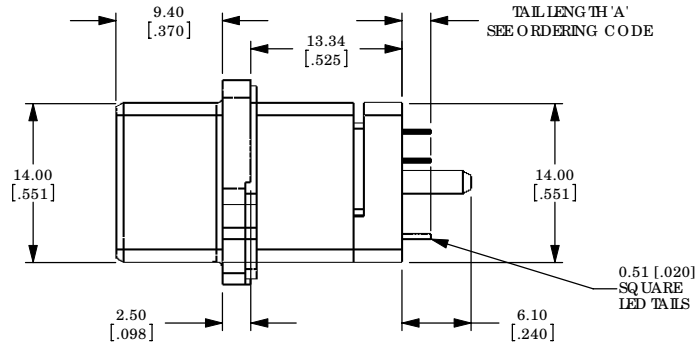
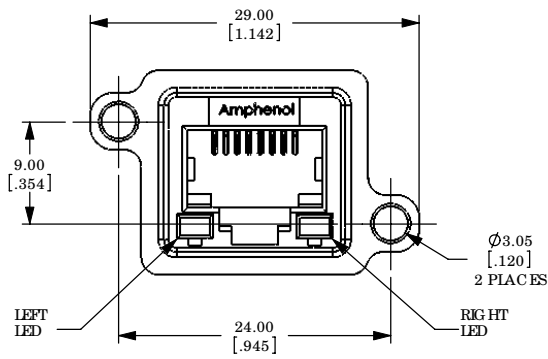
Contact us

Tel: +86-755-8981 8866 Fax: +86-755-8427 6832

Email & Skype: info@chipsmall.com Web: www.chipsmall.com

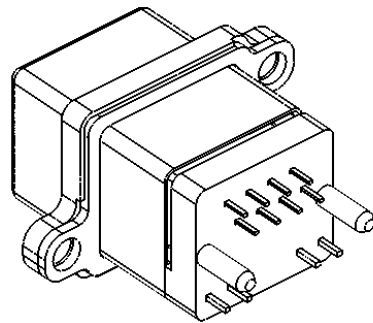
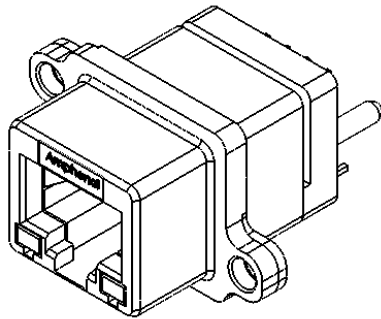
Address: A1208, Overseas Decoration Building, #122 Zhenhua RD., Futian, Shenzhen, China





ORDERING CODE: **MRJ-548X-X1**

SERIES, RUGGED RJ
 RECEPTACLE
 VERTICAL MOUNT
 NUMBER OF CONTACTS
 LED OPTION
 0=NONE
 1=GREEN LEFT, YELLOW RIGHT
 4=YELLOW LEFT, GREEN RIGHT
 5=GREEN LEFT, GREEN RIGHT
 CONTACT TAIL OPTION
 0=TAIL LENGTH A=2.54 [.100]
 B=TAIL LENGTH A=3.81 [.150]
 SINGLE PORT



NOTES:

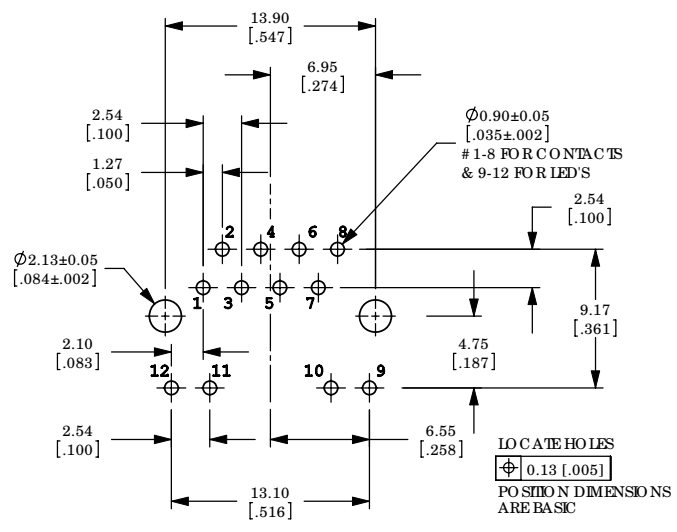
- MATERIAL:
 ALL MATERIALS ARE RoHS COMPLIANT PER EU DIRECTIVE 2002/95/EC AND AMENDMENTS
 • SHELL - DIE CAST ZINC, NICKEL PLATED
 • CONTACTS - PHOSPHOR BRONZE WITH 50 MICRONS (1.27 MICRONS) GOLD OVER 50 MICRONS (1.27 MICRONS) MINIMUM NICKEL ON THE MATING AREA AND MATI/TIN OVER NICKEL ON THE CONTACT TAILS
 • INSERTS - ENGINEERING THERMO PLASTIC, UL FLAMMABILITY RATING 94V-0, REAR INSERTS - BLACK NYLON, FRONT INSERT CLEAR POLYCARBONATE
 • GASKET - SILICONE RUBBER
 • LED S - EPOXY LENS, STEEL TAILS WITH TIN PLATING
- ENVIRONMENTAL PERFORMANCE PER IEC 60529 CODE IP67 FOR SEAL BETWEEN MATING AREA AND PCB SIDE OF CONNECTOR. GASKET PROVIDES FOR SEAL TO INSIDE FACE OF PANEL.
- CURRENT RATING: 1.5 AMPERES.
- CONTACT RESISTANCE: 30 MILLIOHMS MAXIMUM.
- OPERATING TEMPERATURE: -40 °C TO +105 °C.
- AVAILABLE MATING AREA COVERS PROVIDE ADDED PROTECTION. CONSULT WITH AMPHENOL CANADA FOR DETAILS.
- CUSTOMER TO VERIFY THAT ANY PROCESS CLEANERS USED ARE COMPATIBLE WITH POLYCARBONATE MATERIAL.



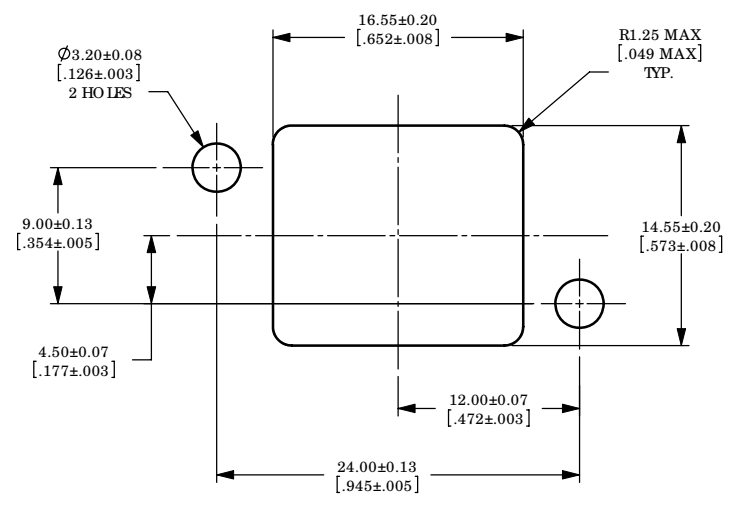
PROPRIETARY AND CONFIDENTIAL
 THIS DOCUMENT CONTAINS
 PROPRIETARY INFORMATION AND SUCH
 INFORMATION MAY NOT BE DISCLOSED
 TO OTHERS FOR ANY PURPOSE OR USED
 FOR MANUFACTURING PURPOSES
 WITHOUT WRITTEN PERMISSION FROM
 AMPHENOL CANADA CORP.

UNLESS OTHERWISE SPECIFIED:		DATE	Amphenol Canada Corp.
DIMENSIONS ARE IN MILLIMETERS	DRAWN	A. DODDS JUN14/07	
FRACTIONAL	DESIGNED		TITLE
ANGULAR MATCH BEND ±	CHECKED	KLAMBE JUN14/07	MRJ SERIES RUGGED MODULAR
TWO PLACE DECIMAL ±	1.E. APP'D		JACK 8 POSITION VERTICAL, LED
THREE PLACE DECIMAL ±	Q. A. APP'D		& TAIL LENGTH OPTIONS, FRONT
	DWG. APP'D		PANEL MOUNT, RoHS COMPLIANT
APPROPRIATE DIMENSIONS PER:	ENG. REL. NO. EAR E13130		SIZE DWG. NO.
MATERIAL	REV		C P-MRJ-548X-X1 B
NECESSARY	USED ON	REVISION	REV
APPLICATION	DO NOT SCALE DRAWING	DIMENSIONS ARE IN MILLIMETERS	SCALE 3:1
		C.O.D.E.D. NO.	WEIGHT
			SHEET 1 OF 2

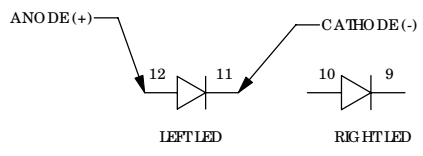
REVISIONS			
REV	ECN, ERN NO.	DATE	APPRD.
B	PRODUCT DRAWING (EAR 13276)	JUN06/08	KL



RECOMMENDED P.C.B. LAYOUT
(COMPONENT SIDE OF BOARD)



RECOMMENDED PANEL CUTOUT
(FRONT OF PANEL)



LED SCHEMATIC
(GREEN OR YELLOW)



PROPRIETARY AND CONFIDENTIAL
THIS DOCUMENT CONTAINS
PROPERTY INFORMATION AND SUCH
INFORMATION MAY NOT BE DISCLOSED
TO OTHERS FOR ANY PURPOSE OR USED
FOR MANUFACTURING PURPOSES
WITHOUT WRITTEN PERMISSION FROM
AMPHENOL CANADA CORP.

UNLESS OTHERWISE SPECIFIED:		DATE	Amphenol Canada Corp.
DIMENSIONS ARE IN MILLIMETERS	DRAWN	A. DO DD	
FRAC. DENOMINATOR	DESIGNED	JUN14/07	TITLE MRJ SERIES RUGGED MODULAR JACK 8 POSITION VERTICAL, LED OPTIONS, FRONT PANEL MOUNT, RoHS COMPLIANT
ANGULAR MATCH BEND ±	CHECKED	KLAMBE	
TWO PLACES DENOM. ±	DATE	JUN14/07	SIZE DWG. NO.
RESISTANCE DENOM. ±	APP'D		C P-MRJ-548X-X1
APPROPRIATE TO MFG:	Q. A. APP'D		REV
DRAWING PER:	DWG. APP'D		B
MATERIAL	ENG. REL. NO.	EAR E13130	SCALE 4:1
NECESSARY	USED ON	PN581	WEIGHT
APPLICATION	DO NOT SCALE DRAWING	DIMENSIONS ARE IN MILLIMETERS	CODED. NO.
			SHEET 2 OF 2