



Chipsmall Limited consists of a professional team with an average of over 10 year of expertise in the distribution of electronic components. Based in Hongkong, we have already established firm and mutual-benefit business relationships with customers from,Europe,America and south Asia,supplying obsolete and hard-to-find components to meet their specific needs.

With the principle of “Quality Parts,Customers Priority,Honest Operation,and Considerate Service”,our business mainly focus on the distribution of electronic components. Line cards we deal with include Microchip,ALPS,ROHM,Xilinx,Pulse,ON,Everlight and Freescale. Main products comprise IC,Modules,Potentiometer,IC Socket,Relay,Connector.Our parts cover such applications as commercial,industrial, and automotives areas.

We are looking forward to setting up business relationship with you and hope to provide you with the best service and solution. Let us make a better world for our industry!



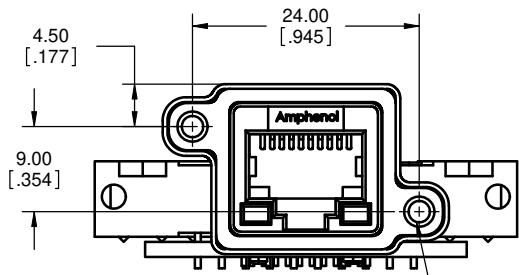
## Contact us

Tel: +86-755-8981 8866 Fax: +86-755-8427 6832

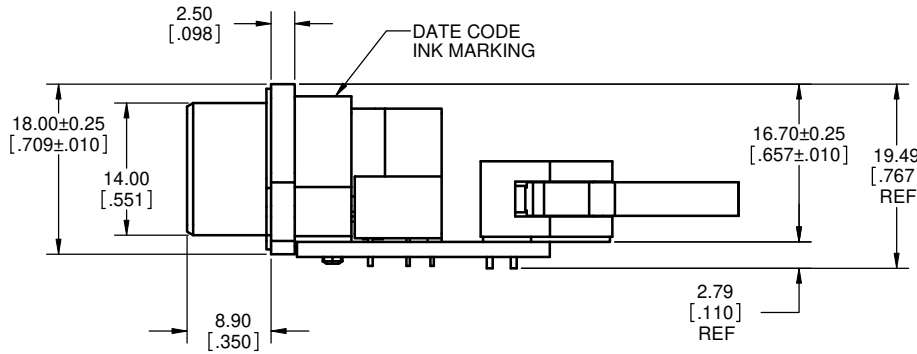
Email & Skype: info@chipsmall.com Web: www.chipsmall.com

Address: A1208, Overseas Decoration Building, #122 Zhenhua RD., Futian, Shenzhen, China

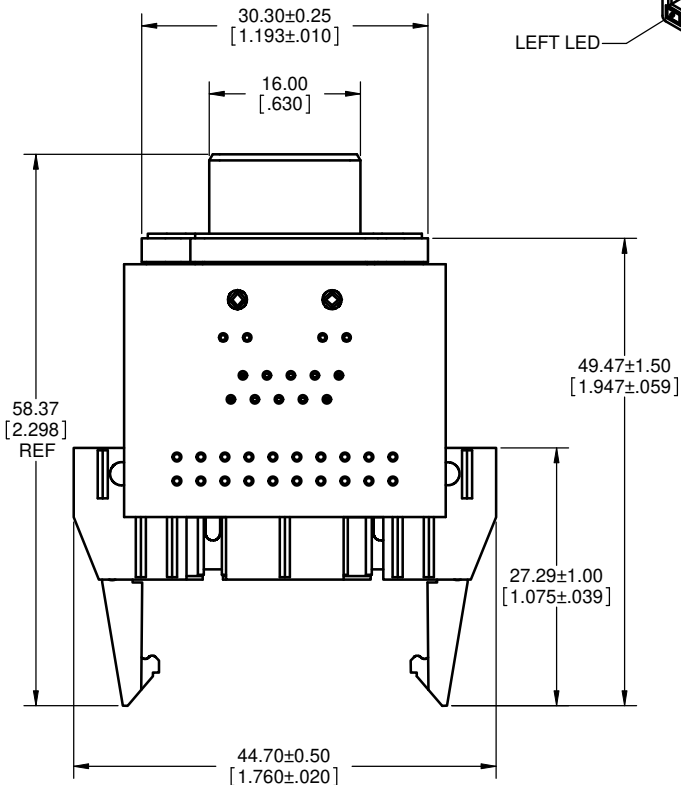
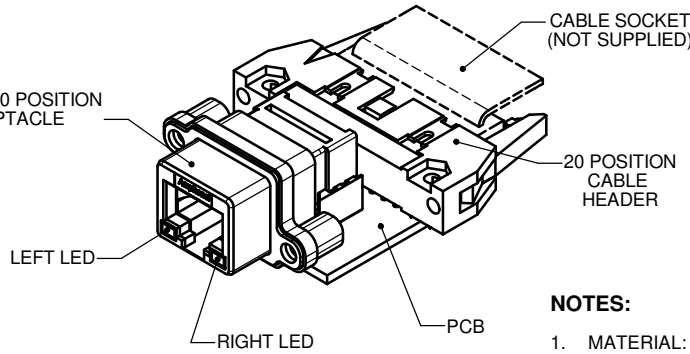




5.50 [.217] DEEP THREADED HOLES SEE ORDERING CODE THREAD OPTION



8 OR 10 POSITION RECEPTACLE



REVISIONS			
REV	DESCRIPTION, ECN, EAR NO.	DATE	APP'D
D	PRODUCT DRAWING (EAR 13840)	MAR17/11	K.L.

**ORDERING CODE: M R J - 5 5 X X - X 1**

SERIES, RUGGED RJ  
RECEPTACLE, RIGHT ANGLE,  
ON PCB WITH RIGHT ANGLE  
CABLE HEADER

NUMBER OF CONTACTS  
8= 8 CONTACTS  
A=10 CONTACTS

LED OPTION  
0=NONE  
1=GREEN LEFT, YELLOW RIGHT  
4=YELLOW LEFT, GREEN RIGHT  
5=GREEN LEFT, GREEN RIGHT

MOUNTING HOLE THREAD  
OPTION  
0= #4-40 UNC THREAD  
M= M3 x 0.5 THREAD

SINGLE PORT

**SPECIAL CONNECTORS:**  
MANY UNIQUE FEATURES ARE READILY  
AVAILABLE TO SUIT CUSTOMER  
REQUIREMENTS. CONSULT WITH AMPHENOL  
CANADA FOR DETAILS.

**NOTES:**

- MATERIAL:**  
ALL MATERIALS ARE RoHS COMPLIANT PER EU DIRECTIVE 2002/95/EC AND AMENDMENTS
  - SHELL - DIECAST ZINC, NICKEL PLATED
  - CONTACTS - PHOSPHOR BRONZE WITH 1.27 MICRONS (50 MICROINCHES) GOLD OVER 1.27 MICRONS (50 MICROINCHES) MINIMUM NICKEL ON THE MATING AREA AND MATTE TIN OVER NICKEL ON THE CONTACT TAILS.
  - INSERTS - ENGINEERING THERMOPLASTIC, UL FLAMMABILITY RATING 94V-0, REAR INSERTS: BLACK NYLON, FRONT INSERT: CLEAR POLYCARBONATE
  - LED'S - EPOXY NYLON, STEEL TAILS WITH TIN PLATING
  - GASKET - SILICONE RUBBER
  - PCB - FR-4 FIBERGLASS, LEAD FREE
  - CABLE HEADER: THERMOPLASTIC HOUSING (UL94V-0, BLACK) WITH BRASS CONTACTS (PLATED GOLD OVER NICKEL), TYCO P/N 5499786-4 OR EQUIVALENT. HEADER MATES WITH TYCO RECEPTACLE 1658620-4 WITH STRAIN RELIEF 499252-2 OR EQUIVALENT.
- ENVIRONMENTAL PERFORMANCE PER IEC 60529 CODE IP67 FOR SEAL BETWEEN MATING AREA AND PCB SIDE OF CONNECTOR. GASKET PROVIDES SEAL TO INSIDE FACE OF PANEL.
- CURRENT RATING: 1.5 AMPERES.
- CONTACT RESISTANCE: 50 MILLIOHMS MAXIMUM (SUBJECT TO VERIFICATION).
- OPERATING TEMPERATURE: -40C TO +105C.
- AVAILABLE MATING AREA COVERS PROVIDE ADDED PROTECTION. CONSULT WITH AMPHENOL CANADA FOR DETAILS.
- CUSTOMER TO VERIFY THAT ALL PROCESS CLEANERS ARE COMPATIBLE WITH POLYCARBONATE MATERIAL.

UNLESS SPECIFIED OTHERWISE	DRAWN	S.SEMENOV	MAR01/07
PRIMARY UNITS MILLIMETERS	CHECKED		
SECONDARY INCHES	M.E. APP'D		
REFERENCE IN PARENTHESES	Q.A. APP'D		
GENERAL TOLERANCES	DWG APPR.	A.GREEN	MAR01/07
1 DECIMAL PLACE	ENG. REL. NO.		
2 DECIMAL PLACES ±0.15	REF.		
3 DECIMAL PLACES	THIRD ANGLE PROJECTION		
ANGULAR DEGREES ±1°	DO NOT SCALE DRAWING		

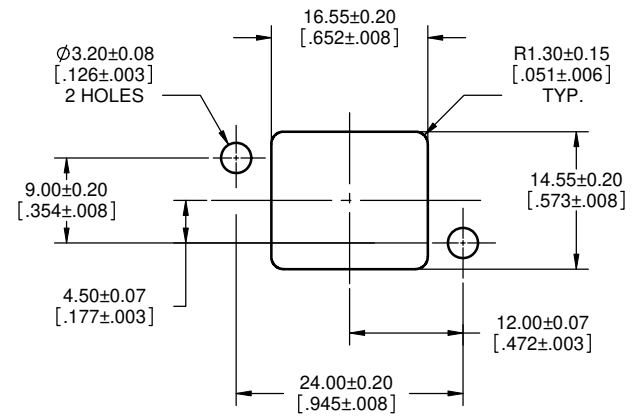
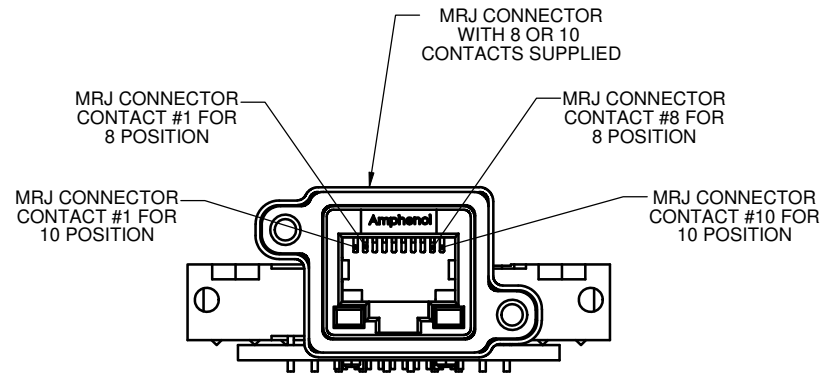
**Amphenol Canada Corp.**  
www.amphenolcanada.com

MRJ SERIES RUGGED MODULAR JACK,  
RIGHT ANGLE, ON PCB WITH RIGHT ANGLE  
CABLE HEADER, 8 OR 10 CONTACTS, LED &  
THREAD OPTIONS, RoHS COMPLIANT

DWG. NO.	P-MRJ-55XX-X1	REV	D
CODE ID NO. 03554	DWG. SIZE: C	SCALE: 2.5:1	SHEET 1 OF 2



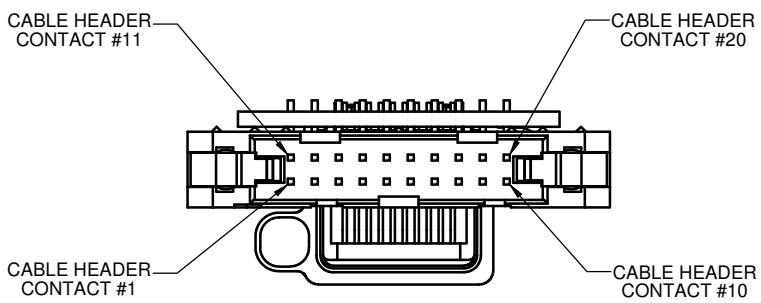
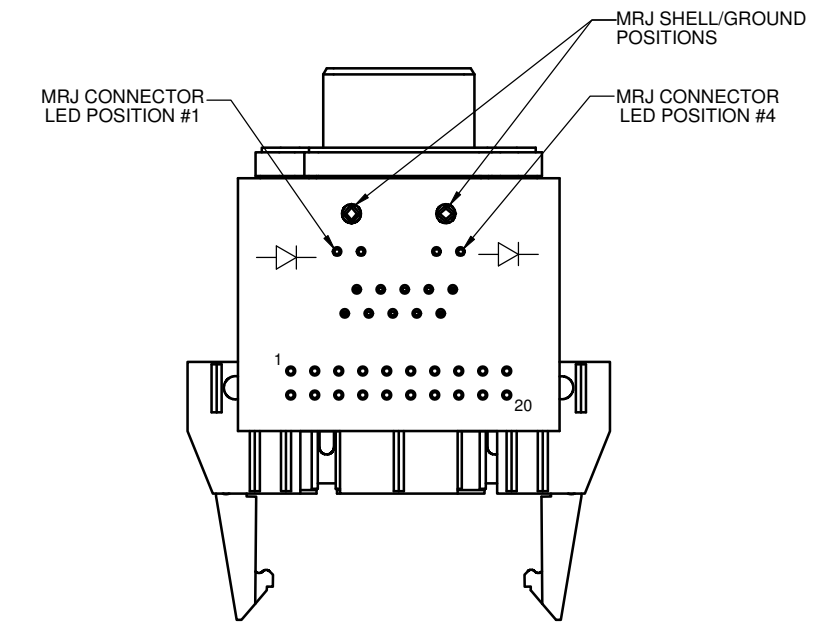
REVISIONS			
REV	DESCRIPTION, ECN, EAR NO.	DATE	APP'D
D	PRODUCT DRAWING (EAR 13840)	MAR04/11	K.L.



**RECOMMENDED PANEL CUTOUT**  
OUTSIDE OF PANEL

**MRJ TO HEADER CONNECTIONS CHART**

MRJ CONNECTOR STYLE		CABLE HEADER CONTACTS
8 POSITION	10 POSITION	
SHELL/GROUND	SHELL/GROUND	10
--	1	2
1	2	12
2	3	3
3	4	13
4	5	4
5	6	14
6	7	5
7	8	15
8	9	6
--	10	16
LED1	LED1	1
LED2	LED2	11
LED3	LED3	7
LED4	LED4	17



UNLESS SPECIFIED OTHERWISE	DRAWN	S. SEMENOV	MAR01/07
PRIMARY UNITS MILLIMETERS	CHECKED		
SECONDARY UNITS INCHES	M.E. APP'D		
REFERENCE IN PARENTHESES	Q.A. APP'D		
GENERAL TOLERANCES	DWG APPR.	A.GREEN	MAR01/07
1 DECIMAL PLACE	ENG. REL. NO.		
2 DECIMAL PLACES $\pm 0.15$	REF.		
3 DECIMAL PLACES	THIRD ANGLE PROJECTION		
ANGULAR DEGREES $\pm 1^\circ$	DO NOT SCALE DRAWING		

**Amphenol Canada Corp.**  
www.amphenolcanada.com

**MRJ SERIES RUGGED MODULAR JACK, RIGHT ANGLE, ON PCB WITH RIGHT ANGLE CABLE HEADER, 8 OR 10 CONTACTS, LED & THREAD OPTIONS, RoHS COMPLIANT**

DWG. NO. **P-MRJ-55XX-X1** REV **D**

CODE ID NO. 03554 DWG SIZE: C SCALE: 2.5:1 SHEET 2 OF 2

THIS DOCUMENT CONTAINS PROPRIETARY INFORMATION AND SUCH INFORMATION MAY NOT BE DISCLOSED TO OTHERS FOR ANY PURPOSE OR USED FOR MANUFACTURING PURPOSES WITHOUT WRITTEN PERMISSION FROM AMPHENOL CANADA CORP.