



Chipsmall Limited consists of a professional team with an average of over 10 year of expertise in the distribution of electronic components. Based in Hongkong, we have already established firm and mutual-benefit business relationships with customers from,Europe,America and south Asia,supplying obsolete and hard-to-find components to meet their specific needs.

With the principle of “Quality Parts,Customers Priority,Honest Operation,and Considerate Service”,our business mainly focus on the distribution of electronic components. Line cards we deal with include Microchip,ALPS,ROHM,Xilinx,Pulse,ON,Everlight and Freescale. Main products comprise IC,Modules,Potentiometer,IC Socket,Relay,Connector.Our parts cover such applications as commercial,industrial, and automotives areas.

We are looking forward to setting up business relationship with you and hope to provide you with the best service and solution. Let us make a better world for our industry!



## Contact us

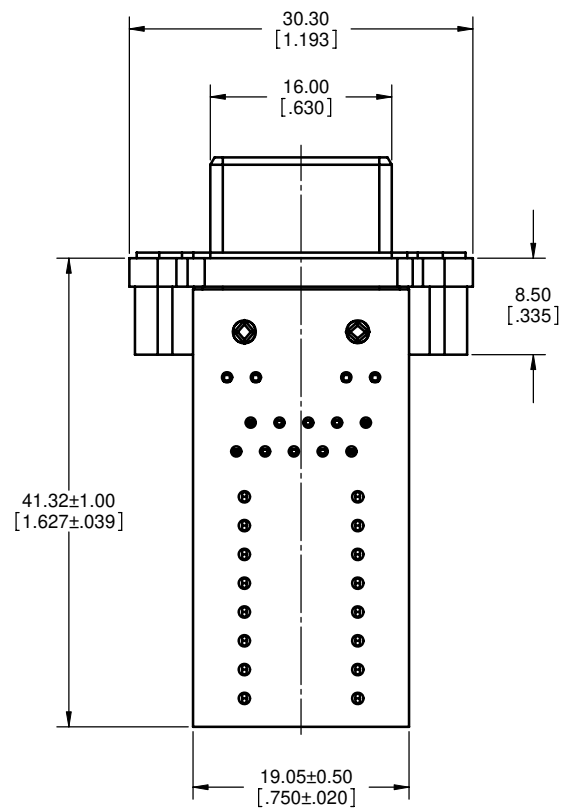
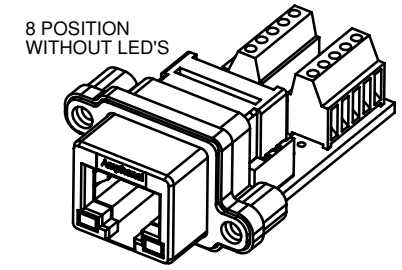
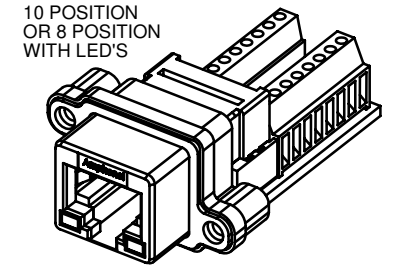
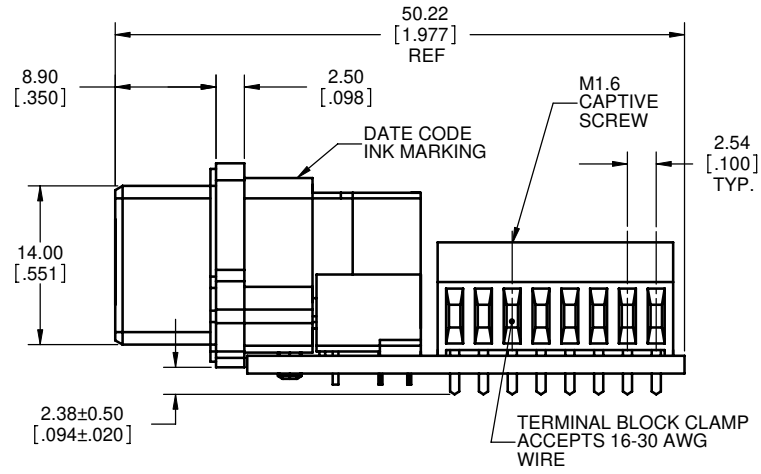
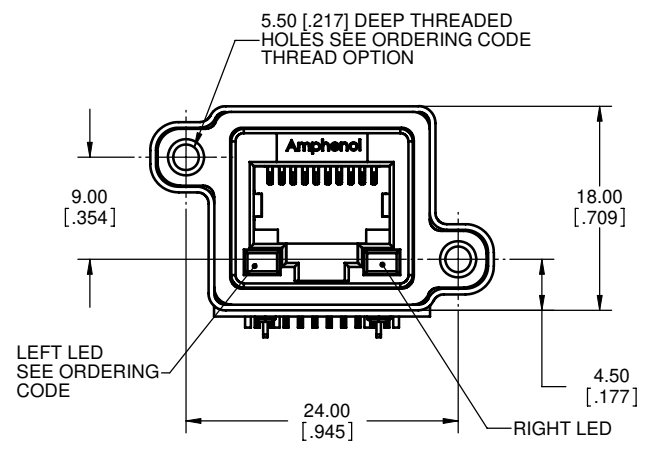
Tel: +86-755-8981 8866 Fax: +86-755-8427 6832

Email & Skype: info@chipsmall.com Web: www.chipsmall.com

Address: A1208, Overseas Decoration Building, #122 Zhenhua RD., Futian, Shenzhen, China



REVISIONS			
REV	EC N, ERN NO.	DATE	APPRD.
A	PRODUCT DWG (EAR 13226)	FEB21/08	K.L.



ORDERING CODE: **MRJ - 59XX - X1**

SERIES, RUGGED RJ RECEPTACLE, RIGHT ANGLE, ON PCB WITH TERMINAL BLOCKS

NUMBER OF CONTACTS  
8= 8 CONTACTS  
A=10 CONTACTS

LED OPTION  
0=NONE  
1=GREEN LEFT, YELLOW RIGHT  
4=YELLOW LEFT, GREEN RIGHT  
5=GREEN LEFT, GREEN RIGHT

MOUNTING HOLE THREAD OPTION  
0= #4-40 UNC THREAD  
M= M3 x 0.5 THREAD

SINGLE PORT

**NOTES:**

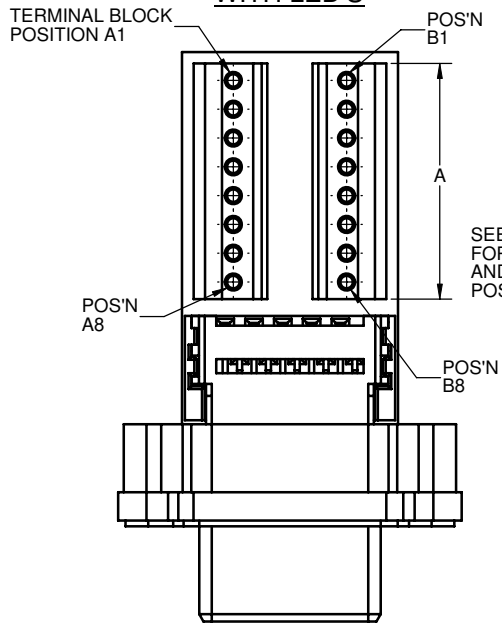
- MATERIAL:**  
ALL MATERIALS ARE RoHS COMPLIANT PER EU DIRECTIVE 2002/95/EC AND AMENDMENTS
  - SHELL - DIECAST ZINC, NICKEL PLATED
  - CONTACTS - PHOSPHOR BRONZE WITH 50 MICROINCHES (1.27 MICRONS) GOLD OVER 50 MICROINCHES (1.27 MICRONS) MINIMUM NICKEL ON THE MATING AREA AND MATTE TIN OVER NICKEL ON THE CONTACT TAILS.
  - INSERTS - ENGINEERING THERMOPLASTIC, UL FLAMMABILITY RATING 94V-0, REAR INSERTS: BLACK, FRONT INSERT: CLEAR
  - LED'S - EPOXY LENS, STEEL TAILS WITH TIN PLATING
  - GASKET - SILICONE RUBBER
  - PCB - FR-4 FIBERGLASS, LEAD FREE
  - TERMINAL BLOCKS - ENGINEERING THERMOPLASTIC HOUSING (UL94V-0, GREEN) WITH COPPER ALLOY, NICKEL PLATED CLAMPS & SCREWS AND COPPER ALLOY, TIN PLATED TERMINALS.
- ENVIRONMENTAL PERFORMANCE PER IEC 60529 CODE IP67 FOR SEAL BETWEEN MATING AREA AND PCB SIDE OF CONNECTOR. GASKET PROVIDES FOR SEAL TO INSIDE FACE OF PANEL.
- CURRENT RATING: 1.5 AMPERES.
- CONTACT RESISTANCE: 50 MILLIOHMS.
- OPERATING TEMPERATURE: -40C TO +105C.
- AVAILABLE MATING AREA COVERS PROVIDE ADDED PROTECTION. CONSULT WITH AMPHENOL CANADA FOR DETAILS.
- RECOMMENDED TORQUE FOR PANEL MOUNT SCREWS: 0.45 TO 0.65 Nm (4.00 - 5.75 IN-LBS) FOR STEEL SCREWS WITH 3.00 (.118) THREAD ENGAGEMENT.



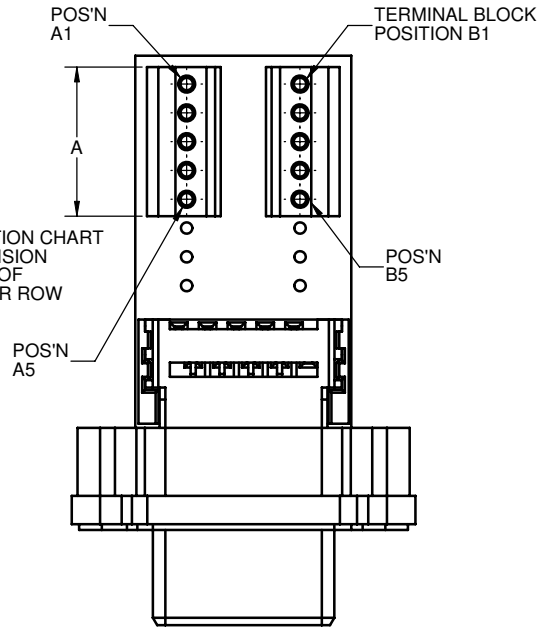
PROPRIETARY AND CONFIDENTIAL  
THIS DOCUMENT CONTAINS PROPRIETARY INFORMATION AND SUCH INFORMATION MAY NOT BE DISCLOSED TO OTHERS FOR ANY PURPOSES WITHOUT THE WRITTEN PERMISSION FROM AMPHENOL CANADA CORP.

UNLESS OTHERWISE SPECIFIED:		DATE	Amphenol Canada Corp.
DIMENSIONS ARE IN MILLIMETERS	DRAWN G.L.I.	FEB21/08	
FRAC TO SCALE	DESIGNED		MRJ SERIES RUGGED MODULAR JACK; 8 & 10 POSITION RIGHT ANGLE, ON PCB WITH TERMINAL BLOCKS, RoHS COMPLIANT
ANGULAR MATCH BEND ±	CHECKED		
TWO PLACE DECIMAL ±	I.E. APPRD.		SIZE DWG. NO. <b>C P-MRJ-59XX-X1</b>
RESISTANCE DECIMAL ±	Q. A. APPRD.		
APPROPRIATE DIMENSIONS ARE IN MILLIMETERS	DWG. APPRD. K.LAMBIE	FEB21/08	SCALE 3:1
MATERIAL	ENG. REL. NO. EAR 13226		
NECESSARY	USED ON	REV	WEIGHT
APPLICATION	DO NOT SCALE DRAWING	CODING NO.	
			SHEET 1 OF 2

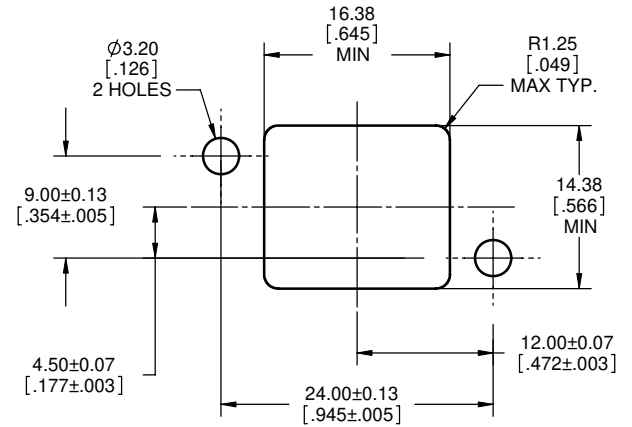
**VIEWS FOR 10 POSITION  
OR 8 POSITION  
WITH LED'S**



**VIEWS FOR 8 POSITION  
WITHOUT LED'S**



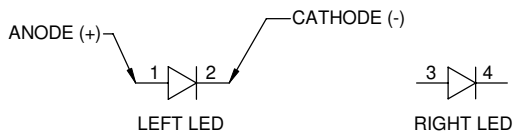
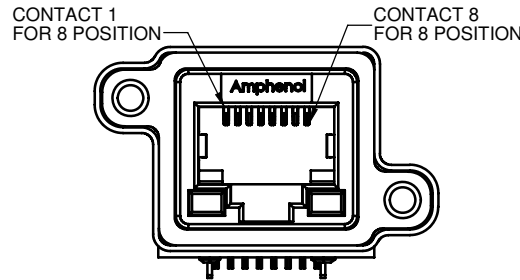
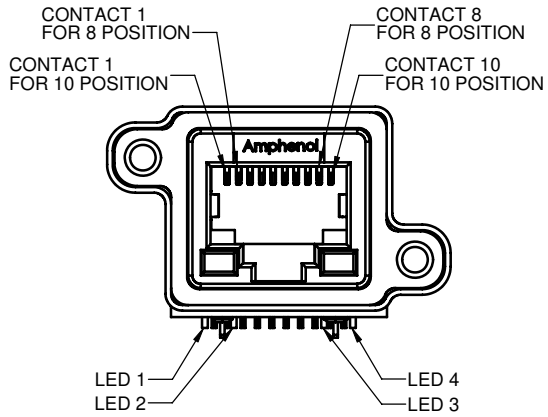
SEE CONNECTION CHART FOR "A" DIMENSION AND NUMBER OF POSITIONS PER ROW



**RECOMMENDED PANEL CUTOUT**

**MRJ TO TERMINAL BLOCK CONNECTION CHART**

MRJ CONNECTOR STYLE				CONNECTED TO TERMINAL BLOCK POSITION
8 POSITION NO LED'S	8 POSITION WITH LED'S	10 POSITION NO LED'S	10 POSITION WITH LED'S	
SHELL/GROUND	SHELL/GROUND	SHELL/GROUND	SHELL/GROUND	A1 & B1
CONTACT 4	CONTACT 4	CONTACT 5	CONTACT 5	A2
CONTACT 3	CONTACT 3	CONTACT 4	CONTACT 4	A3
CONTACT 2	CONTACT 2	CONTACT 3	CONTACT 3	A4
CONTACT 1	CONTACT 1	CONTACT 2	CONTACT 2	A5
---	---	CONTACT 1	CONTACT 1	A6
---	LED 1	---	LED 1	A7
---	LED 2	---	LED 2	A8
CONTACT 5	CONTACT 5	CONTACT 6	CONTACT 6	B2
CONTACT 6	CONTACT 6	CONTACT 7	CONTACT 7	B3
CONTACT 7	CONTACT 7	CONTACT 8	CONTACT 8	B4
CONTACT 8	CONTACT 8	CONTACT 9	CONTACT 9	B5
---	---	CONTACT 10	CONTACT 10	B6
---	LED 4	---	LED 4	B7
---	LED 3	---	LED 3	B8
5	8	8	8	POSITIONS / ROW
13.16 [.518]	20.78 [.818]	20.78 [.818]	20.78 [.818]	"A" DIMENSION



**LED POLARITY**



PROPRIETARY AND CONFIDENTIAL  
THIS DOCUMENT CONTAINS  
PROPRIETARY INFORMATION AND SUCH  
INFORMATION MAY NOT BE DISCLOSED  
TO OTHERS FOR ANY PURPOSE OR USED  
FOR MANUFACTURING PURPOSES  
WITHOUT WRITTEN PERMISSION FROM  
AMPHENOL CANADA CORP.

UNLESS OTHERWISE SPECIFIED:		DATE: FEB21/08	Amphenol Canada Corp.
DIMENSIONS ARE IN MILLIMETERS	DRAWN: G.LI	DATE: FEB21/08	
FRAC TO INCHES	DESIGNED		MRJ SERIES RUGGED MODULAR JACK, 8 & 10 POSITION RIGHT ANGLE, ON PCB WITH TERMINAL BLOCKS, ROHS COMPLIANT
ANGULAR MATCHES	CHECKED		
TWO PLACE DECIMAL	I.E. APP'D		SIZE DWG. NO. <b>C P-MRJ-59XX-X1</b>
APPROVED TO MFG:	Q. A. APP'D		REV <b>A</b>
FOR MANUFACTURING PER:	DWG. APP'D: K.LAMBIE	FEB21/08	SCALE 4:1
MATERIAL:	ENG. REL. NO. EAR 13226		WEIGHT
REVISIONS	REV		SHEET 2 OF 2
APPLICATION	DO NOT SCALE DRAWING	DIMENSIONS ARE IN MILLIMETERS	