



Chipsmall Limited consists of a professional team with an average of over 10 year of expertise in the distribution of electronic components. Based in Hongkong, we have already established firm and mutual-benefit business relationships with customers from,Europe,America and south Asia,supplying obsolete and hard-to-find components to meet their specific needs.

With the principle of “Quality Parts,Customers Priority,Honest Operation,and Considerate Service”,our business mainly focus on the distribution of electronic components. Line cards we deal with include Microchip,ALPS,ROHM,Xilinx,Pulse,ON,Everlight and Freescale. Main products comprise IC,Modules,Potentiometer,IC Socket,Relay,Connector.Our parts cover such applications as commercial,industrial, and automotives areas.

We are looking forward to setting up business relationship with you and hope to provide you with the best service and solution. Let us make a better world for our industry!



## Contact us

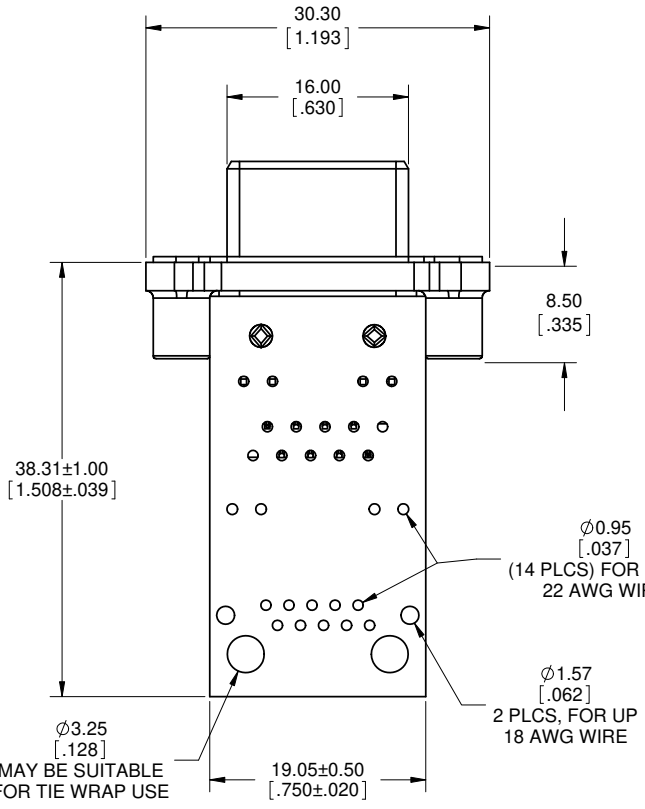
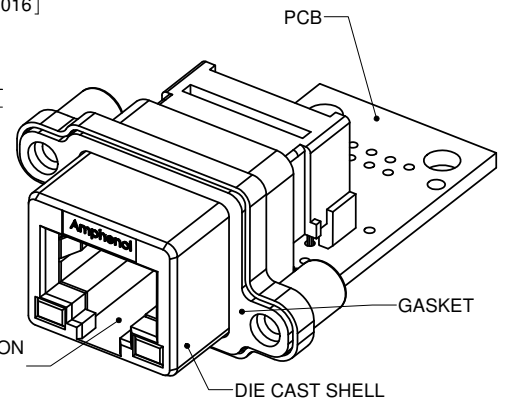
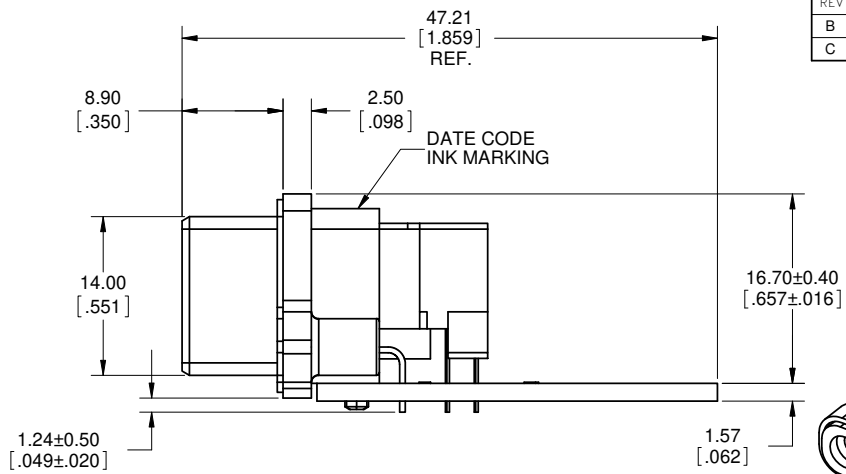
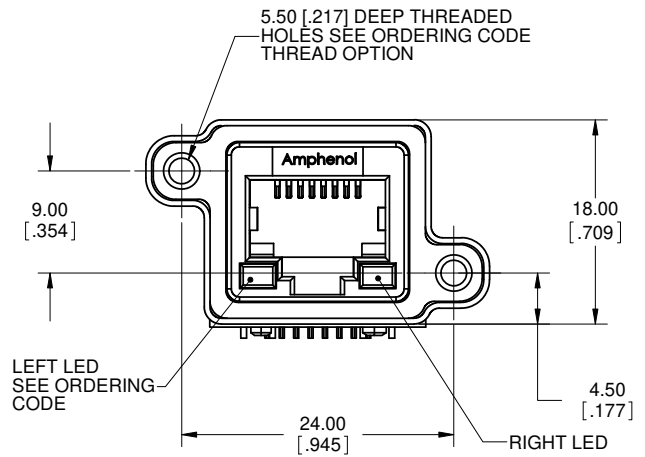
Tel: +86-755-8981 8866 Fax: +86-755-8427 6832

Email & Skype: info@chipsmall.com Web: www.chipsmall.com

Address: A1208, Overseas Decoration Building, #122 Zhenhua RD., Futian, Shenzhen, China



REVISIONS			
REV	DESCRIPTION, ECN, EAR NO.	DATE	APP'D
B	PROPOSAL DRAWING (EAR 13586)	AUG27/09	K.L.
C	PROPOSAL DRAWING (EAR 14296)	JUL24/14	K.L.



**ORDERING CODE: MRJ-5CXX-X1**

SERIES, RUGGED RJ  
 RECEPTACLE, RIGHT ANGLE, ON PCB WITH HOLES FOR WIRING  
 NUMBER OF CONTACTS  
 8= 8 CONTACTS  
 A=10 CONTACTS  
 LED OPTION  
 0=NONE  
 1=GREEN LEFT, YELLOW RIGHT  
 4=YELLOW LEFT, GREEN RIGHT  
 5=GREEN LEFT, GREEN RIGHT  
 MOUNTING HOLE THREAD  
 OPTION  
 0= #4-40 UNC THREAD  
 M= M3 x 0.5 THREAD  
 SINGLE PORT

**NOTES:**

- MATERIAL:**  
 ALL MATERIALS ARE RoHS COMPLIANT PER EU DIRECTIVE 2011/65/EU AND AMENDMENTS  
 • SHELL - DIECAST ZINC, NICKEL PLATED  
 • CONTACTS - PHOSPHOR BRONZE WITH 50 MICROINCHES (1.27 MICRONS) GOLD OVER 50 MICROINCHES (1.27 MICRONS) MINIMUM NICKEL ON THE MATING AREA AND MATTE TIN OVER NICKEL ON THE CONTACT TAILS.  
 • INSERTS - ENGINEERING THERMOPLASTIC, UL FLAMMABILITY RATING 94V-0, REAR INSERTS: BLACK NYLON, FRONT INSERT: CLEAR POLYCARBONATE  
 • LED'S - EPOXY LENS, STEEL TAILS WITH TIN PLATING  
 • GASKET - SILICONE RUBBER  
 • PCB - FR-4 FIBERGLASS, LEAD FREE
- ENVIRONMENTAL PERFORMANCE PER IEC 60529 CODE IP67 FOR SEAL BETWEEN MATING AREA AND PCB SIDE OF CONNECTOR. GASKET PROVIDES SEAL TO INSIDE FACE OF PANEL.
- CURRENT RATING: 1.5 AMPERES.
- CONTACT RESISTANCE: 50 MILLIOHMS.
- OPERATING TEMPERATURE: -40C TO +105C.
- AVAILABLE MATING AREA COVERS PROVIDE ADDED PROTECTION. CONSULT WITH AMPHENOL CANADA FOR DETAILS.
- CUSTOMER TO VERIFY THAT ALL PROCESS CLEANERS ARE COMPATIBLE WITH POLYCARBONATE MATERIAL.



UNLESS SPECIFIED OTHERWISE	DRAWN	A.CHAN	AUG27/09
PRIMARY UNITS MILLIMETERS	CHECKED		
SECONDARY UNITS INCHES	M.E. APP'D		
REFERENCE IN PARENTHESES	Q.A. APP'D		
GENERAL TOLERANCES	DWG APPR.	K.LAMBIE	AUG27/09
1 DECIMAL PLACE	ENG. REL. NO.		
2 DECIMAL PLACES ±0.15	REF.		
3 DECIMAL PLACES	THIRD ANGLE PROJECTION		
ANGULAR DEGREES	DO NOT SCALE DRAWING		

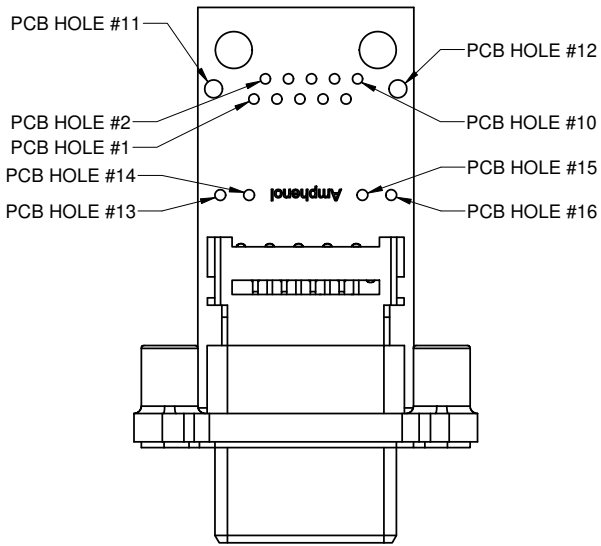
**Amphenol Canada Corp.**

MRJ SERIES RUGGED MODULAR JACK, 8 & 10 POSITION, RIGHT ANGLE, ON PCB WITH HOLES FOR WIRING, LED & THREAD OPTIONS, RoHS COMPLIANT

DWG. NO. **P-MRJ-5CXX-X1** REV **C**

CODE ID NO. 03554 DWG SIZE: X SCALE: 3:1 SHEET 1 OF 2

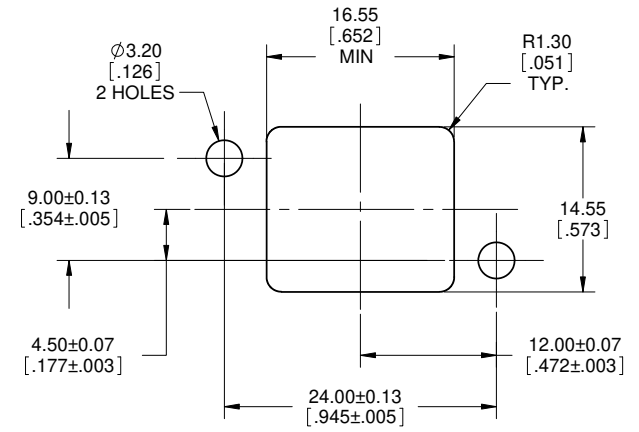
**VIEWS FOR 8 OR 10 POSITION**



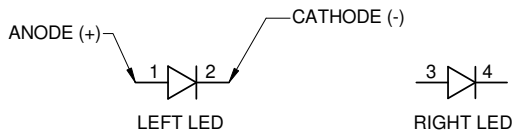
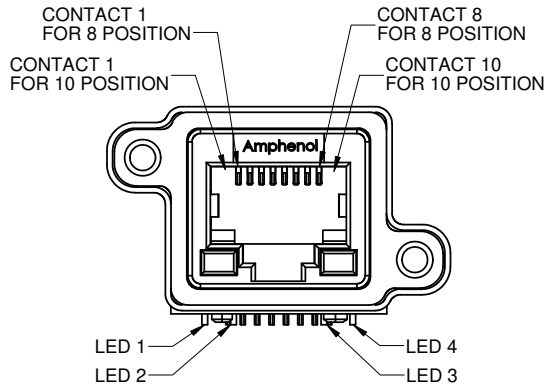
**MRJ TO PCB CONNECTION CHART**

MRJ CONNECTOR STYLE		CONNECTED TO PCB HOLE
8 POSITION	10 POSITION	
SHELL/GROUND	SHELL/GROUND	11 & 12
---	CONTACT 1	1
CONTACT 1	CONTACT 2	2
CONTACT 2	CONTACT 3	3
CONTACT 3	CONTACT 4	4
CONTACT 4	CONTACT 5	5
CONTACT 5	CONTACT 6	6
CONTACT 6	CONTACT 7	7
CONTACT 7	CONTACT 8	8
CONTACT 8	CONTACT 9	9
---	CONTACT 10	10
LED 1	LED 1	13
LED 2	LED 2	14
LED 3	LED 3	15
LED 4	LED 4	16

REVISIONS			
REV	DESCRIPTION, ECN, EAR NO.	DATE	APP'D
B	PROPOSAL DRAWING (EAR 13586)	AUG27/09	K.L.
C	PROPOSAL DRAWING (EAR 14296)	JUL24/14	K.L.



**RECOMMENDED PANEL CUTOUT**



**LED POLARITY**



UNLESS SPECIFIED OTHERWISE	DRAWN	A.CHAN	AUG27/09
PRIMARY UNITS MILLIMETERS	CHECKED		
SECONDARY INCHES	M.E. APP'D		
REFERENCE IN PARENTHESES	Q.A. APP'D		
GENERAL TOLERANCES	DWG APPR.	K.LAMBIE	AUG27/09
1 DECIMAL PLACE	ENG. REL. NO.		
2 DECIMAL PLACES ±0.15	REF.		
3 DECIMAL PLACES	THIRD ANGLE PROJECTION		
ANGULAR DEGREES	DO NOT SCALE DRAWING		

**Amphenol Canada Corp.**

MRJ SERIES RUGGED MODULAR JACK, 8 & 10 POSITION, RIGHT ANGLE, ON PCB WITH HOLES FOR WIRING, LED & THREAD OPTIONS, RoHS COMPLIANT

DWG. NO.	REV
P-MRJ-5CXX-X1	C
CODE ID NO. 03554	DWG SIZE: X
SCALE: 1:0.3	SHEET 2 OF 2