



Chipsmall Limited consists of a professional team with an average of over 10 year of expertise in the distribution of electronic components. Based in Hongkong, we have already established firm and mutual-benefit business relationships with customers from,Europe,America and south Asia,supplying obsolete and hard-to-find components to meet their specific needs.

With the principle of "Quality Parts,Customers Priority,Honest Operation,and Considerate Service",our business mainly focus on the distribution of electronic components. Line cards we deal with include Microchip,ALPS,ROHM,Xilinx,Pulse,ON,Everlight and Freescale. Main products comprise IC,Modules,Potentiometer,IC Socket,Relay,Connector.Our parts cover such applications as commercial,industrial, and automotives areas.

We are looking forward to setting up business relationship with you and hope to provide you with the best service and solution. Let us make a better world for our industry!



Contact us

Tel: +86-755-8981 8866 Fax: +86-755-8427 6832

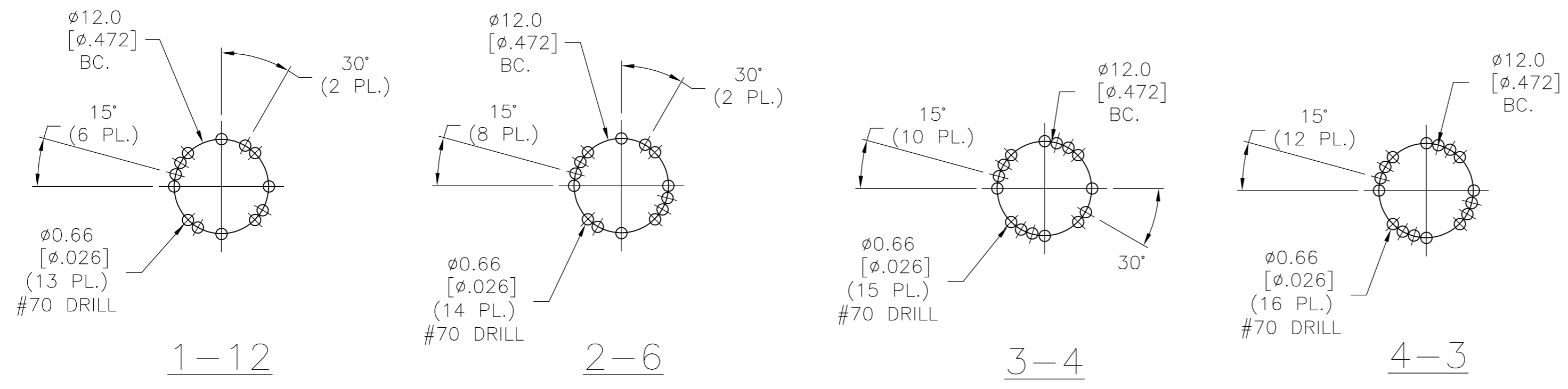
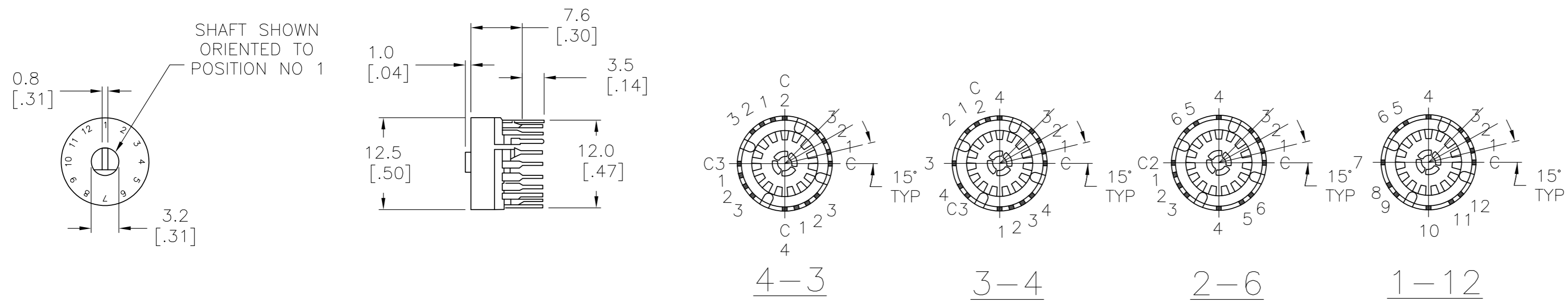
Email & Skype: info@chipsmall.com Web: www.chipsmall.com

Address: A1208, Overseas Decoration Building, #122 Zhenhua RD., Futian, Shenzhen, China



THIS DRAWING IS UNPUBLISHED. RELEASED FOR PUBLICATION
 © COPYRIGHT - By - ALL RIGHTS RESERVED.

LOC		DIST		REVISIONS			
P	LTR	DESCRIPTION		DATE	DWN	APVD	
AD	0	A2	REVISED PER ECO-11-004917		11MAR11	RK	HMR



- NOTES:
1. TERMINAL NUMBERS ARE FOR REFERENCE ONLY AND DO NOT APPEAR ON SWITCHES.
 2. ALL MATERIALS AND FINISHES SHALL COMPLY WITH EU DIRECTIVE 2002/95/EC OF 27JAN2003 (ROHS).

SPECIFICATIONS	
RATING	.4VA MAX. @ 20VDC, OR PEAK AC
TIMING	BREAK BEFORE MAKE
INITIAL CONTACT RESISTANCE	30 MILLIOHMS MAX
INSULATION RESISTANCE	10,000 MEGOHMS MIN
DIELECTRIC WITHSTANDING VOLTAGE	1,000 VRMS AT SEA LEVEL
DURABILITY	10,000 CYCLES @ .4VA RESISTIVE
	30,000 CYCLES @ .1µA 12VDC RESISTIVE
OPERATING FORCE	14 INCH OUNCES
OPERATING TEMPERATURE	-20°C TO +70°C
STORAGE TEMPERATURE	-20°C TO +70°C

MATERIALS		
COMPONENT NAME	BASE MATERIAL	FINISH
BASE	EPOXY	
FIXED CONTACT	BRASS	GOLD OVER NICKEL
MOVEABLE CONTACT	COPPER ALLOY	GOLD OVER NICKEL
TERMINALS	BRASS	TIN OVER NICKEL

POSITIONS	POLES	ALCO P/N	P/N
3 FIXED.	4	MRJB304	1825536-4
4 FIXED.	3	MRJB404	1825536-3
6 FIXED.	2	MRJB604	1825536-2
12 CONTINUOUS ROTATION.	1	MRJB1204	1825536-1

THIS DRAWING IS A CONTROLLED DOCUMENT.		DWN	100CT79	 TE Connectivity
DIMENSIONS: mm [INCHES]		CHK	100CT79	
TOLERANCES UNLESS OTHERWISE SPECIFIED:		APVD	-	
0 PLC ± - 1 PLC ± - 2 PLC ± - 3 PLC ± - 4 PLC ± - ANGLES ± -		PRODUCT SPEC	-	
MATERIAL	FINISH	WEIGHT	-	NAME
SEE SPECIFICATIONS	SEE SPECIFICATIONS	CUSTOMER DRAWING	-	ROTARY SWITCH 12 POSITION-30DEG DETENT.
		SCALE	2:1	SIZE
		SHEET	1 OF 1	CAGE CODE
		REV	A2	DRAWING NO
				RESTRICTED TO