



Chipsmall Limited consists of a professional team with an average of over 10 year of expertise in the distribution of electronic components. Based in Hongkong, we have already established firm and mutual-benefit business relationships with customers from,Europe,America and south Asia,supplying obsolete and hard-to-find components to meet their specific needs.

With the principle of “Quality Parts,Customers Priority,Honest Operation,and Considerate Service”,our business mainly focus on the distribution of electronic components. Line cards we deal with include Microchip,ALPS,ROHM,Xilinx,Pulse,ON,Everlight and Freescale. Main products comprise IC,Modules,Potentiometer,IC Socket,Relay,Connector.Our parts cover such applications as commercial,industrial, and automotives areas.

We are looking forward to setting up business relationship with you and hope to provide you with the best service and solution. Let us make a better world for our industry!



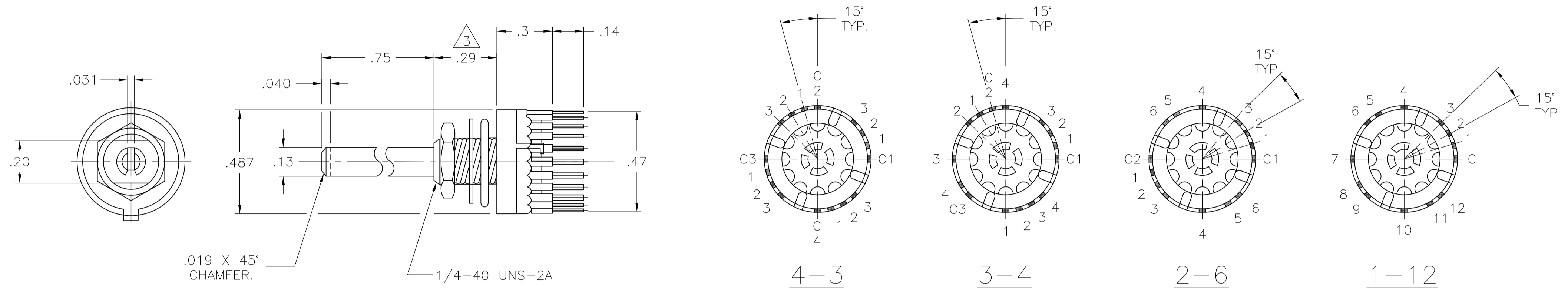
Contact us

Tel: +86-755-8981 8866 Fax: +86-755-8427 6832

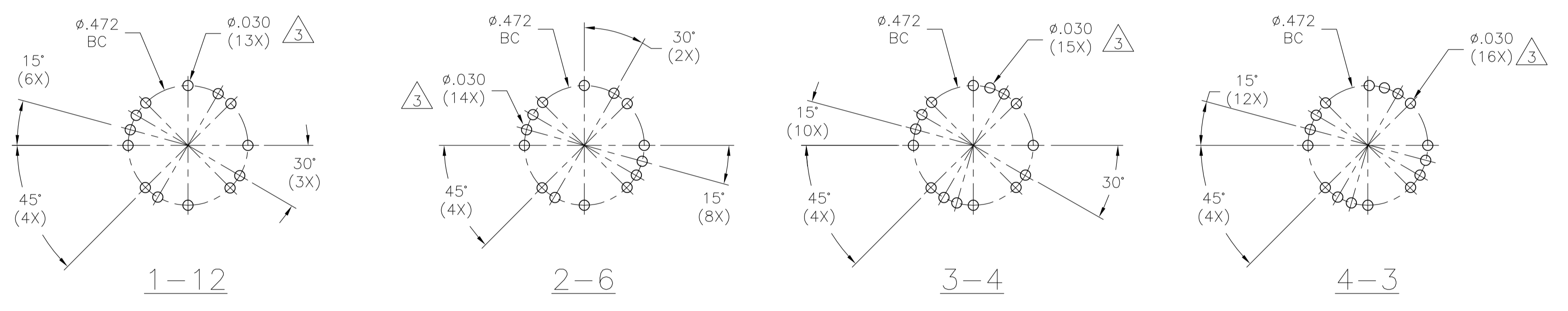
Email & Skype: info@chipsmall.com Web: www.chipsmall.com

Address: A1208, Overseas Decoration Building, #122 Zhenhua RD., Futian, Shenzhen, China





SPECIFICATIONS	
RATING	.4VA MAX. @ 20VDC, OR PEAK AC
TIMING	BREAK BEFORE MAKE
INITIAL CONTACT RESISTANCE	30 MILLIOHMS MAX
INSULATION RESISTANCE	10,000 MEGOHMS MIN
DIELECTRIC WITHSTANDING VOLTAGE	1,000 VRMS AT SEA LEVEL
DURABILITY	10,000 CYCLES @ .4VA RESISTIVE
	30,000 CYCLES @ .1μA 12VDC RESISTIVE
OPERATING FORCE	14 INCH OUNCES
OPERATING TEMPERATURE	-20°C TO +70°C
STORAGE TEMPERATURE	-20°C TO +70°C



RECOMMENDED PCB HOLE LAYOUTS (VIEWED FROM SHAFT END)
TOLERANCE ±.002. UNLESS OTHERWISE NOTED.

- 1 TERMINAL NUMBERS ARE FOR REFERENCE ONLY AND DO NOT APPEAR ON SWITCHES.
- 2 ALL MATERIALS AND FINISHES SHALL COMPLY WITH EU DIRECTIVE 2002/95/EC OF 27JAN2003 (ROHS).
- 3 EACH SWITCH SUPPLIED WITH THE FOLLOWING MOUNTING HARDWARE:
(1) HEX NUTS.
(1) O-RING
(1) INTERNAL TOOTH LOCKWASHER.

MATERIALS		
COMPONENT NAME	BASE MATERIAL	FINISH
BASE	EPOXY	-
FIXED CONTACT	BRASS	GOLD OVER NICKEL
TERMINALS	BRASS	PRE-TIN OVER NICKEL
MOVEABLE CONTACT	PHOSPHOR BRONZE	GOLD OVER NICKEL
ROTOR	PBT	-
BALL	STEEL	-
SPRING	PIANO WIRE	
STOPPER	STEEL	ZINC
BUSHING	ZINC	NICKEL
SHAFT	BRASS	NICKEL
O-RING	NEOPRENE	-
HEX NUT	BRASS	NICKEL
INTERNAL TOOTH LOCKWASHER	STEEL	ZINC

MOVABLE CONTACT FINISH	FIXED CONTACT FINISH	TERMINAL FINISH	POSITION	POLES	ALCD P/N	PART NUMBER
.00010μ" MIN Au OVER .000120μ"MIN Ni	.00004μ" MIN Au OVER .000070μ"MIN Ni	PRE-TIN OVER NICKEL	3 FIXED	4	MRJE4304	1825537-4
.00010μ" MIN Au OVER .000120μ"MIN Ni	.00004μ" MIN Au OVER .000070μ"MIN Ni	PRE-TIN OVER NICKEL	4 FIXED	3	MRJE3404	1825537-3
.00010μ" MIN Au OVER .000120μ"MIN Ni	.00004μ" MIN Au OVER .000070μ"MIN Ni	PRE-TIN OVER NICKEL	6 FIXED	2	MRJE2604	1825537-2
.00010μ" MIN Au OVER .000120μ"MIN Ni	.00004μ" MIN Au OVER .000070μ"MIN Ni	PRE-TIN OVER NICKEL	12 CONTINUOUS ROTATION	1	MRJE11204	1825537-1

THIS DRAWING IS A CONTROLLED DOCUMENT.

DIMENSIONS: INCHES	TOLERANCES UNLESS OTHERWISE SPECIFIED:	DIN A-J CLAY 19JUL79	APVD	NAME
0 PLC ± -	1 PLC ± .01			MINIATURE ROTARY SWITCH
2 PLC ± .01	3 PLC ± .005			12 POS.-30 DEGREE DETENT
4 PLC ± .0005	ANGLES ± 1°			
MATERIAL SEE SPECIFICATIONS	FINISH SEE SPECIFICATIONS	WEIGHT	SIZE	CAGE CODE
			A1	00779
			SCALE	3:1
			SHEET	1 OF 1
			REV	A3

STC TE Connectivity

CUSTOMER DRAWING