



Chipsmall Limited consists of a professional team with an average of over 10 year of expertise in the distribution of electronic components. Based in Hongkong, we have already established firm and mutual-benefit business relationships with customers from,Europe,America and south Asia,supplying obsolete and hard-to-find components to meet their specific needs.

With the principle of “Quality Parts,Customers Priority,Honest Operation,and Considerate Service”,our business mainly focus on the distribution of electronic components. Line cards we deal with include Microchip,ALPS,ROHM,Xilinx,Pulse,ON,Everlight and Freescale. Main products comprise IC,Modules,Potentiometer,IC Socket,Relay,Connector.Our parts cover such applications as commercial,industrial, and automotives areas.

We are looking forward to setting up business relationship with you and hope to provide you with the best service and solution. Let us make a better world for our industry!



Contact us

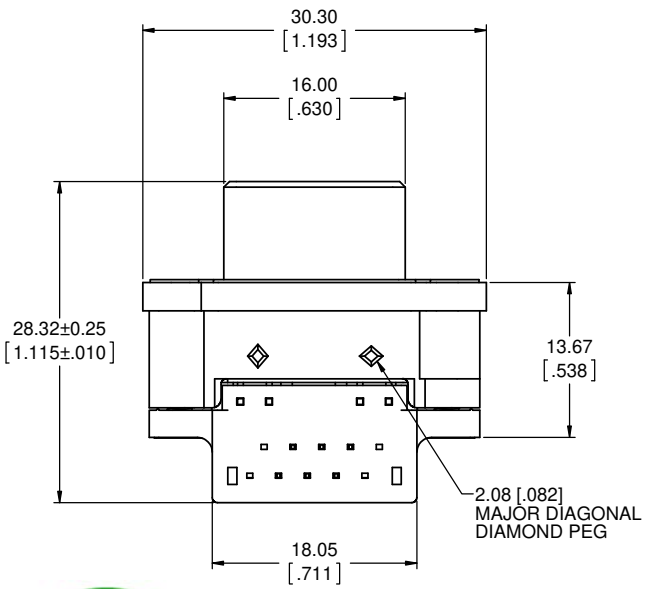
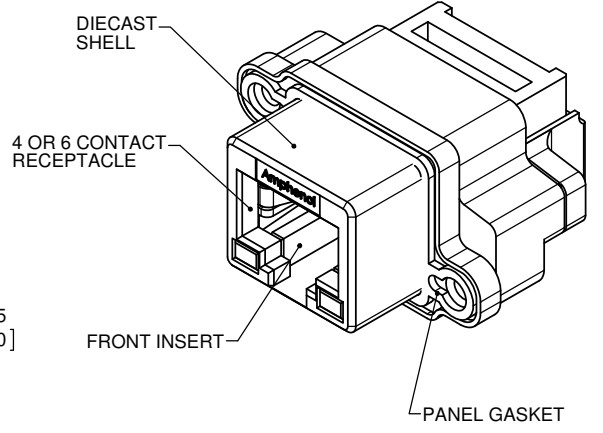
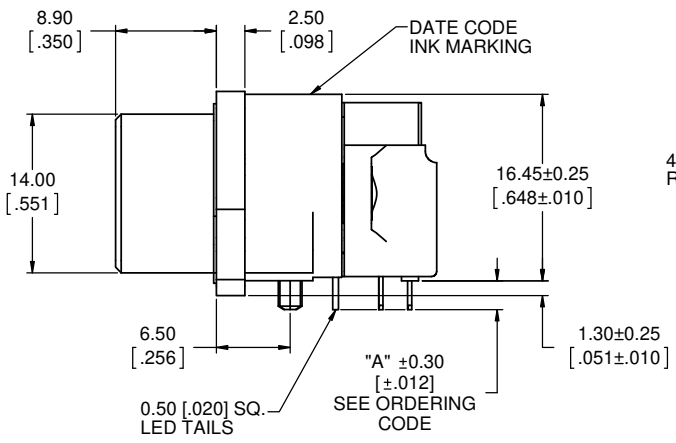
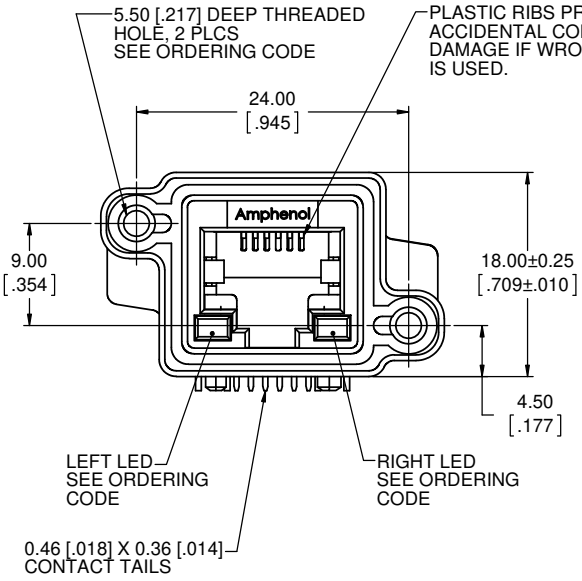
Tel: +86-755-8981 8866 Fax: +86-755-8427 6832

Email & Skype: info@chipsmall.com Web: www.chipsmall.com

Address: A1208, Overseas Decoration Building, #122 Zhenhua RD., Futian, Shenzhen, China



| REVISIONS | | | |
|-----------|------------------------------|----------|-------|
| REV | DESCRIPTION, ECN, EAR NO. | DATE | APP'D |
| B | PROPOSAL DRAWING (EAR 14084) | MAY29/12 | K.L. |
| C | PRODUCT DRAWING (EAR 14091) | JUL24/12 | K.L. |



ORDERING CODE: MRJR-33XX-X1

- SERIES RUGGED RJ
- RJ 11 RECEPTACLE, RIGHT ANGLE, PCB TAIL
- NUMBER OF CONTACTS
4 = 4 CONTACTS
6 = 6 CONTACTS
- LED OPTION
0 = NONE
1 = LEFT GREEN, RIGHT YELLOW
4 = LEFT YELLOW, RIGHT GREEN
5 = LEFT GREEN, RIGHT GREEN
- TAIL LENGTH & MOUNTING HOLE THREAD OPTION
0 = "A" 2.54 [.100], #4-40 UNC
B = "A" 3.81 [.150], #4-40 UNC
M = "A" 2.54 [.100], M3 X 0.5
P = "A" 3.81 [.150], M3 X 0.5
- SINGLE PORT

SPECIAL CONNECTORS
MANY UNIQUE FEATURES ARE READILY AVAILABLE TO SUIT CUSTOMER REQUIREMENTS. CONSULT WITH AMPHENOL CANADA FOR DETAILS.

NOTES:

1. MATERIAL: ALL MATERIALS ARE RoHS COMPLIANT PER EU DIRECTIVE 2002/95/EC AND AMENDMENTS
 - SHELL - DIECAST ZINC, NICKEL PLATED
 - CONTACTS - PHOSPHOR BRONZE WITH 1.27µm [50 µ"] MIN GOLD OVER 1.27µm [50 µ"] MIN NICKEL ON THE MATING AREA AND MATTE TIN OVER NICKEL ON THE CONTACT TAILS.
 - INSERTS - ENGINEERING THERMOPLASTIC, UL94V-0, REAR INSERTS: BLACK NYLON, FRONT INSERT: CLEAR POLYCARBONATE
 - GASKET - SILICONE RUBBER, CONDUCTIVE, BLACK
 - LED'S - EPOXY LENS, STEEL TAILS WITH TIN PLATING
2. ENVIRONMENTAL PERFORMANCE PER IEC 60529 CODE IP67 FOR SEAL BETWEEN MATING AREA AND PCB SIDE OF CONNECTOR GASKET PROVIDES FOR SEAL TO INSIDE FACE OF PANEL.
3. CURRENT RATING: 1.5 AMPERES
4. CONTACT RESISTANCE: 30 MILLIOHMS MAXIMUM
5. OPERATING TEMPERATURE: -40C TO +105C
6. LED CHARACTERISTICS: FORWARD DC CURRENT 25 mA MAX., FORWARD VOLTAGE 2.5V MAX. @ 2 mA.
7. RECOMMENDED TORQUE FOR PANEL MOUNT SCREWS: 0.45 TO 0.65 N-m (4.0 TO 5.75 IN-LBS) FOR STEEL SCREWS WITH 3.00 (.118) THREAD ENGAGEMENT.
8. CUSTOMER TO VERIFY THAT ALL PROCESS CLEANERS ARE COMPATIBLE WITH POLYCARBONATE MATERIAL.
9. AVAILABLE MATING AREA COVERS PROVIDE ADDED PROTECTON. CONSULT WITH AMPHENOL CANADA FOR DETAILS.



THIS DOCUMENT CONTAINS PROPRIETARY INFORMATION AND SUCH INFORMATION MAY NOT BE DISCLOSED TO OTHERS FOR ANY PURPOSE OR USED FOR MANUFACTURING PURPOSES WITHOUT WRITTEN PERMISSION FROM AMPHENOL CANADA CORP.

| | | | |
|----------------------------|------------------------|-----------|----------|
| UNLESS SPECIFIED OTHERWISE | DRAWN | B.COPPING | MAY29/12 |
| PRIMARY UNITS MILLIMETERS | CHECKED | | |
| SECONDARY INCHES | M.E. APP'D | | |
| REFERENCE IN PARENTHESES | Q.A. APP'D | | |
| GENERAL TOLERANCES | DWG APPR. | K.LAMBIE | MAY29/12 |
| 1 DECIMAL PLACE | ENG. REL. NO. | EAR 14084 | |
| 2 DECIMAL PLACES ±0.15 | REF. | | |
| 3 DECIMAL PLACES | THIRD ANGLE PROJECTION | | |
| ANGULAR DEGREES | DO NOT SCALE DRAWING | | |

Amphenol Canada Corp.
www.amphenolcanada.com

MRJR SERIES MODULAR JACK, 6 POSITION, 4 OR 6 CONTACTS, RIGHT ANGLE PCB TAIL, LED, THREAD & TAIL LENGTH OPTIONS, RoHS COMPLIANT

DWG. NO. **P-MRJR-33XX-X1** REV **C**

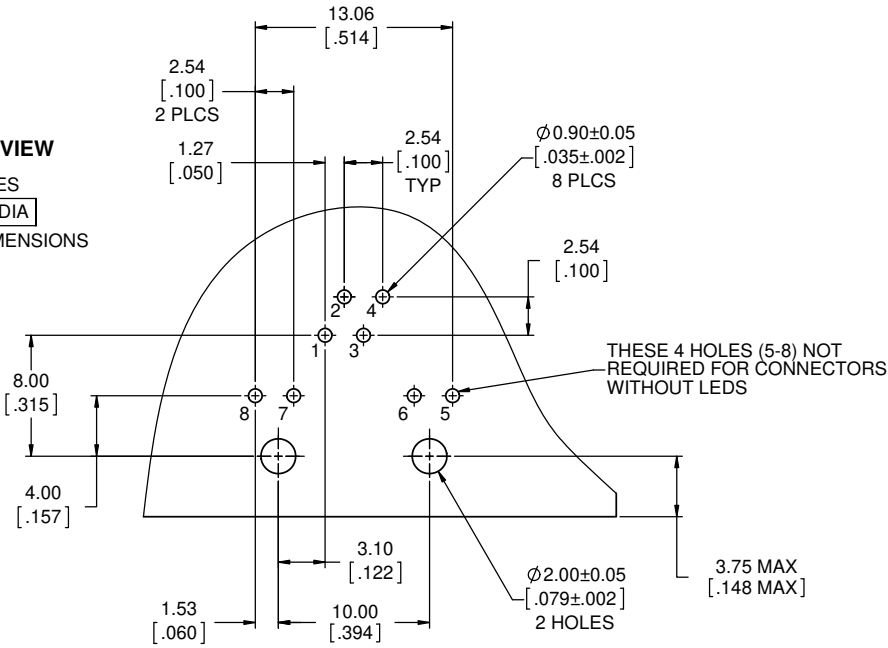
CODE ID NO. 03554 DWG SIZE: X SCALE: 3:1 SHEET 1 OF 2

RECOMMENDED PCB LAYOUT
COMPONENT SIDE OF BOARD

| REVISIONS | | | |
|-----------|------------------------------|----------|-------|
| REV | DESCRIPTION, ECN, EAR NO. | DATE | APP'D |
| B | PROPOSAL DRAWING (EAR 14084) | MAY29/12 | K.L. |
| C | PRODUCT DRAWING (EAR 14091) | JUL24/12 | K.L. |

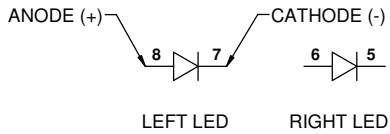
4 POSITION VIEW

LOCATE HOLES
 $\varnothing 0.13[.005]$ DIA
 POSITION DIMENSIONS
 ARE BASIC



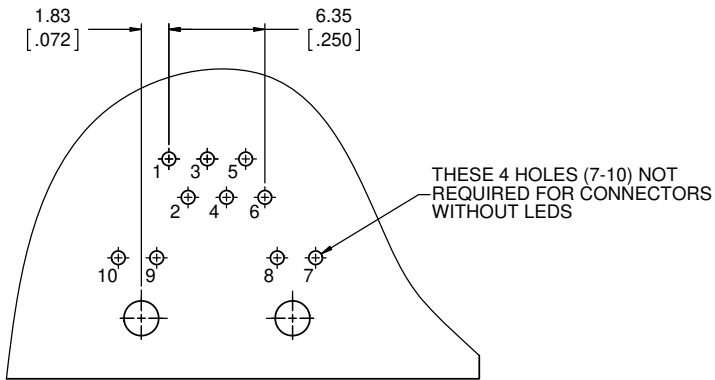
THESE 4 HOLES (5-8) NOT
REQUIRED FOR CONNECTORS
WITHOUT LEADS

**4 POSITION
LED SCHEMATIC**
GREEN OR YELLOW



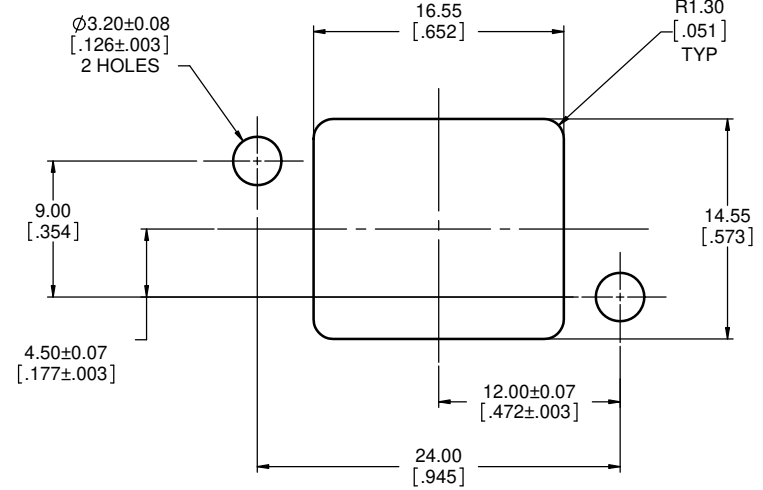
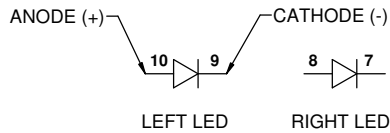
6 POSITION VIEW

LOCATE HOLES
 $\varnothing 0.13[.005]$ DIA
 POSITION DIMENSIONS
 ARE BASIC



THESE 4 HOLES (7-10) NOT
REQUIRED FOR CONNECTORS
WITHOUT LEADS

**6 POSITION
LED SCHEMATIC**
GREEN OR YELLOW



RECOMMENDED PANEL CUTOUT
OUTSIDE PANEL VIEW



| | | | |
|----------------------------|------------------------|-----------|----------|
| UNLESS SPECIFIED OTHERWISE | DRAWN | B.COPPING | MAY29/12 |
| PRIMARY UNITS MILLIMETERS | CHECKED | | |
| SECONDARY UNITS INCHES | M.E. APP'D | | |
| REFERENCE IN PARENTHESES | Q.A. APP'D | | |
| GENERAL TOLERANCES | DWG APPR. | K.LAMBIE | MAY29/12 |
| 1 DECIMAL PLACE | ENG. REL. NO. | EAR 14084 | |
| 2 DECIMAL PLACES ±0.15 | REF. | | |
| 3 DECIMAL PLACES | THIRD ANGLE PROJECTION | | |
| ANGULAR DEGREES | DO NOT SCALE DRAWING | | |

Amphenol Canada Corp.
www.amphenolcanada.com

MRJR SERIES MODULAR JACK,
6 POSITION, 4 OR 6 CONTACTS, RIGHT
ANGLE PCB TAIL, LED, THREAD & TAIL
LENGTH OPTIONS, RoHS COMPLIANT

| | |
|-------------------|--------------|
| DWG. NO. | REV |
| P-MRJR-33XX-X1 | C |
| CODE ID NO. 03554 | DWG SIZE: X |
| SCALE: 5:1 | SHEET 2 OF 2 |