



Chipsmall Limited consists of a professional team with an average of over 10 year of expertise in the distribution of electronic components. Based in Hongkong, we have already established firm and mutual-benefit business relationships with customers from,Europe,America and south Asia,supplying obsolete and hard-to-find components to meet their specific needs.

With the principle of “Quality Parts,Customers Priority,Honest Operation,and Considerate Service”,our business mainly focus on the distribution of electronic components. Line cards we deal with include Microchip,ALPS,ROHM,Xilinx,Pulse,ON,Everlight and Freescale. Main products comprise IC,Modules,Potentiometer,IC Socket,Relay,Connector.Our parts cover such applications as commercial,industrial, and automotives areas.

We are looking forward to setting up business relationship with you and hope to provide you with the best service and solution. Let us make a better world for our industry!



Contact us

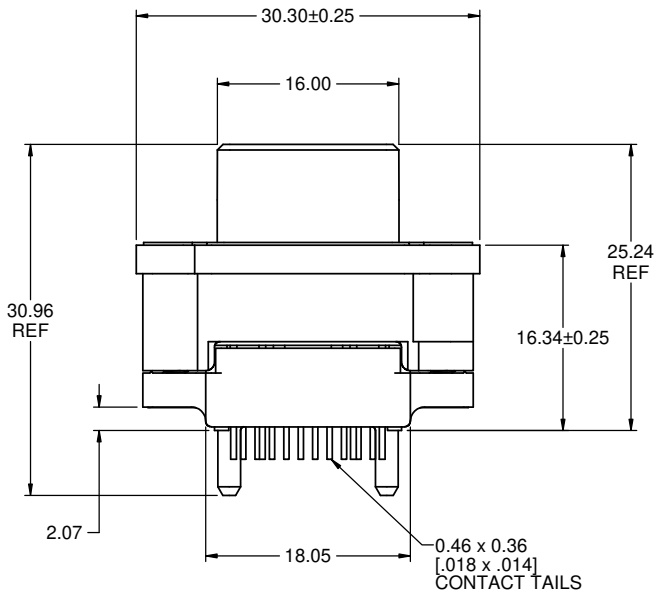
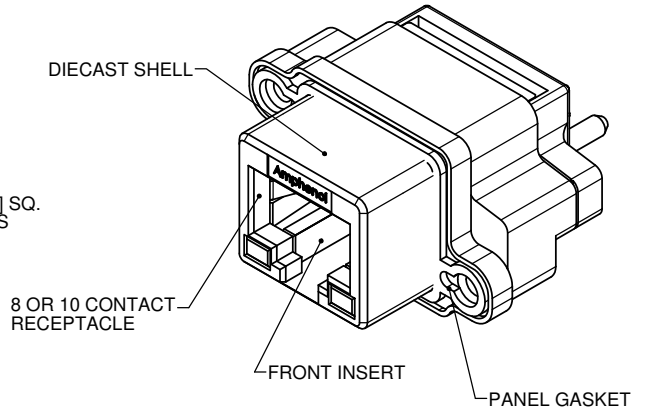
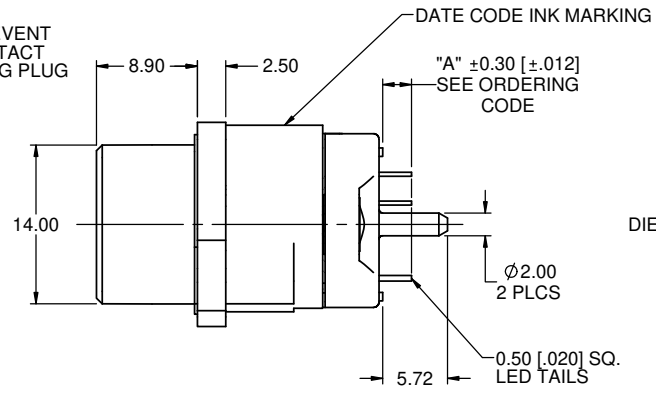
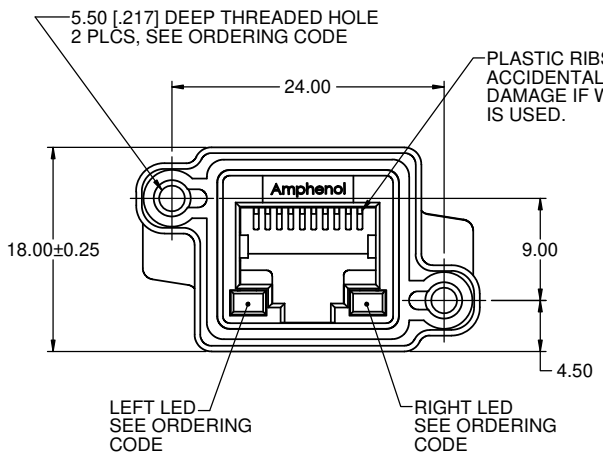
Tel: +86-755-8981 8866 Fax: +86-755-8427 6832

Email & Skype: info@chipsmall.com Web: www.chipsmall.com

Address: A1208, Overseas Decoration Building, #122 Zhenhua RD., Futian, Shenzhen, China



REVISIONS			
REV	DESCRIPTION, ECN, EAR NO.	DATE	APP'D
B	PRODUCT DRAWING (ECN E12460)	DEC12/12	K.L.
C	PRODUCT DRAWING (EAR 14349)	FEB24/15	K.L.
D	PRODUCT DRAWING (EAR 14349)	SEPT10/15	K.L.



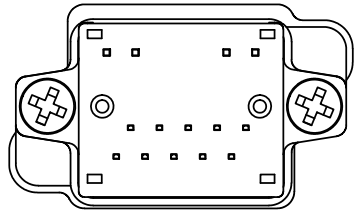
ORDERING CODE: MRJR - 54 X X - X F

- SERIES RUGGED RJ
- RJ 45 RECEPTACLE, VERTICAL PCB TAIL
- NUMBER OF CONTACTS
8= 8 CONTACTS
A= 10 CONTACTS
- LED OPTION
0 = NONE
1 = LEFT GREEN, RIGHT YELLOW
4 = LEFT YELLOW, RIGHT GREEN
5 = LEFT GREEN, RIGHT GREEN
A = BI-COLOUR GREEN/YELLOW LEFT
BI-COLOUR GREEN/YELLOW RIGHT
D = GREEN LEFT
BI-COLOUR GREEN/YELLOW RIGHT
- TAIL LENGTH & MOUNTING HOLE
THREAD OPTION
0 = "A" 2.54 [.100], #4-40 UNC
B = "A" 3.81 [.150], #4-40 UNC
M = "A" 2.54 [.100], M3 x 0.5
P = "A" 3.81 [.150], M3 x 0.5
- SINGLE PORT WITH THREADED MOUNTING HOLES

NOTES:

1. MATERIAL:
ALL MATERIALS ARE RoHS COMPLIANT PER EU DIRECTIVE 2002/95/EC AND AMENDMENTS
 - SHELL - DIECAST ZINC, NICKEL PLATED
 - CONTACTS - PHOSPHOR BRONZE WITH 1.27µm [50µ"] MIN. GOLD OVER 1.27µm [50µ"] MIN. NICKEL ON THE MATING AREA AND MATTE TIN OVER NICKEL ON THE CONTACT TAILS.
 - INSERTS - ENGINEERING THERMOPLASTIC, UL94V-0 REAR INSERTS: BLACK NYLON, FRONT INSERT: CLEAR POLYCARBONATE.
 - GASKET: SILICONE RUBBER, CONDUCTIVE, BLACK.
 - LED'S - EPOXY LENS, STEEL TAILS WITH TIN PLATING.
2. ENVIRONMENTAL PERFORMANCE PER IEC 60529 CODE IP67 FOR SEAL BETWEEN MATING AREA AND PCB SIDE OF CONNECTOR GASKET PROVIDES SEAL TO INSIDE FACE OF PANEL.
3. CURRENT RATING: 1.5 AMPERES.
4. CONTACT RESISTANCE: 30 MILLIOHMS MAXIMUM.
5. OPERATING TEMPERATURE: -40 °C TO +150 °C.
6. LED CHARACTERISTICS: FORWARD DC CURRENT 25 mA MAX., FORWARD VOLTAGE 2.5V MAX. @ 2 mA.
7. RECOMMENDED TORQUE FOR PANEL MOUNT SCREWS: 0.45 TO 0.65 N-m (4.0 TO 5.75 IN-LBS) FOR STEEL SCREWS WITH 3.00 (.118) THREAD ENGAGEMENT.
8. CUSTOMER TO VERIFY THAT ALL PROCESS CLEANERS ARE COMPATIBLE WITH POLYCARBONATE MATERIAL.
9. AVAILABLE MATING AREA COVERS PROVIDE ADDED PROTECTION. CONSULT WITH AMPHENOL CANADA FOR DETAILS.

SPECIAL CONNECTORS
MANY UNIQUE FEATURES ARE READILY AVAILABLE TO SUIT CUSTOMER REQUIREMENTS. CONSULT WITH AMPHENOL CANADA FOR DETAILS.



UNLESS SPECIFIED OTHERWISE	DRAWN	A.ESPIE	JUN11/12
PRIMARY UNITS MILLIMETERS	CHECKED		
SECONDARY INCHES	M.E. APP'D		
REFERENCE IN PARENTHESES	Q.A. APP'D		
GENERAL TOLERANCES	DWG APPR.	K.LAMBIE	JUL24/12
1 DECIMAL PLACE	ENG. REL. NO.	EAR 14091	
2 DECIMAL PLACES ±0.15	REF.		
3 DECIMAL PLACES	THIRD ANGLE PROJECTION		
ANGULAR DEGREES	DO NOT SCALE DRAWING		

Amphenol Canada Corp.
www.amphenolcanada.com

MRJR SERIES MODULAR JACK
10 POSITION, 8 OR 10 CONTACTS,
VERTICAL PCB TAIL, LED, THREAD & TAIL
LENGTH OPTIONS, RoHS COMPLIANT

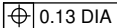
DWG. NO. **P-MRJR-54XX-XF** REV **D**

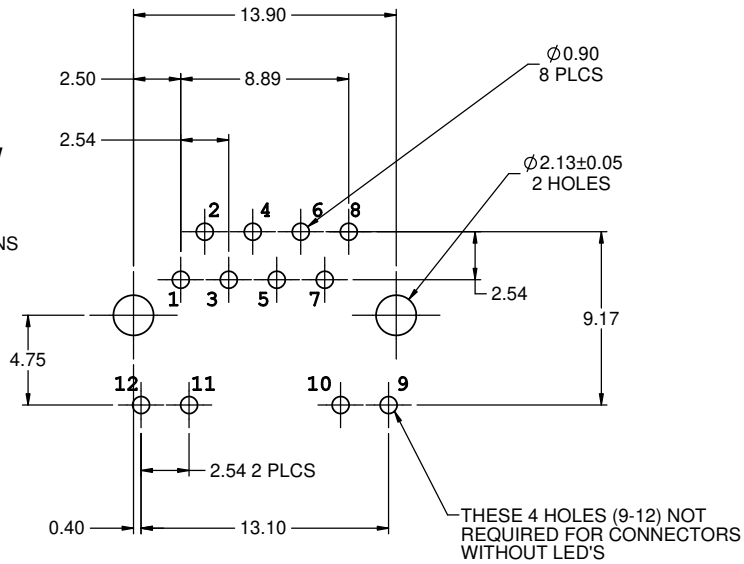
CODE ID NO. 03554 DWG SIZE: X SCALE: 3:1 SHEET 1 OF 2

**RECOMMENDED PCB LAYOUT
COMPONENT SIDE OF BOARD**

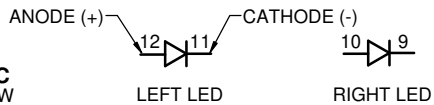
REVISIONS			
REV	DESCRIPTION, ECN, EAR NO.	DATE	APP'D
B	PRODUCT DRAWING (ECN E12460)	DEC12/12	K.L.
C	PRODUCT DRAWING (EAR 14349)	FEB24/15	K.L.
D	PRODUCT DRAWING (EAR 14349)	SEPT10/15	K.L.

8 POSITION VIEW

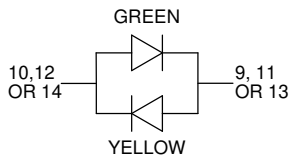
LOCATE HOLES
 0.13 DIA
 POSITION DIMENSIONS ARE BASIC.



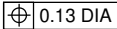
**8 POSITION
LED SCHEMATIC
GREEN OR YELLOW**

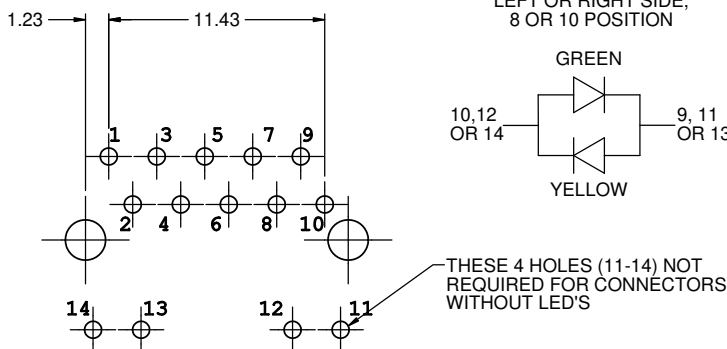


**BI-COLOUR
LED SCHEMATIC
LEFT OR RIGHT SIDE,
8 OR 10 POSITION**

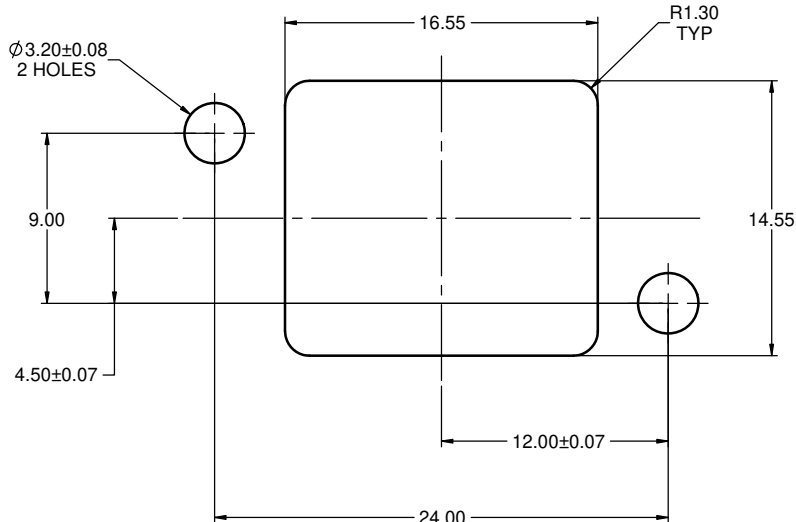
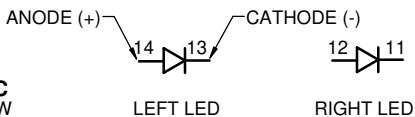


10 POSITION VIEW

LOCATE HOLES
 0.13 DIA
 POSITION DIMENSIONS ARE BASIC.

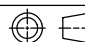


**10 POSITION
LED SCHEMATIC
GREEN OR YELLOW**



**RECOMMENDED PANEL CUTOUT
OUTSIDE PANEL VIEW**



UNLESS SPECIFIED OTHERWISE	DRAWN	A.ESPIE	JUN11/12
PRIMARY UNITS MILLIMETERS	CHECKED		
SECONDARY UNITS INCHES	M.E. APP'D		
REFERENCE IN PARENTHESES	Q.A. APP'D		
GENERAL TOLERANCES	DWG APPR.	K.LAMBIE	JUL24/12
1 DECIMAL PLACE	ENG. REL. NO.	EAR 14091	
2 DECIMAL PLACES ±0.15	REF.		
3 DECIMAL PLACES	THIRD ANGLE PROJECTION		DO NOT SCALE DRAWING
ANGULAR DEGREES			

Amphenol Canada Corp.
 www.amphenolcanada.com
MRJR SERIES MODULAR JACK
 10 POSITION, 8 OR 10 CONTACTS,
 VERTICAL PCB TAIL, LED, THREAD & TAIL
 LENGTH OPTIONS, RoHS COMPLIANT

DWG. NO.	REV
P-MRJR-54XX-XF	D
CODE ID NO. 03554	DWG SIZE: X
SCALE: 5:1	SHEET 2 OF 2