



Chipsmall Limited consists of a professional team with an average of over 10 year of expertise in the distribution of electronic components. Based in Hongkong, we have already established firm and mutual-benefit business relationships with customers from,Europe,America and south Asia,supplying obsolete and hard-to-find components to meet their specific needs.

With the principle of "Quality Parts,Customers Priority,Honest Operation,and Considerate Service",our business mainly focus on the distribution of electronic components. Line cards we deal with include Microchip,ALPS,ROHM,Xilinx,Pulse,ON,Everlight and Freescale. Main products comprise IC,Modules,Potentiometer,IC Socket,Relay,Connector.Our parts cover such applications as commercial,industrial, and automotives areas.

We are looking forward to setting up business relationship with you and hope to provide you with the best service and solution. Let us make a better world for our industry!



## Contact us

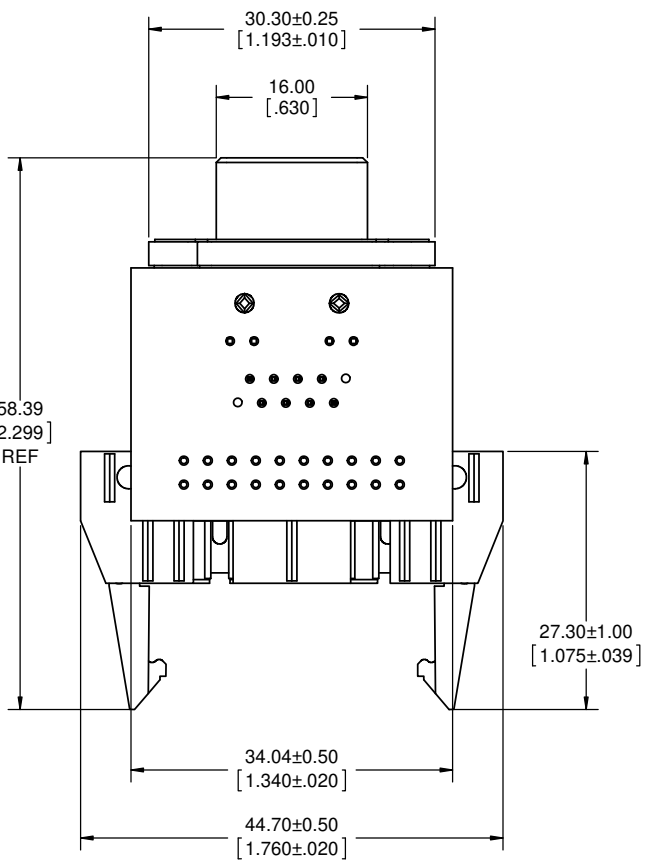
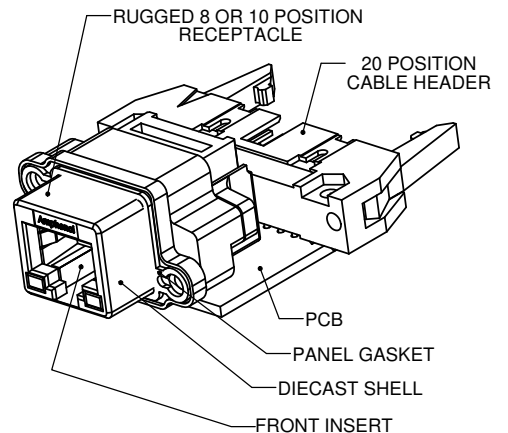
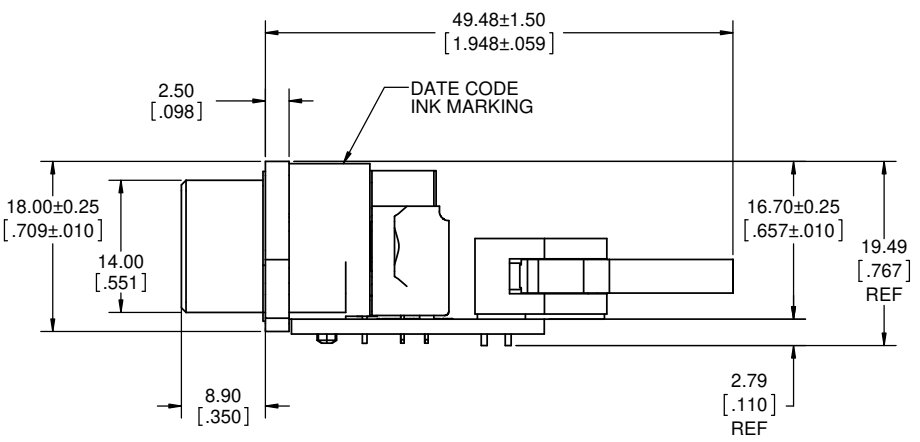
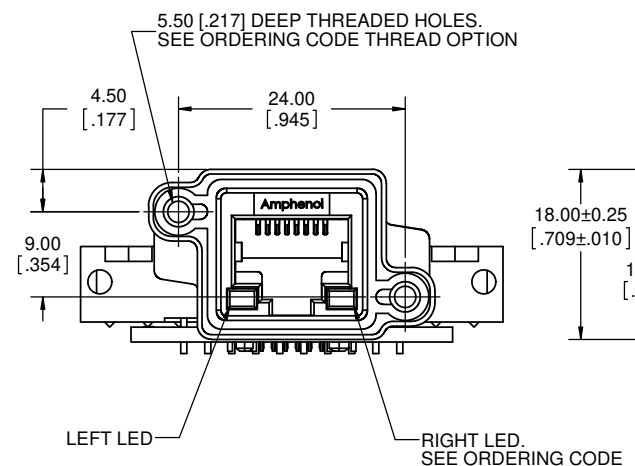
Tel: +86-755-8981 8866 Fax: +86-755-8427 6832

Email & Skype: info@chipsmall.com Web: www.chipsmall.com

Address: A1208, Overseas Decoration Building, #122 Zhenhua RD., Futian, Shenzhen, China



REVISIONS			
REV	DESCRIPTION, ECN, EAR NO.	DATE	APP'D
A	PRODUCT DRAWING (EAR 13977)	JAN31/13	KL



**ORDERING CODE: MRJR-55XX-X1**

- SERIES, RUGGED RJ
- RECEPTACLE, RIGHT ANGLE, ON PCB WITH RIGHT ANGLE CABLE HEADER
- NUMBER OF CONTACTS:  
8 = 8  
A = 10
- LED OPTION:  
0 = NONE  
1 = LEFT GREEN, RIGHT YELLOW  
4 = LEFT YELLOW, RIGHT GREEN  
5 = LEFT GREEN, RIGHT GREEN
- MOUNTING HOLE THREAD OPTION:  
0 = #4-40 UNC THREAD  
M = M3 X 0.5 THREAD
- SINGLE PORT

**SPECIAL CONNECTORS**  
MANY UNIQUE FEATURES ARE READILY AVAILABLE TO SUIT CUSTOMER REQUIREMENTS. CONSULT WITH AMPHENOL CANADA FOR DETAILS.

**NOTES:**

1. MATERIAL:  
ALL MATERIALS ARE RoHS COMPLIANT PER EU DIRECTIVE 2011/65/EU AND AMENDMENTS
  - SHELL - DIECAST ZINC, NICKEL PLATED
  - CONTACTS - PHOSPHOR BRONZE WITH 1.27µm [50µ"] GOLD OVER 1.27µm [50µ"] MINIMUM NICKEL ON THE MATING AREA AND MATTE TIN OVER NICKEL ON THE CONTACT TAILS.
  - INSERTS - ENGINEERING THERMOPLASTIC, UL94V-0 FLAMMABILITY RATING, REAR INSERTS: BLACK NYLON, FRONT INSERT: CLEAR POLYCARBONATE
  - PANEL GASKET - CONDUCTIVE SILICONE RUBBER, BLACK
  - LED'S - EPOXY LENS, STEEL TAILS WITH TIN PLATING
  - PCB - FR-4 FIBERGLASS, LEAD FREE
  - CABLE HEADER: THERMOPLASTIC HOUSING (UL94V-0, BLACK) WITH BRASS CONTACTS (PLATED GOLD OVER NICKEL), TYCO P/N 5499786-4 OR EQUIVALENT, HEADER MATES WITH TYCO RECEPTACLE 1658620-4 WITH STRAIN RELIEF 499252-2 OR EQUIVALENT
2. ENVIRONMENTAL PERFORMANCE PER IEC 60529 CODE IP67 FOR SEAL BETWEEN MATING AREA AND PCB SIDE OF CONNECTOR. GASKET PROVIDES SEAL TO INSIDE FACE OF PANEL.
3. CURRENT RATING: 1.5 AMPERES
4. CONTACT RESISTANCE: 100 MILLIOHMS MAXIMUM (SUBJECT TO VERIFICATION)
5. OPERATING TEMPERATURE: -40C TO +105C
6. LED CHARACTERISTICS: FORWARD DC CURRENT 25 mA MAX, FORWARD VOLTAGE 2.5V MAX @ 2 mA
7. AVAILABLE MATING AREA COVERS PROVIDE ADDED PROTECTION. CONSULT WITH AMPHENOL CANADA FOR DETAILS.
8. RECOMMENDED TORQUE FOR PANEL MOUNT SCREWS: 0.45 TO 0.65 Nm [4.0 TO 5.75 IN-LBS] FOR STEEL SCREWS WITH 3.00 [.118] THREAD ENGAGEMENT.
9. CUSTOMER TO VERIFY THAT ALL PROCESS CLEANERS ARE COMPATIBLE WITH POLYCARBONATE MATERIAL.



UNLESS SPECIFIED OTHERWISE	DRAWN	D.WENG	JAN09/13
PRIMARY UNITS MILLIMETERS	CHECKED		
SECONDARY INCHES	M.E. APP'D		
REFERENCE IN PARENTHESES	Q.A. APP'D		
GENERAL TOLERANCES	DWG APPR.	K.LAMBIE	JAN31/13
1 DECIMAL PLACE	ENG. REL. NO.	EAR 13977	
2 DECIMAL PLACES ±0.15	REF.		
3 DECIMAL PLACES	THIRD ANGLE PROJECTION		
ANGULAR DEGREES	DO NOT SCALE DRAWING		

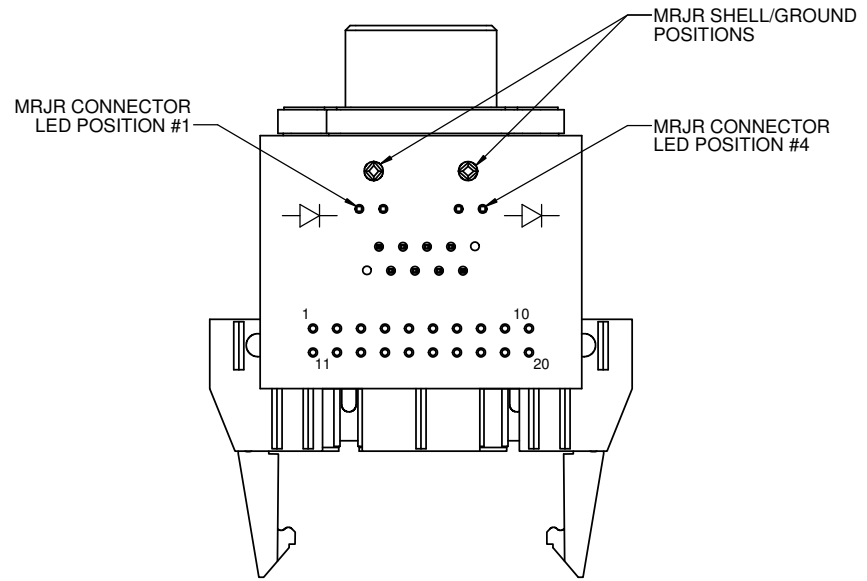
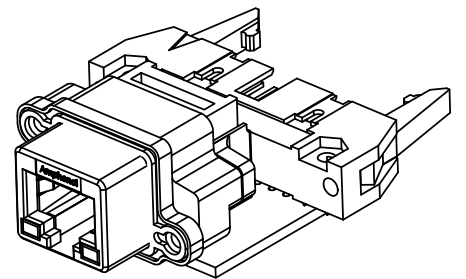
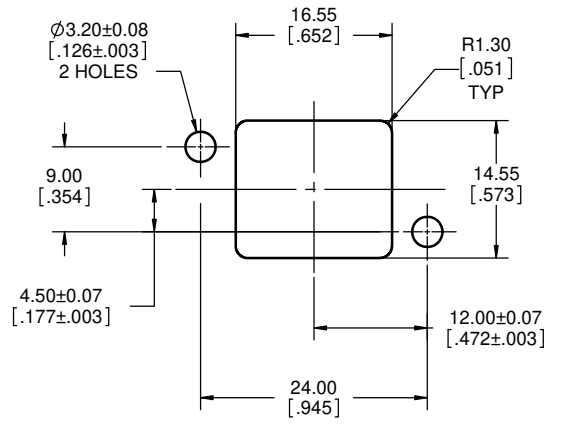
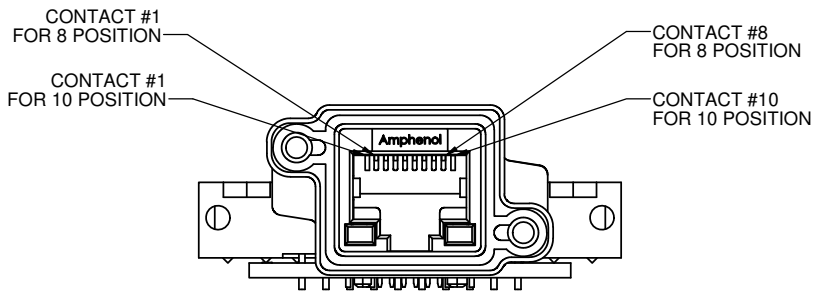
**Amphenol Canada Corp.**  
www.amphenolcanada.com

MRJR SERIES RUGGED MODULAR JACK, ON PCB WITH RIGHT ANGLE CABLE HEADER, 8 OR 10 POSITION, LED & THREAD OPTIONS, ROHS COMPLIANT

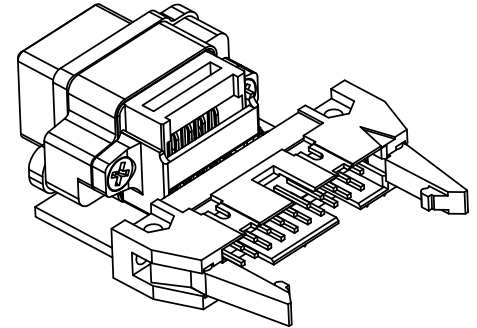
DWG. NO. P-MRJR-55XX-X1 REV A

CODE ID NO. 03554 DWG SIZE: X SCALE: 5:2 SHEET 1 OF 2

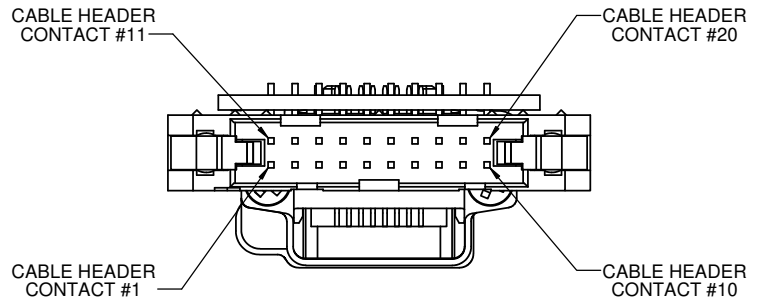
REVISIONS			
REV	DESCRIPTION, ECN, EAR NO.	DATE	APP'D
A	PRODUCT DRAWING (EAR 13977)	JAN31/13	KL



**RECOMMENDED PANEL CUTOUT**  
OUTSIDE PANEL VIEW



MRJR TO HEADER CONNECTIONS CHART		
MRJR CONNECTOR STYLE		CABLE HEADER CONTACTS
8 POSITION	10 POSITION	
SHELL/GROUND	SHELL/GROUND	10
--	1	2
1	2	12
2	3	3
3	4	13
4	5	4
5	6	14
6	7	5
7	8	15
8	9	6
--	10	16
LED1	LED1	1
LED2	LED2	11
LED3	LED3	7
LED4	LED4	17



UNLESS SPECIFIED OTHERWISE	DRAWN	D.WENG	JAN09/13
PRIMARY UNITS MILLIMETERS	CHECKED		
SECONDARY UNITS INCHES	M.E. APP'D		
REFERENCE IN PARENTHESES	Q.A. APP'D		
GENERAL TOLERANCES	DWG APPR.	K.LAMBIE	JAN31/13
1 DECIMAL PLACE	ENG. REL. NO.	EAR 13977	
2 DECIMAL PLACES ±0.15	REF.		
3 DECIMAL PLACES	THIRD ANGLE PROJECTION		
ANGULAR DEGREES	DO NOT SCALE DRAWING		

**Amphenol Canada Corp.**  
www.amphenolcanada.com

**MRJR SERIES RUGGED MODULAR JACK, ON PCB WITH RIGHT ANGLE CABLE HEADER, 8 OR 10 POSITION, LED & THREAD OPTIONS, ROHS COMPLIANT**

DWG. NO. **P-MRJR-55XX-X1** REV **A**

CODE ID NO. 03554 DWG SIZE: X SCALE: 5:2 SHEET 2 OF 2