



Chipsmall Limited consists of a professional team with an average of over 10 year of expertise in the distribution of electronic components. Based in Hongkong, we have already established firm and mutual-benefit business relationships with customers from,Europe,America and south Asia,supplying obsolete and hard-to-find components to meet their specific needs.

With the principle of “Quality Parts,Customers Priority,Honest Operation,and Considerate Service”,our business mainly focus on the distribution of electronic components. Line cards we deal with include Microchip,ALPS,ROHM,Xilinx,Pulse,ON,Everlight and Freescale. Main products comprise IC,Modules,Potentiometer,IC Socket,Relay,Connector.Our parts cover such applications as commercial,industrial, and automotives areas.

We are looking forward to setting up business relationship with you and hope to provide you with the best service and solution. Let us make a better world for our industry!



Contact us

Tel: +86-755-8981 8866 Fax: +86-755-8427 6832

Email & Skype: info@chipsmall.com Web: www.chipsmall.com

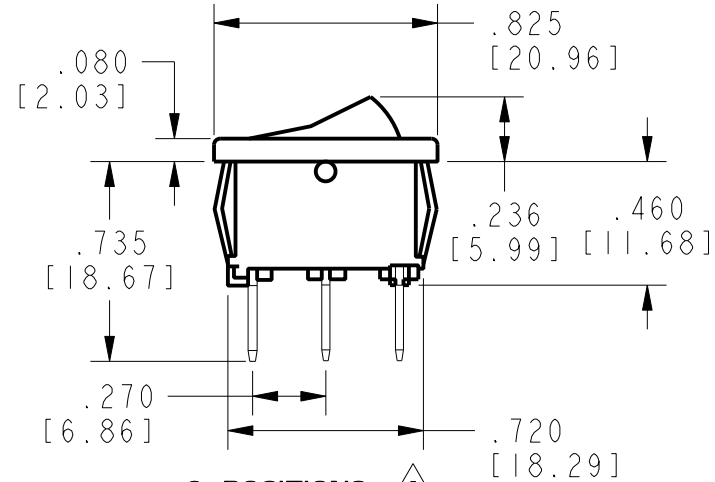
Address: A1208, Overseas Decoration Building, #122 Zhenhua RD., Futian, Shenzhen, China



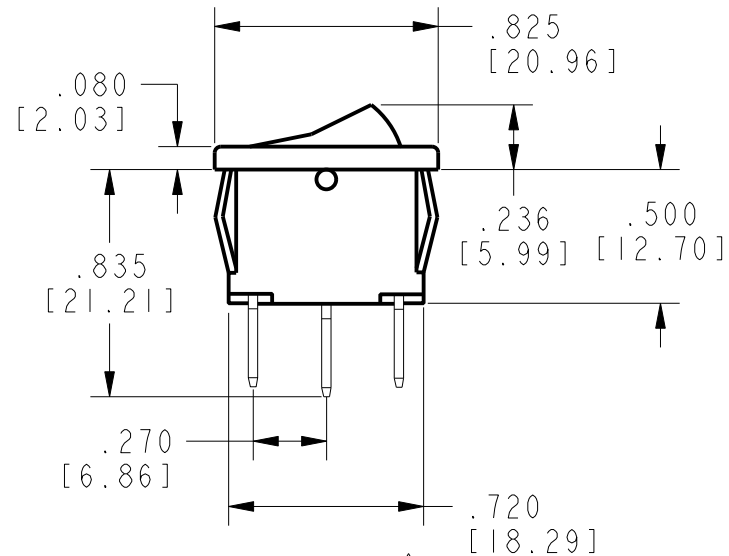
HONEYWELL
PART NUMBER



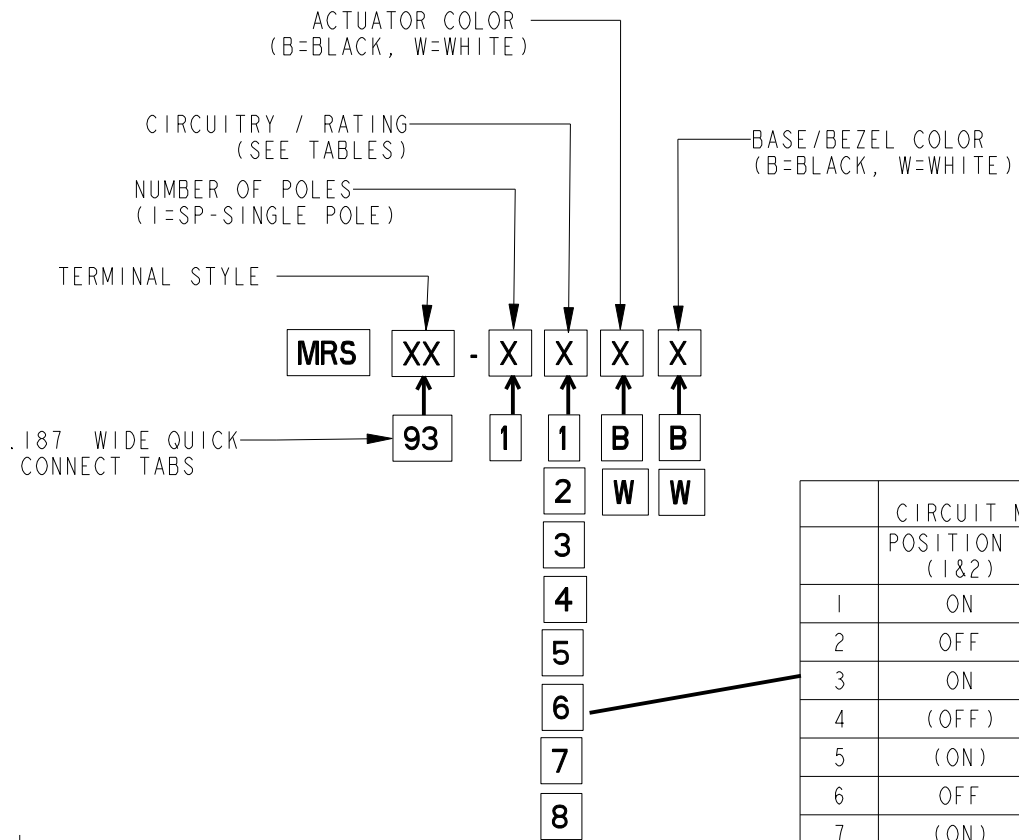
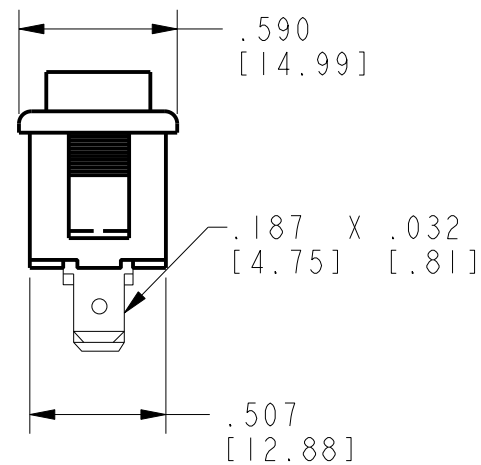
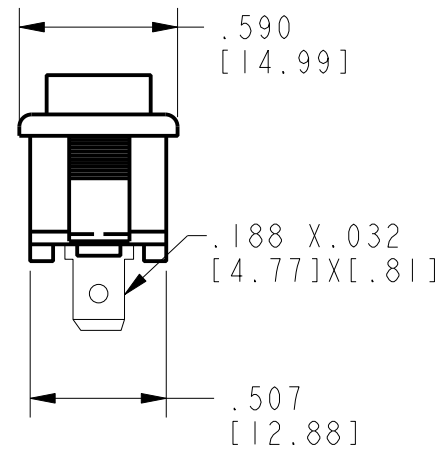
REV	DOCUMENT	CHANGED BY	CHECK
A	0016263	KSR 27OCT05	RJ



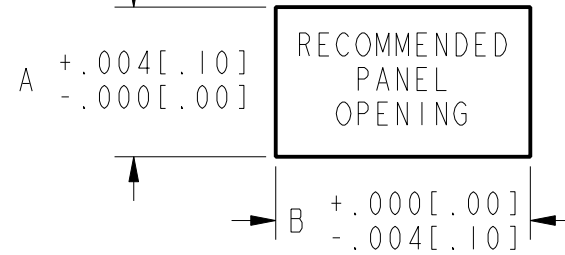
2 POSITIONS



3 POSITIONS



	CIRCUIT MADE WITH ROCKER IN			ELECTRICAL RATING
	POSITION 3 (1&2)	POSITION 2	POSITION 1 (2&3)	
1	ON	OFF	ON	2
2	OFF	NONE	ON	1
3	ON	NONE	ON	1
4	(OFF)	NONE	ON	3
5	(ON)	OFF	ON	2
6	OFF	NONE	(ON)	3
7	(ON)	OFF	(ON)	2
8	(ON)	NONE	ON	3



PANEL THICKNESS	A	B
.030 [.76] - .050 [1.27]	.508 [12.90]	.756 [19.20]
.050 [1.27] - .078 [1.98]	.508 [12.90]	.764 [19.40]
.078 [1.98] - .125 [3.17]	.508 [12.90]	.780 [19.81]

ELECTRICAL RATINGS		
1	10A, 125VAC 10A, 250VAC 1/4HP, 125-250VAC	UL CSA
2	8A, 125-250VAC 1/4HP, 125-250VAC	
3	12A, 125VAC 6A, 250VAC 1/4HP, 125-250VAC	

- 1 - OPERATING TEMPERATURE RANGE : 32°F TO 185°F
- 2 - ELECTRICAL LIFE : 50,000 CYCLES MOMENTARY.
100,000 CYCLES MAINTAINED.
- 3 - MECHANICAL LIFE : 100,000 CYCLES
- SEE DIAGRAM FOR CATALOGING SCHEME
- CATALOG LISTINGS WITH CIRCUITRY OF "NONE" FOR POSITION 2
- CATALOG LISTINGS WITH CIRCUITRY OF "OFF" FOR POSITION 2
- PARENTHESES DENOTE MOMENTARY ACTION

DESIGN UNITS: INCH		
TOLERANCES UNLESS NOTED:		
NO PLACE	X ±	0.040
ONE PLACE	.X ±	0.030
TWO PLACE	.XX ±	0.015
THREE PLACE	.XXX ±	0.015
FOUR PLACE	.XXXX ±	0.005
ANGLES	X ±	2

THIRD ANGLE PROJECTION

DRAWN	NM	15 JUN 05
CHECK	RJ	27OCT05

THIS DRAWING COVERS A PROPRIETARY ITEM AND IS THE PROPERTY OF HONEYWELL. THIS DRAWING IS NOT TO BE COPIED OR USED WITHOUT THE PERMISSION OF HONEYWELL.

INTERPRET PER ASME Y14.5M-1994 OTHER HONEYWELL ENGINEERING STANDARDS MAY APPLY

Pro/ENGINEER 2D

Honeywell

SWITCH , ROCKER

SIZE	TYPE	DRAWING NAME	REV
B	I	MRS SERIES CHART 1	A
SCALE	-	SHEET	1 OF 1