



Chipsmall Limited consists of a professional team with an average of over 10 year of expertise in the distribution of electronic components. Based in Hongkong, we have already established firm and mutual-benefit business relationships with customers from,Europe,America and south Asia,supplying obsolete and hard-to-find components to meet their specific needs.

With the principle of “Quality Parts,Customers Priority,Honest Operation,and Considerate Service”,our business mainly focus on the distribution of electronic components. Line cards we deal with include Microchip,ALPS,ROHM,Xilinx,Pulse,ON,Everlight and Freescale. Main products comprise IC,Modules,Potentiometer,IC Socket,Relay,Connector.Our parts cover such applications as commercial,industrial, and automotives areas.

We are looking forward to setting up business relationship with you and hope to provide you with the best service and solution. Let us make a better world for our industry!



Contact us

Tel: +86-755-8981 8866 Fax: +86-755-8427 6832

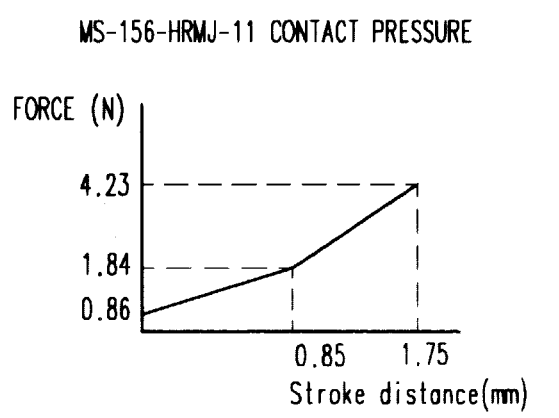
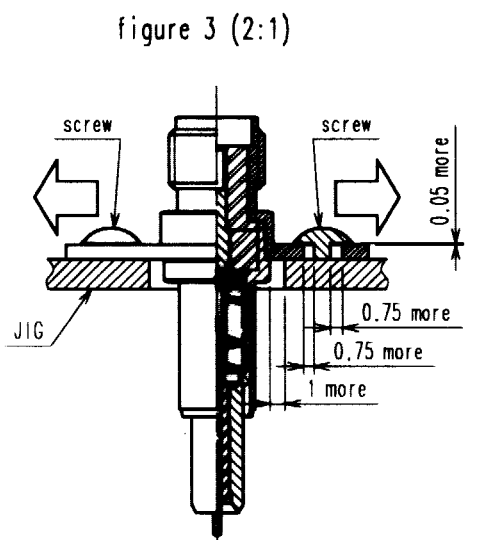
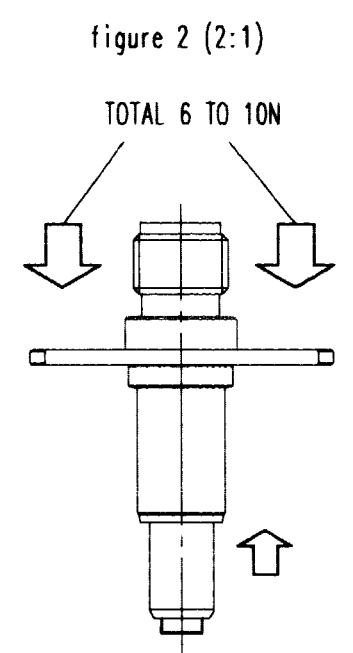
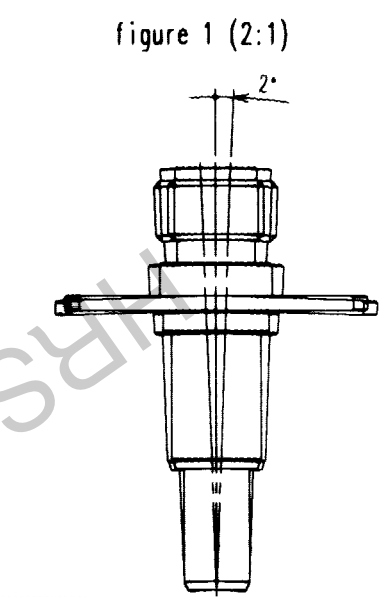
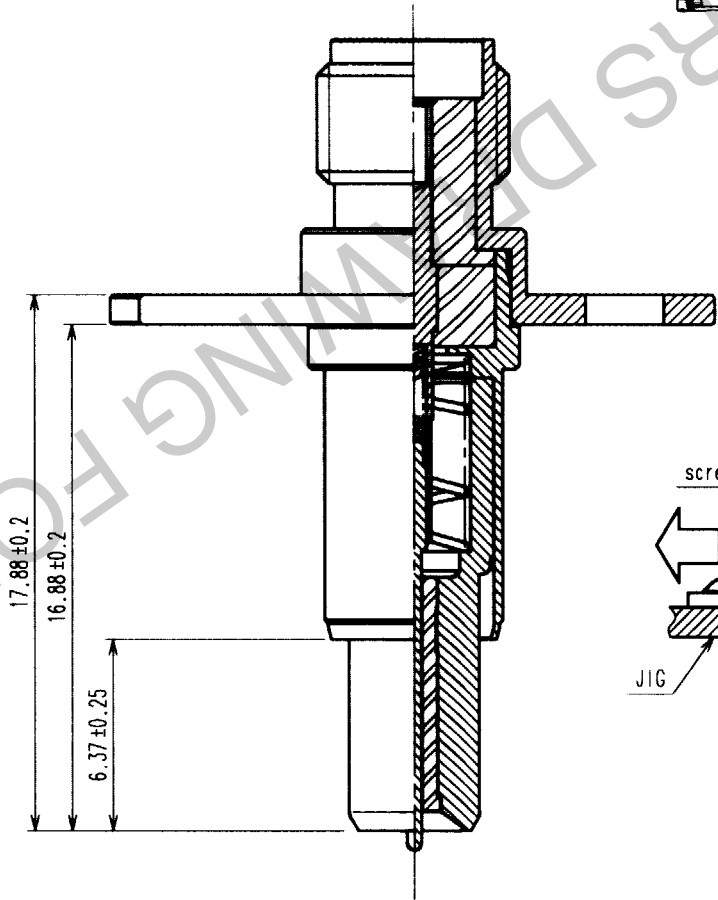
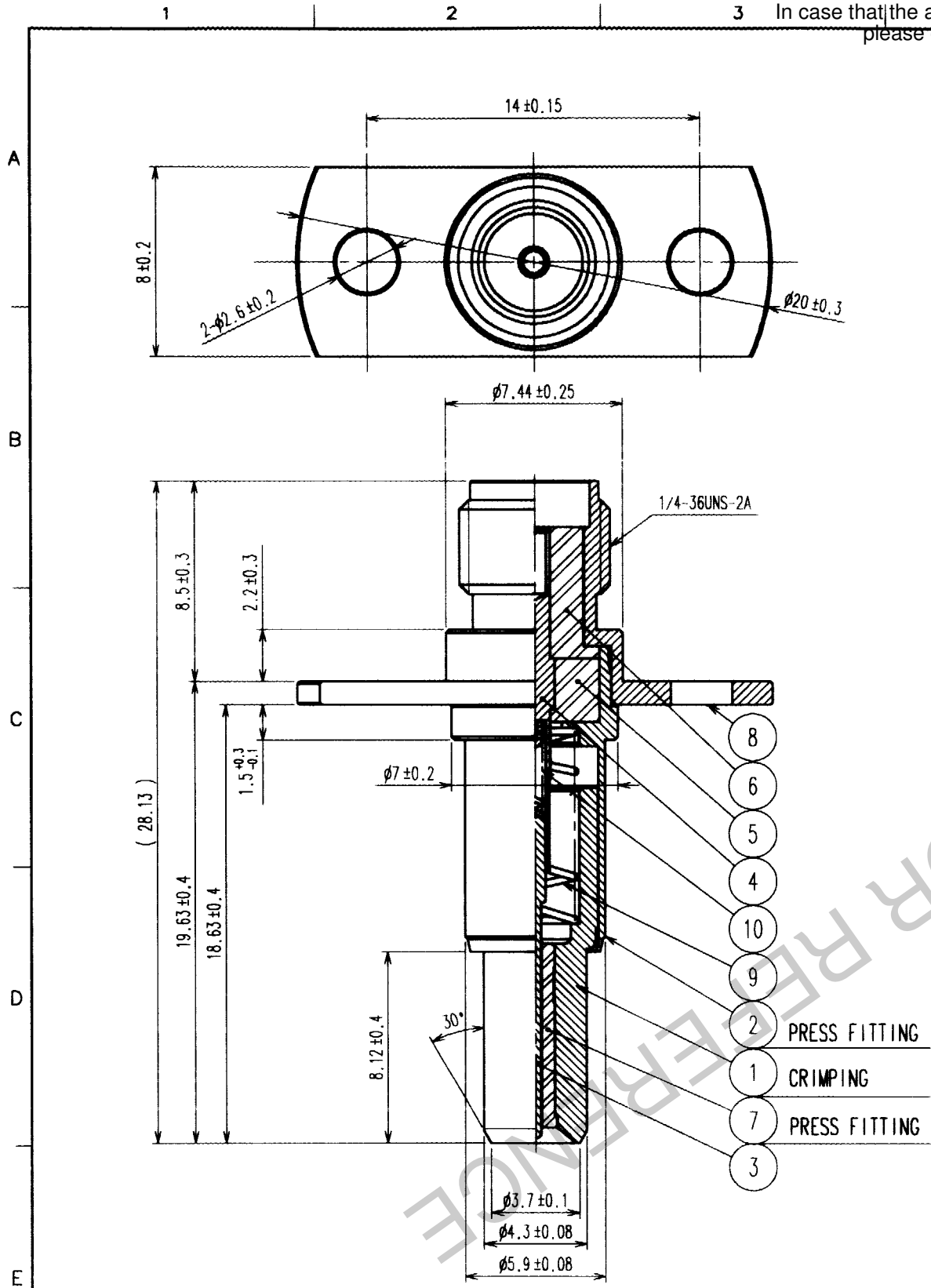
Email & Skype: info@chipsmall.com Web: www.chipsmall.com

Address: A1208, Overseas Decoration Building, #122 Zhenhua RD., Futian, Shenzhen, China



In case that the application demands a high level of reliability, such as automotive, please contact a company representative for further information.

COUNT	DESCRIPTION OF REVISIONS	BY	CHKD	DATE	COUNT	DESCRIPTION OF REVISIONS	BY	CHKD	DATE



NOTE 1. This adaptor must be pushed on the receptacle (MS-156) with 6 to 10N. (refer to figure 2)
 2. Mating angle must be less than ±2 degree. (refer to figure 1)
 3. This product should not be fixed completely so that it keep space to align for connection. If your jig have alignment structure, it is not needed.
 4. Recommended setting configuration is shown in figure 3.

5	PTFE		10	STAINLESS	GOLD
4	BERYLLIUM COPPER	GOLD	9	STAINLESS	
3	BERYLLIUM COPPER	GOLD	8	STAINLESS	PASSIVATE
2	BERYLLIUM COPPER	GOLD	7	PTFE	
1	BERYLLIUM COPPER	GOLD	6	PTFE	
NO.	MATERIAL	FINISH, REMARKS	NO.	MATERIAL	FINISH, REMARKS

CODE NO. (OLD)	DRAWN	DESIGNED	CHECKED	APPROVED	RELEASED
	<i>K. Kido</i>	<i>K. Kido</i>	<i>K. Yamamura</i>	<i>Y. Inoue</i>	
	03.7.31	03.7.31	03.8.1	03.8.1	

SCALE	DRAWING NO.	PART NO.
4 : 1	EDC3-180365	MS-156-HRMJ-11
UNITS	HIROSE ELECTRIC CO., LTD	CODE NO.
mm		CL358-0192-5

TO
RFD