



Chipsmall Limited consists of a professional team with an average of over 10 year of expertise in the distribution of electronic components. Based in Hongkong, we have already established firm and mutual-benefit business relationships with customers from,Europe,America and south Asia,supplying obsolete and hard-to-find components to meet their specific needs.

With the principle of "Quality Parts,Customers Priority,Honest Operation,and Considerate Service",our business mainly focus on the distribution of electronic components. Line cards we deal with include Microchip,ALPS,ROHM,Xilinx,Pulse,ON,Everlight and Freescale. Main products comprise IC,Modules,Potentiometer,IC Socket,Relay,Connector.Our parts cover such applications as commercial,industrial, and automotives areas.

We are looking forward to setting up business relationship with you and hope to provide you with the best service and solution. Let us make a better world for our industry!



Contact us

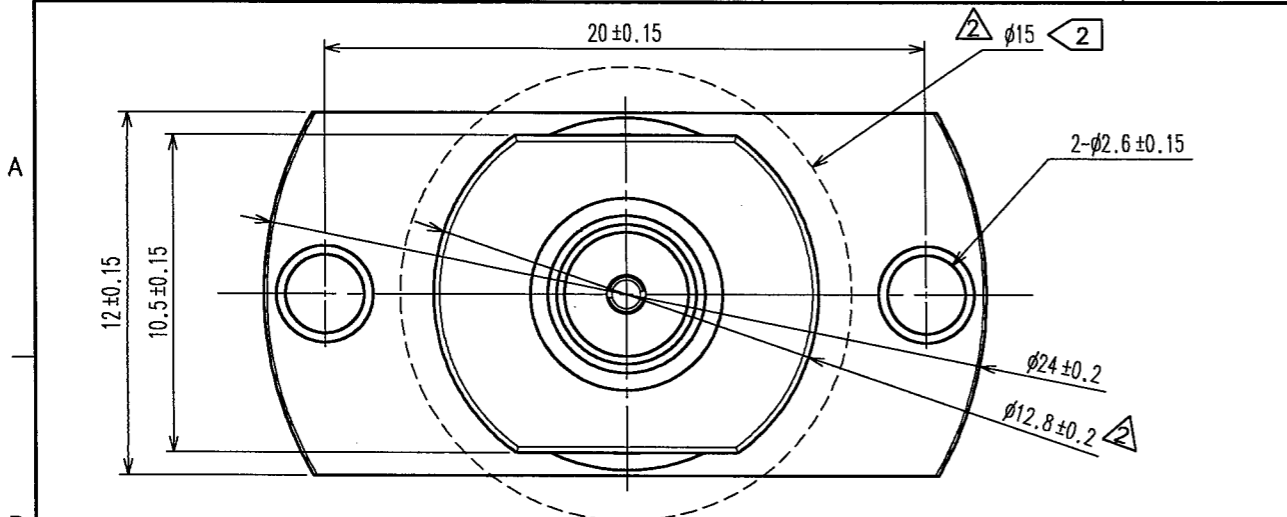
Tel: +86-755-8981 8866 Fax: +86-755-8427 6832

Email & Skype: info@chipsmall.com Web: www.chipsmall.com

Address: A1208, Overseas Decoration Building, #122 Zhenhua RD., Futian, Shenzhen, China

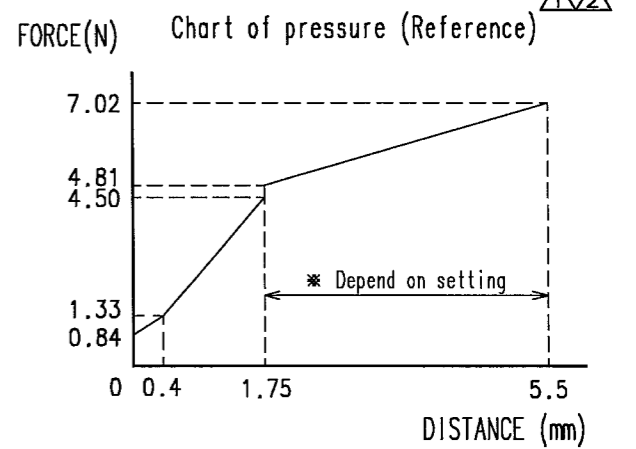
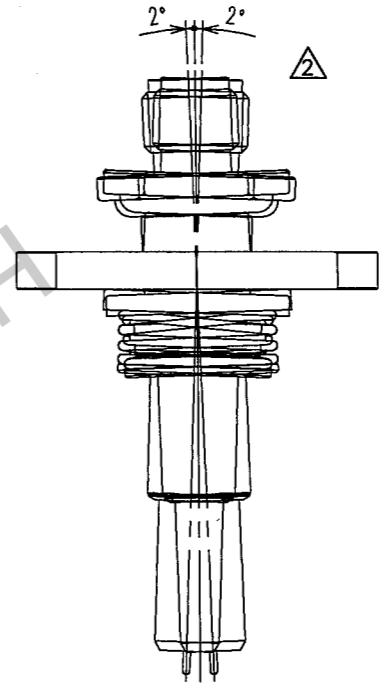
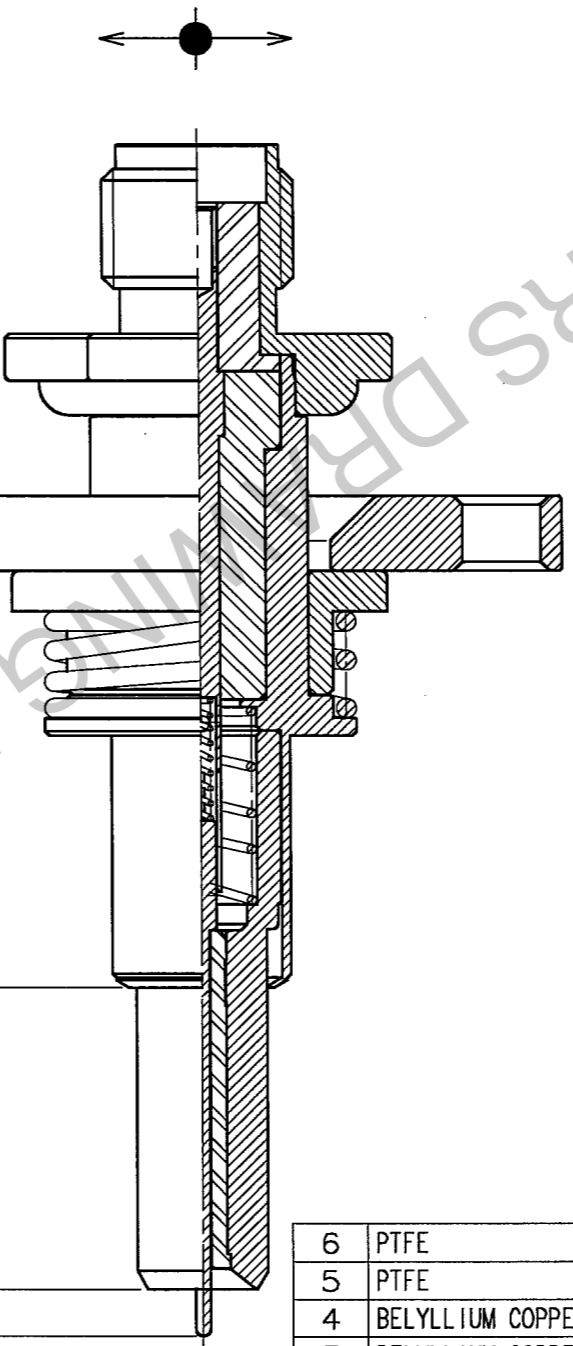
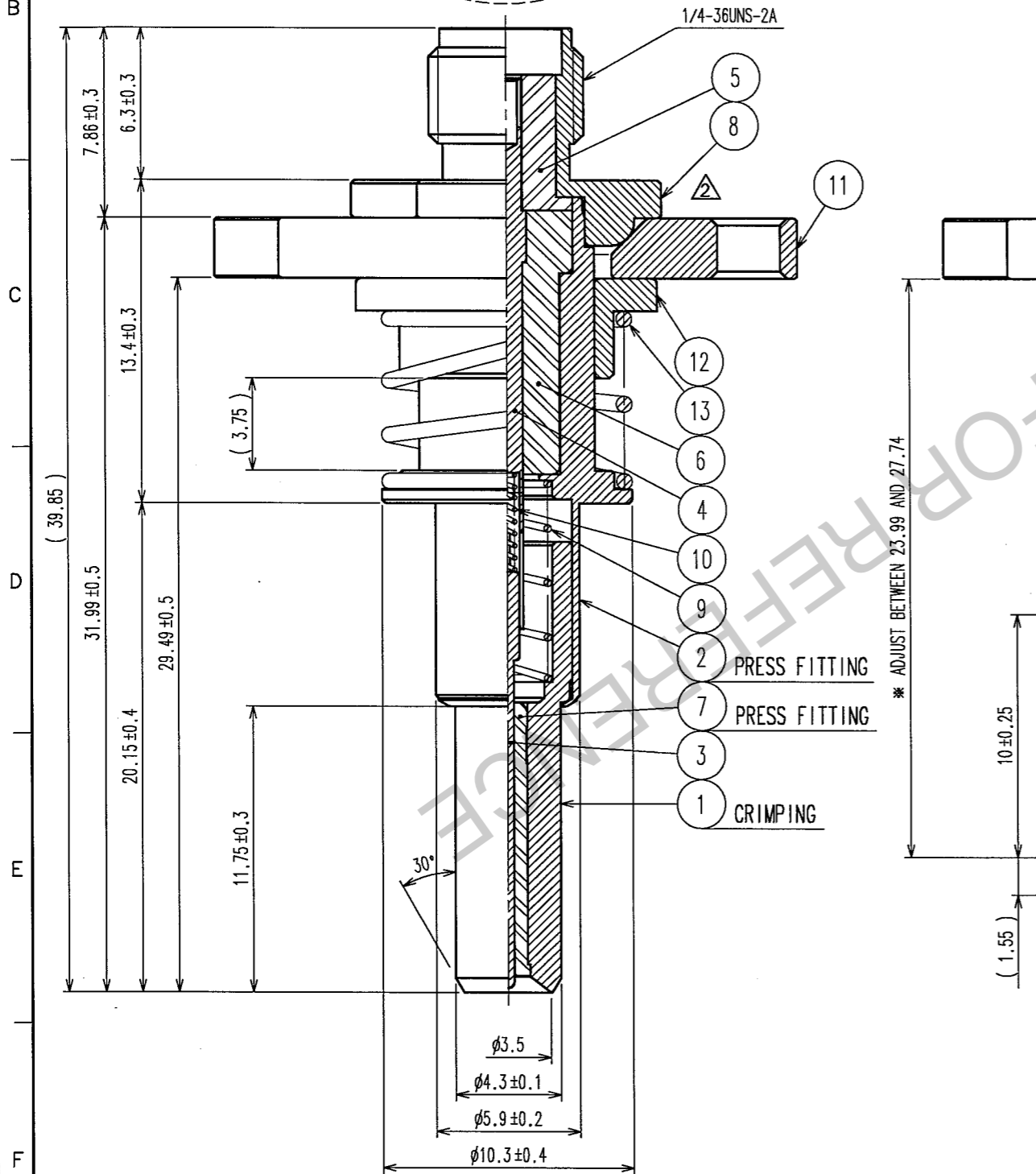


COUNT	DESCRIPTION OF REVISIONS	BY	CHKD	DATE	COUNT	DESCRIPTION OF REVISIONS	BY	CHKD	DATE
1	RE-J-02130	N.S	R.K	'04. 2. 9					
5	RE-J-02188	N.S	R.K	'04. 6. 21					



FLOATING AMOUNT ±0.75mm

FIGURE 1 (2:1)



6	PTFE		13	STAINLESS STEEL	
5	PTFE		12	PHOSPHOR BRONZE	NICKEL PLATING
4	BELLYLIUM COPPER	GOLD PLATING	11	STAINLESS STEEL	PASSIVATE
3	BELLYLIUM COPPER	GOLD PLATING	10	STAINLESS STEEL	GOLD PLATING
2	BELLYLIUM COPPER	GOLD PLATING	9	STAINLESS STEEL	GOLD PLATING
1	BELLYLIUM COPPER	GOLD PLATING	8	STAINLESS STEEL	PASSIVATE
			7	PTFE	

NO.	MATERIAL	FINISH, REMARKS	NO.	MATERIAL	FINISH, REMARKS

CODE NO. (OLD)	DRAWN	DESIGNED	CHECKED	APPROVED	RELEASED
	N.SHIRAI	N.SHIRAI	R.KANO	K.KAWAMURA	
	'03.11.4	'03.11.4	'03.11.11	'03.11.19	

TO RFD

NOTE 1 Mating angle which is less than 2 degree is acceptable.(Refer to fig.1)
2 No obstacles in this area.