



Chipsmall Limited consists of a professional team with an average of over 10 year of expertise in the distribution of electronic components. Based in Hongkong, we have already established firm and mutual-benefit business relationships with customers from,Europe,America and south Asia,supplying obsolete and hard-to-find components to meet their specific needs.

With the principle of “Quality Parts,Customers Priority,Honest Operation,and Considerate Service”,our business mainly focus on the distribution of electronic components. Line cards we deal with include Microchip,ALPS,ROHM,Xilinx,Pulse,ON,Everlight and Freescale. Main products comprise IC,Modules,Potentiometer,IC Socket,Relay,Connector.Our parts cover such applications as commercial,industrial, and automotives areas.

We are looking forward to setting up business relationship with you and hope to provide you with the best service and solution. Let us make a better world for our industry!



Contact us

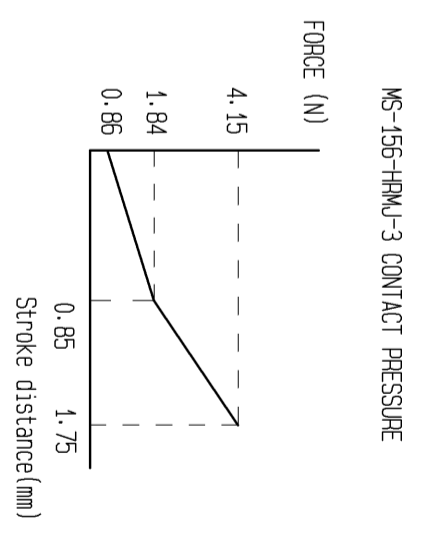
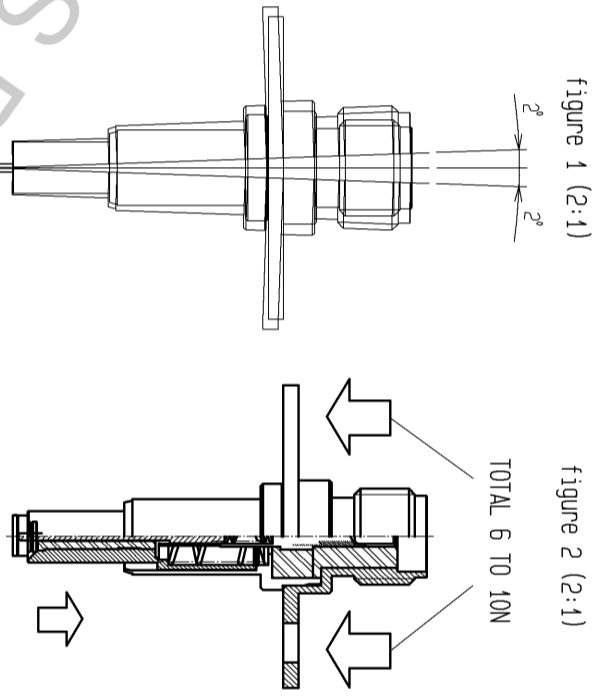
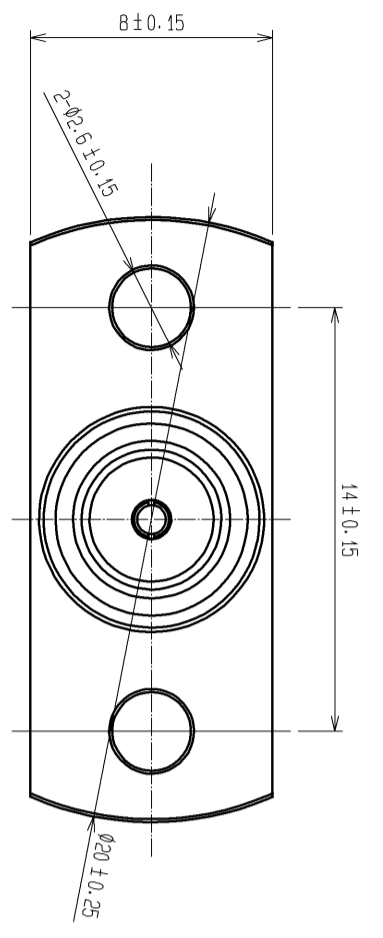
Tel: +86-755-8981 8866 Fax: +86-755-8427 6832

Email & Skype: info@chipsmall.com Web: www.chipsmall.com

Address: A1208, Overseas Decoration Building, #122 Zhenhua RD., Futian, Shenzhen, China



△ REDRAWING



△ ③ DETAILED DRAWING (5 : 1)

figure 3: NO EJECTION OF MALE CONTACT

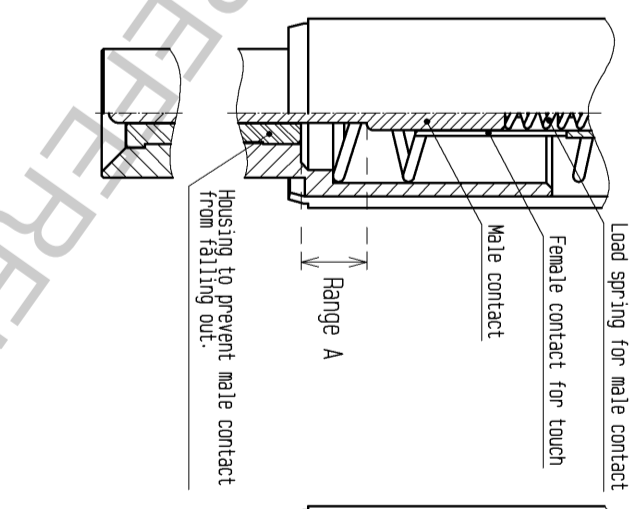
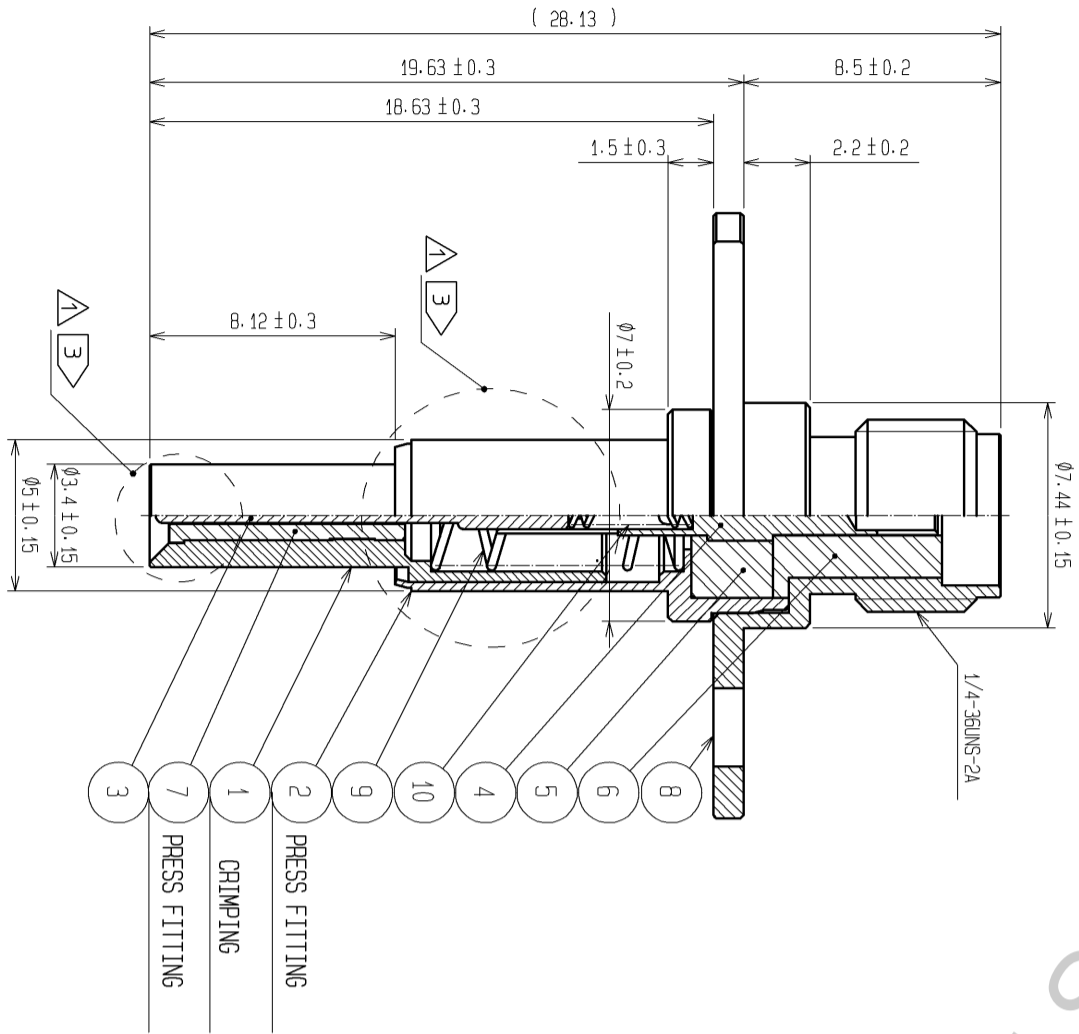
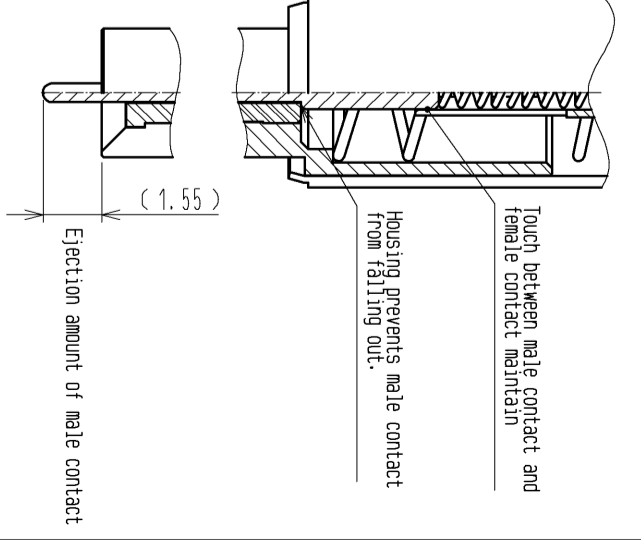


figure 4: MAX EJECTION OF MALE CONTACT



△ NOTE 1: This adaptor must be pushed on the receptacle (MS-156 series) with 6 to 10N. (refer to figure 2)
 2: Mating angle must be less than ± 2 degree. (refer to figure 1)

△ ③ Even in unused condition, the male contact may move within range A and thus may become exposed like figure 4 when delivered. However this is not a defect. If the male contact is exposed, please vertically push the male contact into the position of figure 3 before using.

5	PTFE		10	STAINLESS	GOLD PLATING
4	BERYLLIUM COPPER	GOLD PLATING	9	STAINLESS	
3	BERYLLIUM COPPER	GOLD PLATING	8	STAINLESS	PASSIVATE
2	BERYLLIUM COPPER	GOLD PLATING	7	PTFE	
1	BERYLLIUM COPPER	GOLD PLATING	6	PTFE	
NO. MATERIAL		FINISH . REMARKS		NO. MATERIAL FINISH . REMARKS	
UNITS		SCALE		COUNT	
mm		4 : 1		6	
DIS-D-002553		DESCRIPTION OF REVISIONS		DESIGNED	
APPROVED : K.J. KAWAMURA		05.01.05		RO. FURUYAMA	
NO.		DRAWING		E DC3-180281-00	
CHECKED : R.Z. KANO		05.01.05		PART	
DESIGNED : KH. HIDA		05.01.05		NO.	
DRAWN : KH. HIDA		05.01.05		CODE	
				CL358-0171-5-00	
				NO.	
				CHECKED	
				NK. NIWOMIYA	
				DATE	
				12.09.10	

