



Chipsmall Limited consists of a professional team with an average of over 10 year of expertise in the distribution of electronic components. Based in Hongkong, we have already established firm and mutual-benefit business relationships with customers from,Europe,America and south Asia,supplying obsolete and hard-to-find components to meet their specific needs.

With the principle of “Quality Parts,Customers Priority,Honest Operation,and Considerate Service”,our business mainly focus on the distribution of electronic components. Line cards we deal with include Microchip,ALPS,ROHM,Xilinx,Pulse,ON,Everlight and Freescale. Main products comprise IC,Modules,Potentiometer,IC Socket,Relay,Connector.Our parts cover such applications as commercial,industrial, and automotives areas.

We are looking forward to setting up business relationship with you and hope to provide you with the best service and solution. Let us make a better world for our industry!



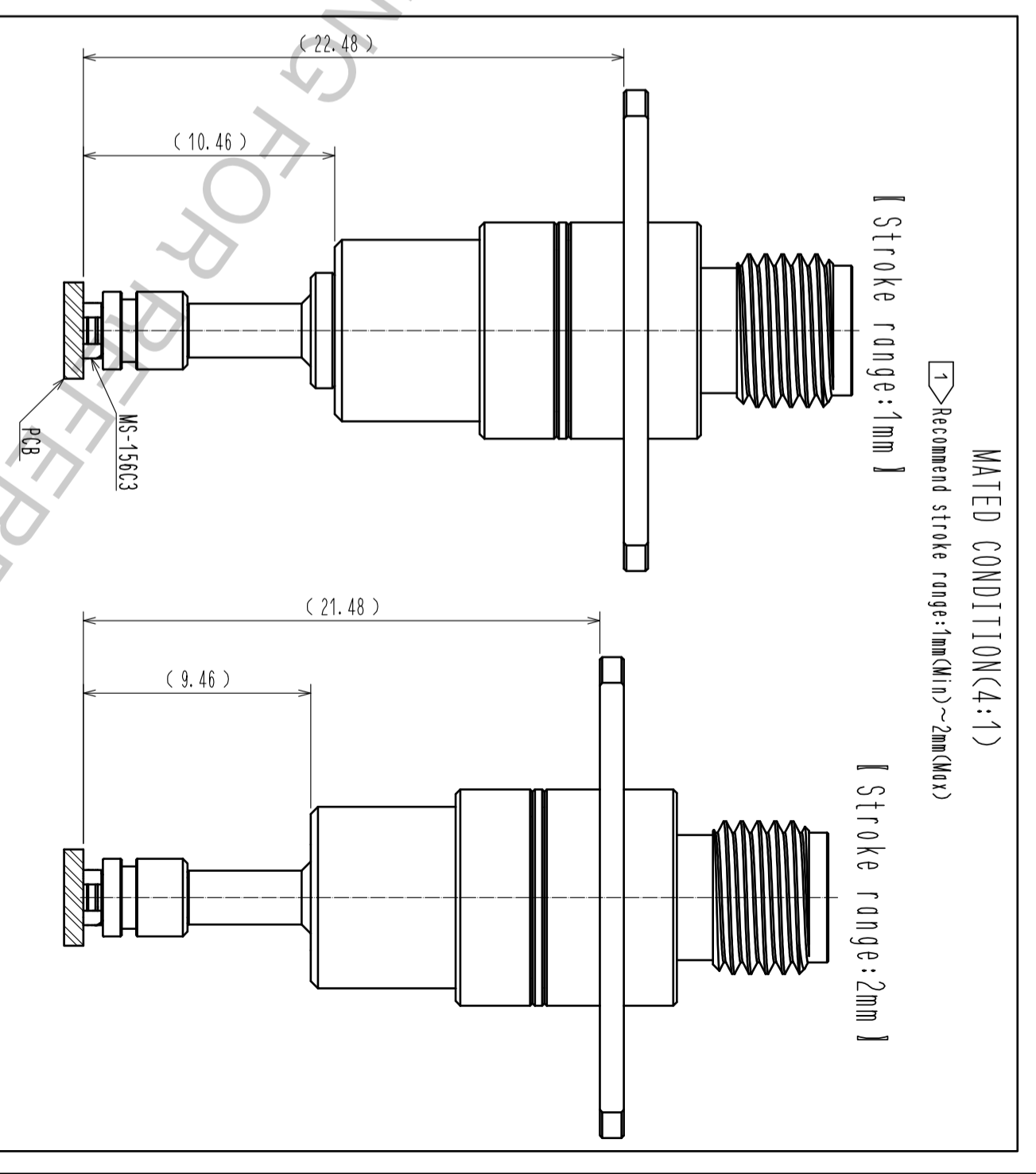
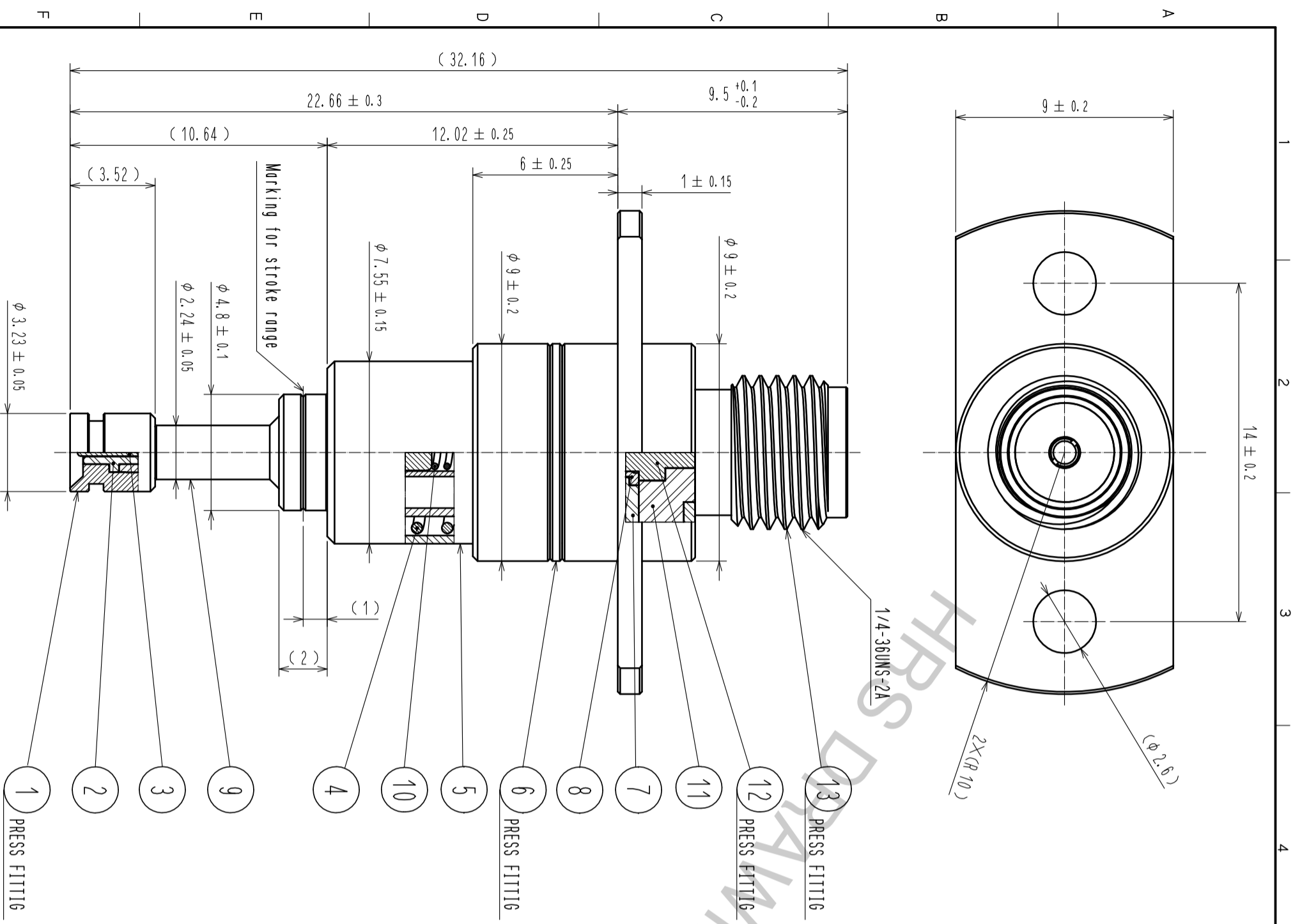
## Contact us

Tel: +86-755-8981 8866 Fax: +86-755-8427 6832

Email & Skype: info@chipsmall.com Web: www.chipsmall.com

Address: A1208, Overseas Decoration Building, #122 Zhenhua RD., Futian, Shenzhen, China





Note: 1 Please note this product (MS-156-HRMJ-F6) vertically to the receptacle (MS-156C3) within the the recommend stroke range.

ROHS COMPLIANT

7	PTFE								
6	BERYLLIUM COPPER	GOLD PLATING							
5	PHOSPHOR BRONZE	NICKEL PLATING							
4	PIANO WIRE	NICKEL PLATING							
3	BERYLLIUM COPPER	GOLD PLATING							
2	PTFE								
1	STAINLESS STEEL	GOLD PLATING							
NO.	MATERIAL	FINISH	REMARKS	NO.	MATERIAL	FINISH	REMARKS	NO.	MATERIAL
13	STAINLESS STEEL	PASSIVATE		9	BERYLLIUM COPPER	GOLD PLATING		8	BERYLLIUM COPPER
12	BERYLLIUM COPPER	GOLD PLATING		10	PIANO WIRE	GOLD PLATING			
11	PTFE			9	BERYLLIUM COPPER	GOLD PLATING			
10	PIANO WIRE	GOLD PLATING		8	BERYLLIUM COPPER	GOLD PLATING			
9	BERYLLIUM COPPER	GOLD PLATING							
8	BERYLLIUM COPPER	GOLD PLATING							

UNITS	mm	SCALE	5 : 1	COUNT		DESCRIPTION OF REVISIONS	DESIGNED	CHECKED	DATE
APPROVED	KH. IKEDA	16.03.16	DRAWING	EDC-360551-00-00					
CHECKED	NK. NINOMIYA	16.03.16	PART	MS-156-HRMJ-F6					
DESIGNED	RO. FURUYAMA	16.03.16	CODE	CL358-0352-0-00					
DRAWN	RO. FURUYAMA	16.03.16	NO.						