



Chipsmall Limited consists of a professional team with an average of over 10 year of expertise in the distribution of electronic components. Based in Hongkong, we have already established firm and mutual-benefit business relationships with customers from,Europe,America and south Asia,supplying obsolete and hard-to-find components to meet their specific needs.

With the principle of “Quality Parts,Customers Priority,Honest Operation,and Considerate Service”,our business mainly focus on the distribution of electronic components. Line cards we deal with include Microchip,ALPS,ROHM,Xilinx,Pulse,ON,Everlight and Freescale. Main products comprise IC,Modules,Potentiometer,IC Socket,Relay,Connector.Our parts cover such applications as commercial,industrial, and automotives areas.

We are looking forward to setting up business relationship with you and hope to provide you with the best service and solution. Let us make a better world for our industry!



Contact us

Tel: +86-755-8981 8866 Fax: +86-755-8427 6832


Email & Skype: info@chipsmall.com Web: www.chipsmall.com

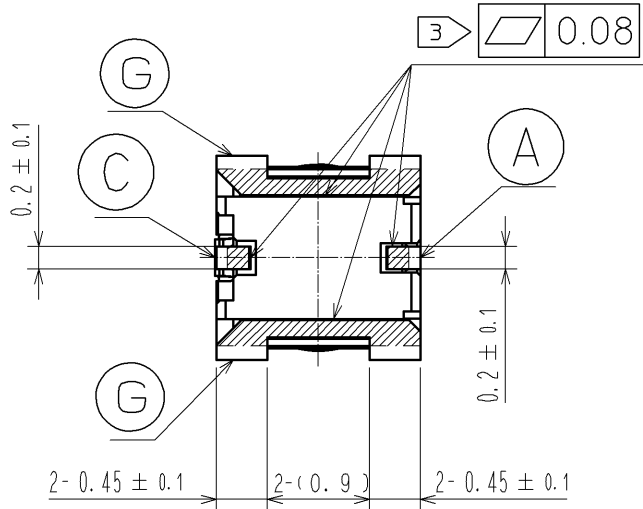
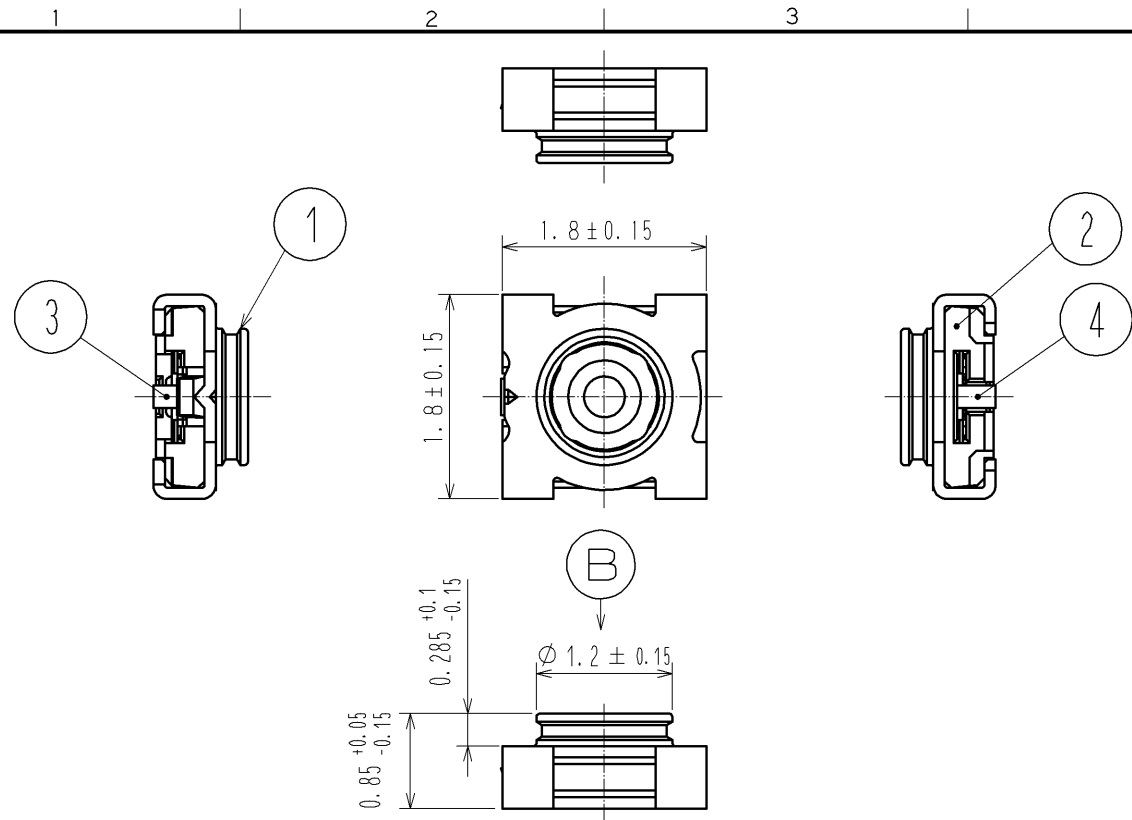
Address: A1208, Overseas Decoration Building, #122 Zhenhua RD., Futian, Shenzhen, China



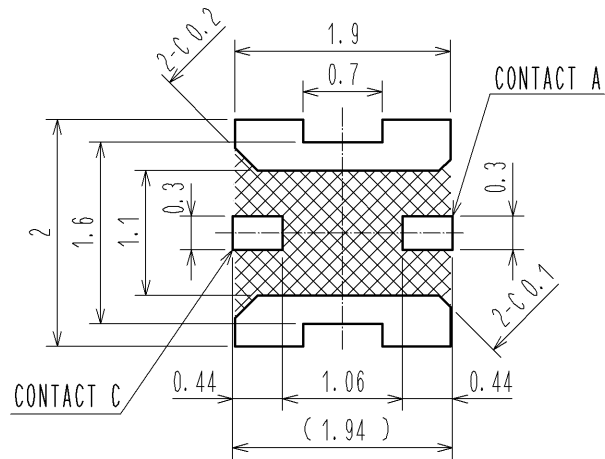
APPLICABLE STANDARD								
RATING	OPERATING TEMPERATURE RANGE	-40°C TO +85°C		STORAGE TEMPERATURE RANGE	-30°C TO +70°C			
	POWER	2 W		CHARACTERISTIC IMPEDANCE	50 Ω			
	FREQUENCY RANGE	DC TO 11000 MHz		OPERATING HUMIDITY RANGE	TO 90% (NO CONDENSATION)			
	PECULIARITY	—		APPLICABLE CABLE	—			
SPECIFICATIONS								
ITEM	TEST METHOD			REQUIREMENTS			QT	AT
CONSTRUCTION								
GENERAL EXAMINATION	VISUALLY AND BY MEASURING INSTRUMENT.			ACCORDING TO DRAWING.			x	x
MARKING	CONFIRMED VISUALLY.						x	x
ELECTRIC CHARACTERISTICS								
CONTACT RESISTANCE	100 mA MAX (DC OR 1000 Hz).			CENTER CONTACT	100 mΩ MAX.		x	x
				OUTER CONTACT	100 mΩ MAX.			
INSULATION RESISTANCE	100 V DC.			1000 MΩ MIN.			x	—
VOLTAGE PROOF	100 V AC FOR 1 min.			NO FLASHOVER OR BREAKDOWN.			x	x
V.S.W.R.	※1	FREQUENCY	DC TO 3.0 GHz	△	1.2 MAX		x	—
		FREQUENCY	3.0 TO 6.0 GHz	△	1.3 MAX			
		FREQUENCY	6.0 TO 11.0 GHz		1.4 MAX			
INSERTION LOSS	※1	FREQUENCY	DC TO 3.0 GHz	△	0.10dB MAX.		x	—
		FREQUENCY	3.0 TO 6.0 GHz	△	0.20dB MAX.			
		FREQUENCY	6.0 TO 11.0 GHz		0.30dB MAX.			
ISOLATION	※2	FREQUENCY	DC TO 3.0 GHz		25 dB MIN.		x	—
		FREQUENCY	3.0 TO 6.0 GHz		20 dB MIN.			
		FREQUENCY	6.0 TO 11.0 GHz		12 dB MIN.			
MECHANICAL CHARACTERISTICS								
MECHANICAL OPERATION	100 TIMES INSERTIONS AND EXTRACTIONS.			1) CONTACT RESISTANCE CENTER CONTACT: 100mΩMAX. OUTER CONTACT: 100mΩMAX.			x	—
VIBRATION	FREQUENCY 10 TO 55 Hz SINGLE AMPLITUDE 0.75 mm OR 98 m/s ² 1 octave/min , 10 CYCLES FOR EACH 3 DIRECTIONS.			1) NO ELECTRICAL DISCONTINUITY OF 1μs.			x	—
				2) CONTACT RESISTANCE CENTER CONTACT: 100mΩMAX. OUTER CONTACT: 100mΩMAX.				
SHOCK	ACCELERATION : 490 m/s ² DURATION : 11 ms , HALF SINE WAVE 3 BOTH AXIAL DIRECTIONS, 3 TIMES EACH			3) NO DAMAGE, CRACK AND LOOSENESS OF PARTS.			x	—
	COUNT	DESCRIPTION OF REVISIONS		DESIGNED	CHECKED	DATE		
△	9	DIS-J-000972		TS. NAKAGAWA	TY. OZAKI	09.05.09		
REMARK				APPROVED	KJ. KAWAMURA	08.11.08		
※1. This spec is only for receptacle . Refer to the spec sheet of each plug regarding the mated condition.				CHECKED	TY. OZAKI	08.11.08		
2. This spec is adapted for any plug. Unless otherwise specified, refer to IEC-60512.				DESIGNED	TS. NAKAGAWA	08.11.07		
				DRAWN	TS. NAKAGAWA	08.11.07		
Note	QT:Qualification Test AT:Assurance Test x:Applicable Test			DRAWING NO.		ELC4-180771-01		
	SPECIFICATION SHEET			PART NO.	MS-180 (20)			
	HIROSE ELECTRIC CO., LTD.			CODE NO.	CL358-0265-7-20		△ 1/2	

参考図：ご確認用。正式には別途納入仕様書をご請求願います。

SPECIFICATIONS					
ITEM	TEST METHOD	REQUIREMENTS	QT	AT	
ENVIRONMENTAL CHARACTERISTICS					
RAPID CHANGE OF TEMPERATURE	TEMPERATURE -55 → 5-35 → +85 → 5-35 °C TIME 30 → 2-3 → 30 → 2-3 min. UNDER 100 CYCLES AND LEAVE IT FOR ONE HOUR OR TWO.	1) CONTACT RESISTANCE CENTER CONTACT: 100mΩMAX. OUTER CONTACT: 100mΩMAX. 2) INSULATION RESISTANCE: 10 MΩ MIN. 3) NO DAMAGE, CRACK AND LOOSENESS OF PARTS.	×	—	
DRY HEAT	EXPOSED AT +85°C, 96h.	1) CONTACT RESISTANCE CENTER CONTACT: 100mΩMAX. OUTER CONTACT: 100mΩMAX. 2) INSULATION RESISTANCE: 10 MΩ MIN. 3) NO DAMAGE, CRACK AND LOOSENESS OF PARTS.	×	—	
COLD	EXPOSED AT -55°C, 96h.	1) CONTACT RESISTANCE CENTER CONTACT: 100mΩMAX. OUTER CONTACT: 100mΩMAX. 2) INSULATION RESISTANCE: 10 MΩ MIN. 3) NO DAMAGE, CRACK AND LOOSENESS OF PARTS.	×	—	
DAMP HEAT (STEADY STATE)	EXPOSED AT +40°C, 90~95%, 96h. THEN LEAVE IT FOR ONE HOUR OR TWO IN THE AMBIENT TEMPERATURE AND HUMIDITY.	1) CONTACT RESISTANCE CENTER CONTACT: 100mΩMAX. OUTER CONTACT: 100mΩMAX. 2) INSULATION RESISTANCE: 10 MΩ MIN. 3) NO DAMAGE, CRACK AND LOOSENESS OF PARTS.	×	—	
RESISTANCE TO SOLDER HEAT	SOLDER TEMPERATURE 260°C FOR IMMERSION DURATION 10 sec .	1) NO DAMAGE, CRACK AND LOOSENESS OF PARTS.	×	—	
Note QT:Qualification Test AT:Assurance Test ×:Applicable Test		DRAWING NO.	ELC4-180771-01		
HRS	SPECIFICATION SHEET		PART NO.	MS-180 (20)	
	HIROSE ELECTRIC CO., LTD.		CODE NO	CL358-0265-7-20	 2/2

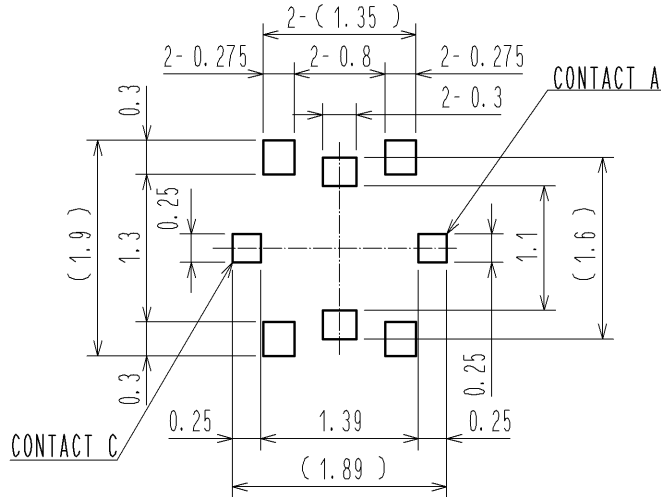


5 SPECIFIED PCB LAYOUT
The dimensional tolerance to be ± 0.05.

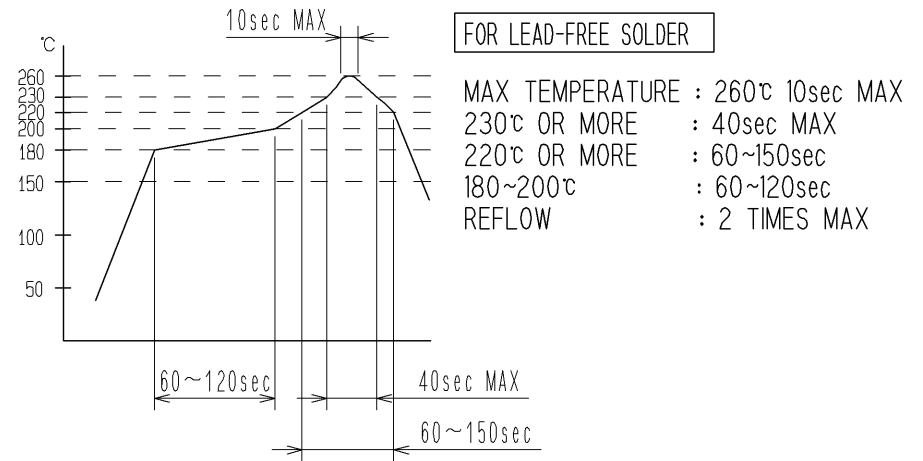


:This area must be free of conductive traces and resist field.

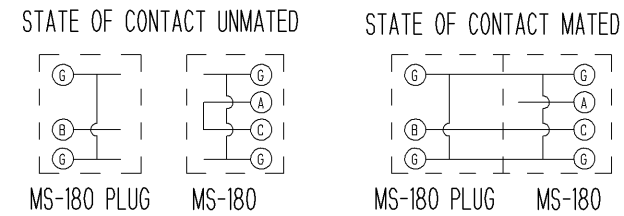
5 SPECIFIED STENCIL PLATE
THICKNESS: 0.1mm
The dimensional tolerance to be ± 0.05.



RECOMMENDED REFLOW TEMPERATURE PROFILE



NOTE 1. Circuit shall be as follows.



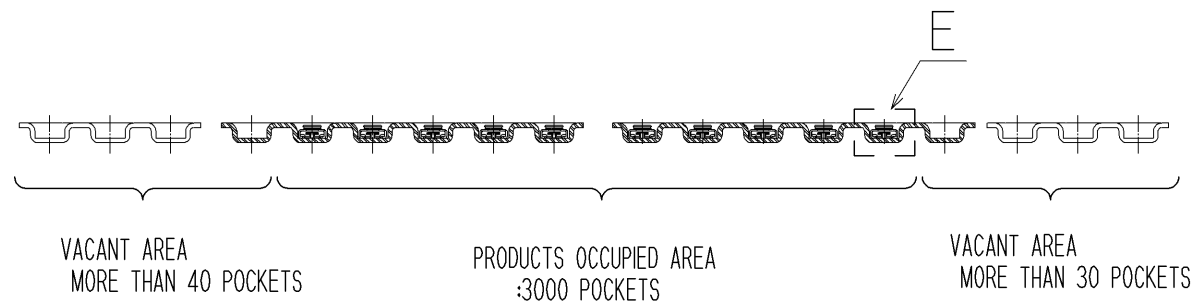
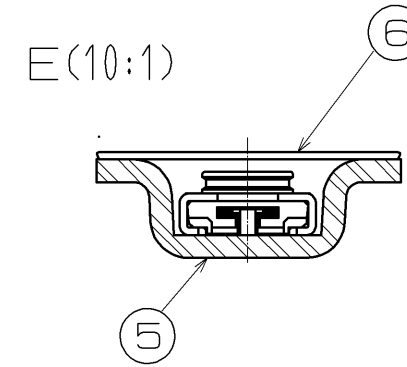
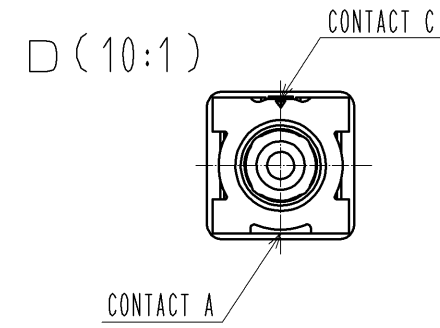
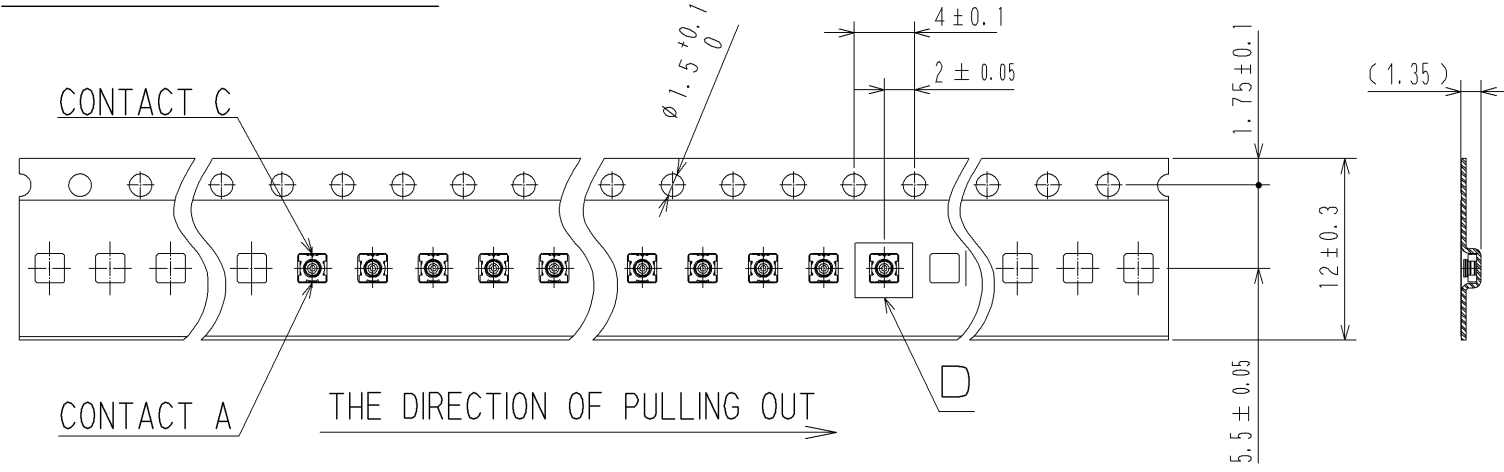
- For use of this product, be sure to put contact area of plug on position P perpendicularly.
- Lead co-planarity is to be 0.08mm MAX.
- Do not use the washing process.
- Please do not change the specified layout of the PCB dimension and the layout of the stencil plate dimension and thickness otherwise could not be responsible for the solderability of the product.
- This product is intended to be used for circuit inspection only. Consult us if any other application is considered.
- Do not use hand soldering for mounting of MS-180.

NO.	MATERIAL	FINISH . REMARKS	NO.	MATERIAL	FINISH . REMARKS
3	CU-NI-SI-ALLOY	SELECTIVE GOLD PLATING	7	PS	
2	LCP-M		6	PS	
1	BRASS	SELECTIVE GOLD PLATING	5	PS	
			4	CU-NI-SI-ALLOY	SELECTIVE GOLD PLATING

UNITS	SCALE	COUNT	DESCRIPTION OF REVISIONS	DESIGNED	CHECKED	DATE
mm	15:1	2	DIS-J-001356	TS. NAKAGAWA	NK. NINOMIYA	11.09.13

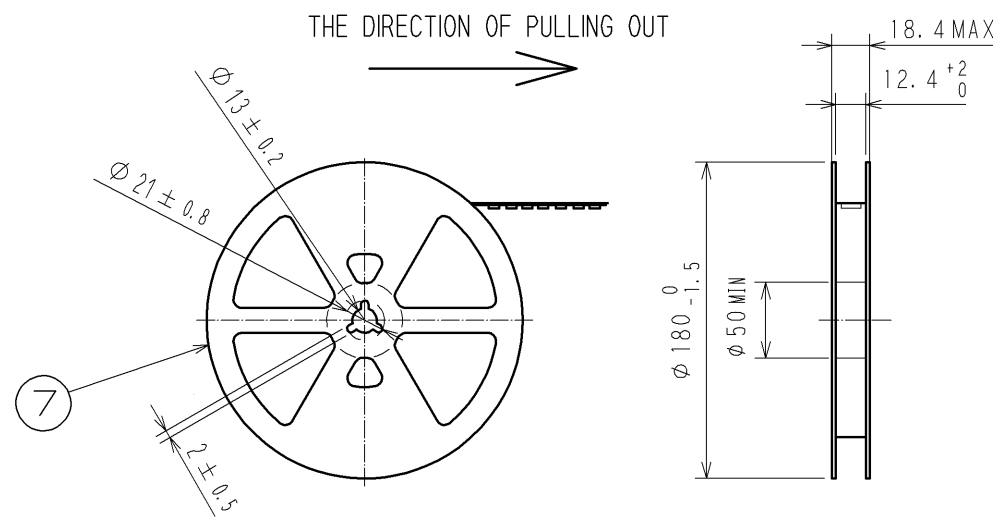
APPROVED	CHECKED	DESIGNED	DRAWN	DRAWING NO.	PART NO.	CODE NO.
KJ. KAWAMURA	TY. OZAKI	TS. NAKAGAWA	TS. NAKAGAWA	EDC3-180771-01	MS-180(20)	CL358-0265-7-20

PACKAGING SPECIFICATION (2:1)

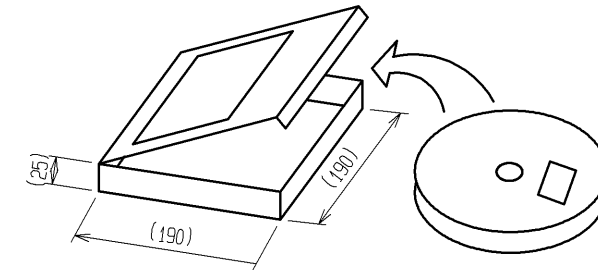


REEL DIMENSIONS(FREE)

3000 PIECES PER REEL



OUTER PACKAGING CASE(FREE)



HRS	DRAWING NO.	EDC3-180771-01		2/2
	PART NO.	MS-180(20)		
	CODE NO.	CL358-0265-7-20		