



Chipsmall Limited consists of a professional team with an average of over 10 year of expertise in the distribution of electronic components. Based in Hongkong, we have already established firm and mutual-benefit business relationships with customers from,Europe,America and south Asia,supplying obsolete and hard-to-find components to meet their specific needs.

With the principle of “Quality Parts,Customers Priority,Honest Operation,and Considerate Service”,our business mainly focus on the distribution of electronic components. Line cards we deal with include Microchip,ALPS,ROHM,Xilinx,Pulse,ON,Everlight and Freescale. Main products comprise IC,Modules,Potentiometer,IC Socket,Relay,Connector.Our parts cover such applications as commercial,industrial, and automotives areas.

We are looking forward to setting up business relationship with you and hope to provide you with the best service and solution. Let us make a better world for our industry!




Contact us

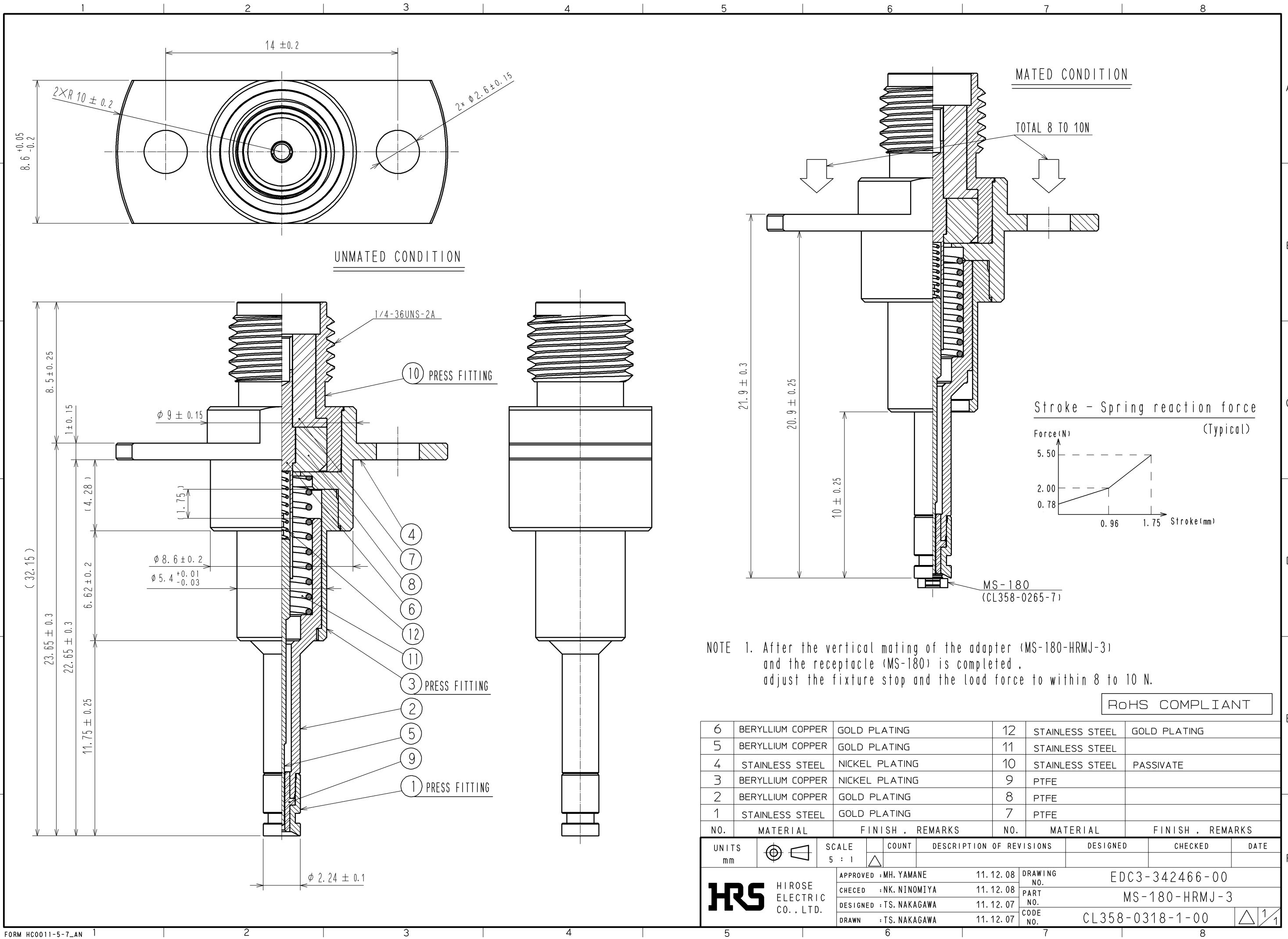
Tel: +86-755-8981 8866 Fax: +86-755-8427 6832

Email & Skype: info@chipsmall.com Web: www.chipsmall.com

Address: A1208, Overseas Decoration Building, #122 Zhenhua RD., Futian, Shenzhen, China



APPLICABLE STANDARD								
RATING	OPERATING TEMPERATURE RANGE	-40°C TO +85°C		STORAGE TEMPERATURE RANGE	-30°C TO +70°C			
	POWER	2 W		CHARACTERISTIC IMPEDANCE	50 Ω			
	FREQUENCY RANGE	0.045 TO 8 GHz		OPERATING HUMIDITY RANGE	TO 90%			
	PECULIARITY	—		APPLICABLE CABLE	—			
SPECIFICATIONS								
ITEM	TEST METHOD			REQUIREMENTS			QT	AT
CONSTRUCTION								
GENERAL EXAMINATION	VISUALLY AND BY MEASURING INSTRUMENT.			ACCORDING TO DRAWING.			x	x
ELECTRIC CHARACTERISTICS								
CONTACT RESISTANCE ※1	100 mA MAX (DC OR 1000 Hz).			CENTER CONTACT	100 mΩ MAX.		x	x
				OUTER CONTACT	100 mΩ MAX.			
INSULATION RESISTANCE	100 V DC.			1000 MΩ MIN.			x	—
VOLTAGE PROOF	100 V AC FOR 1 min.			NO FLASHOVER OR BREAKDOWN.			x	x
V.S.W.R. ※1	FREQUENCY	DC	TO 3.0 GHz	1.3 MAX			x	—
	FREQUENCY	3.0	TO 8.0 GHz	1.4 MAX				
INSERTION LOSS ※1	FREQUENCY	DC	TO 3.0 GHz	0.4 dB MAX.			x	—
	FREQUENCY	3.0	TO 6.0 GHz	0.6 dB MAX.				
	FREQUENCY	6.0	TO 8.0 GHz	0.8 dB MAX.				
ISOLATION	FREQUENCY	TO GHz		dB MIN.			—	—
MECHANICAL CHARACTERISTICS								
MECHANICAL OPERATION	10000 TIMES INSERTIONS AND EXTRACTIONS.			1) ACORDING TO THE V.S.W.R. AND THE INSERTION LOSS SPEC. ABOVE. 2) NO DAMAGE, CRACK AND LOOSENESS OF PARTS.			x	—
VIBRATION	FREQUENCY 10 TO 55 Hz SINGLE AMPLITUDE 0.75 mm OR 98 m/s ² 1 octave/min , 10 CYCLES FOR EACH 3 DIRECTIONS.			1) CONTACT RESISTANCE ※1 CENTER :100mΩ MAX. OUTER :100mΩ MAX.			x	—
SHOCK	ACCELERATION : 490 m/s ² DURATION : 11 ms , HALF SINE WAVE 3 BOTH AXIAL DIRECTIONS, 3 TIMES EACH			2) ACCORDING TO THE VOLTAGE PROOF SPEC. ABOVE. 3) NO DAMAGE, CRACK AND LOOSENESS OF PARTS.				
<div style="border: 1px solid black; padding: 5px; display: inline-block;">RoHS COMPLIANT</div>								
	COUNT	DESCRIPTION OF REVISIONS		DESIGNED		CHECKED		DATE
Q								
REMARK				APPROVED	MH. YAMANE		11. 12. 08	
※1. This specification includes MS-180				CHECKED	NK. NINOMIYA		11. 12. 08	
Unless otherwise specified, refer to IEC-60512.				DESIGNED	TS. NAKAGAWA		11. 12. 06	
				DRAWN	TS. NAKAGAWA		11. 12. 06	
Note QT:Qualification Test AT:Assurance Test x:Applicable Test				DRAWING NO.		ELC4-342466-00		
SPECIFICATION SHEET				PART NO.	MS-180-HRMJ-3			
HIROSE ELECTRIC CO., LTD.				CODE NO.	CL358-0318-1-00			1/1



NOTE 1. After the vertical mating of the adapter (MS-180-HRMJ-3) and the receptacle (MS-180) is completed, adjust the fixture stop and the load force to within 8 to 10 N.

RoHS COMPLIANT

NO.	MATERIAL	FINISH . REMARKS	NO.	MATERIAL	FINISH . REMARKS
6	BERYLLIUM COPPER	GOLD PLATING	12	STAINLESS STEEL	GOLD PLATING
5	BERYLLIUM COPPER	GOLD PLATING	11	STAINLESS STEEL	
4	STAINLESS STEEL	NICKEL PLATING	10	STAINLESS STEEL	PASSIVATE
3	BERYLLIUM COPPER	NICKEL PLATING	9	PTFE	
2	BERYLLIUM COPPER	GOLD PLATING	8	PTFE	
1	STAINLESS STEEL	GOLD PLATING	7	PTFE	

UNITS	SCALE	COUNT	DESCRIPTION OF REVISIONS	DESIGNED	CHECKED	DATE
mm	5 : 1	△				
APPROVED : MH. YAMANE 11.12.08			DRAWING NO. EDC3-342466-00			
CHECKED : NK. NINOMIYA 11.12.08			PART NO. MS-180-HRMJ-3			
DESIGNED : TS. NAKAGAWA 11.12.07			CODE NO. CL358-0318-1-00			
DRAWN : TS. NAKAGAWA 11.12.07			△ 1/1			