



Chipsmall Limited consists of a professional team with an average of over 10 year of expertise in the distribution of electronic components. Based in Hongkong, we have already established firm and mutual-benefit business relationships with customers from,Europe,America and south Asia,supplying obsolete and hard-to-find components to meet their specific needs.

With the principle of “Quality Parts,Customers Priority,Honest Operation,and Considerate Service”,our business mainly focus on the distribution of electronic components. Line cards we deal with include Microchip,ALPS,ROHM,Xilinx,Pulse,ON,Everlight and Freescale. Main products comprise IC,Modules,Potentiometer,IC Socket,Relay,Connector.Our parts cover such applications as commercial,industrial, and automotives areas.

We are looking forward to setting up business relationship with you and hope to provide you with the best service and solution. Let us make a better world for our industry!



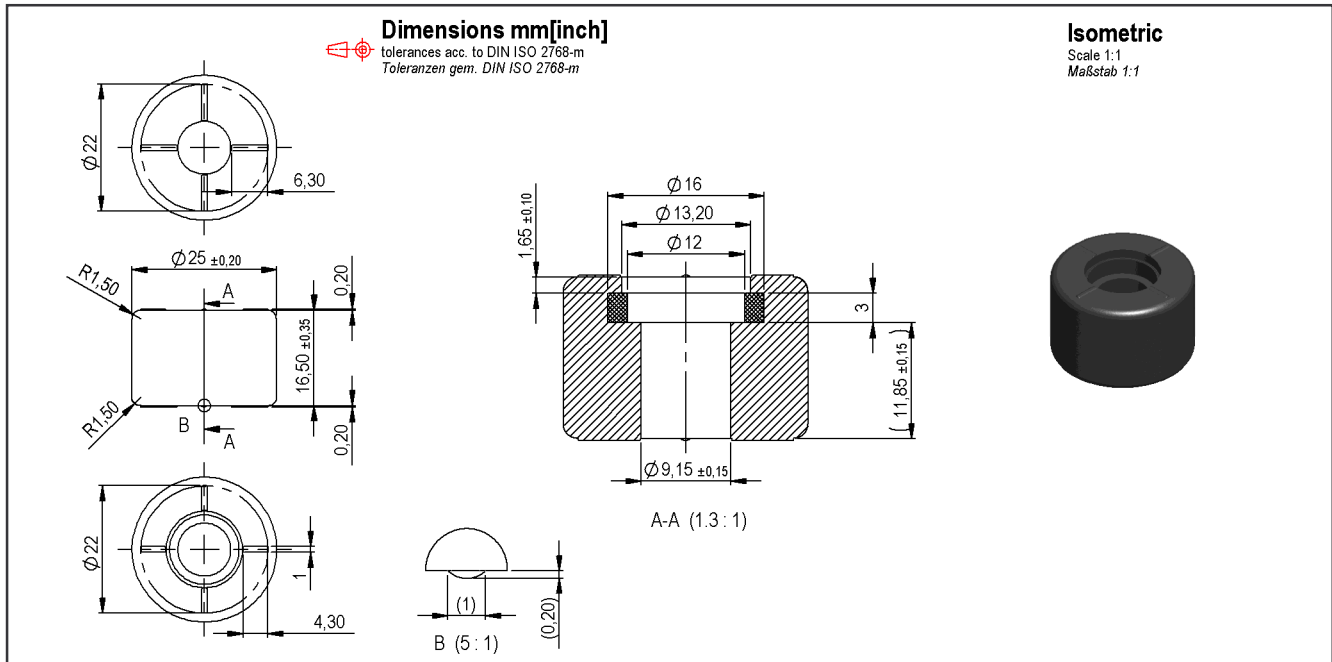
## Contact us

Tel: +86-755-8981 8866 Fax: +86-755-8427 6832

Email & Skype: info@chipsmall.com Web: www.chipsmall.com

Address: A1208, Overseas Decoration Building, #122 Zhenhua RD., Futian, Shenzhen, China





Special Product Data	Conditions	Min	Typ	Max	Unit
Material of float		NBR black			
Float weight		3,9	4,2	4,5	g

Mag. value. DIN IEC 60404-8-	Conditions	Min	Typ	Max	Unit
Energy product (B x H) max.			8,36		kJ/cu m
Remanence Br			230		mT
Coercivity HcB			148		kA/m
Coercivity HcJ			258		kA/m
Magnetic moment	measured with MS150	4,6	5,2	5,8	E-6 Vs*cm
Magnet Material		Hard Ferrit C1			