



Chipsmall Limited consists of a professional team with an average of over 10 year of expertise in the distribution of electronic components. Based in Hongkong, we have already established firm and mutual-benefit business relationships with customers from,Europe,America and south Asia,supplying obsolete and hard-to-find components to meet their specific needs.

With the principle of “Quality Parts,Customers Priority,Honest Operation,and Considerate Service”,our business mainly focus on the distribution of electronic components. Line cards we deal with include Microchip,ALPS,ROHM,Xilinx,Pulse,ON,Everlight and Freescale. Main products comprise IC,Modules,Potentiometer,IC Socket,Relay,Connector.Our parts cover such applications as commercial,industrial, and automotives areas.

We are looking forward to setting up business relationship with you and hope to provide you with the best service and solution. Let us make a better world for our industry!



Contact us

Tel: +86-755-8981 8866 Fax: +86-755-8427 6832

Email & Skype: info@chipsmall.com Web: www.chipsmall.com

Address: A1208, Overseas Decoration Building, #122 Zhenhua RD., Futian, Shenzhen, China



4

3

2

1

D

D

C

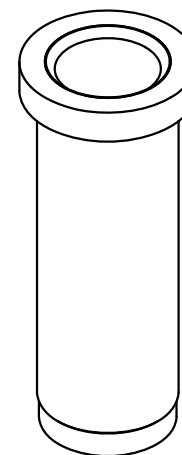
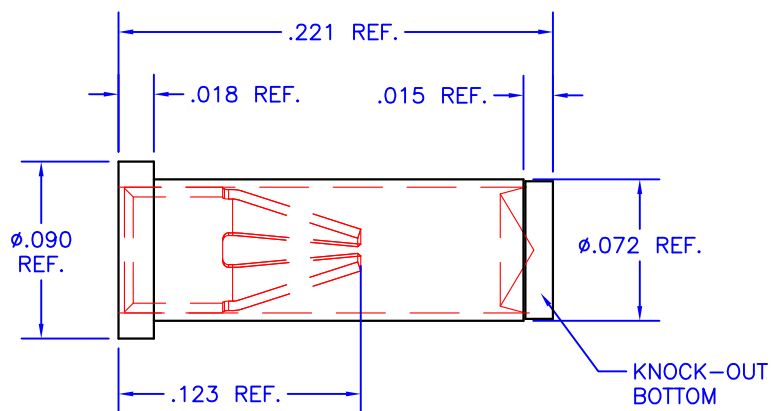
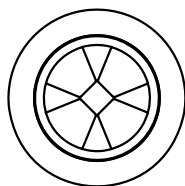
C

B

B

A

A



NOTES:

1. Unless otherwise noted, dimensions are in inches.
2. Shell: 360 brass, half-hard, with 10 μ m gold over nickel
3. Contacts: Beryllium copper with 30 μ m gold over nickel
4. Current rating: 8 amps, for 10°C temperature rise.
5. Solder mount in minimum .075 diameter mounting hole.
6. Mill-Max Part No. 0329-0-15-15-34-27-10-0

TOLERANCES - UNLESS
OTHERWISE SPECIFIED

.XX = $\pm .01$ [.254]
.XXX = $\pm .005$ [.127]
ANG. = $\pm 5^\circ$



TITLE:

PIN RECEPTACLE
FOR .032-.046 DIAMETER PINS

MODEL:

MS02

SUBJECT:

MECHANICAL DRAWING

ENGINEER:

DRAWN BY:

DCA:

SPL:

OF

FILENAME:

REV:

DATE:

D-M

R.MOR

13241

1

1

MS02

D

03JUN13

4

3

2

1