



Chipsmall Limited consists of a professional team with an average of over 10 year of expertise in the distribution of electronic components. Based in Hongkong, we have already established firm and mutual-benefit business relationships with customers from,Europe,America and south Asia,supplying obsolete and hard-to-find components to meet their specific needs.

With the principle of “Quality Parts,Customers Priority,Honest Operation,and Considerate Service”,our business mainly focus on the distribution of electronic components. Line cards we deal with include Microchip,ALPS,ROHM,Xilinx,Pulse,ON,Everlight and Freescale. Main products comprise IC,Modules,Potentiometer,IC Socket,Relay,Connector.Our parts cover such applications as commercial,industrial, and automotives areas.

We are looking forward to setting up business relationship with you and hope to provide you with the best service and solution. Let us make a better world for our industry!



## Contact us

Tel: +86-755-8981 8866 Fax: +86-755-8427 6832

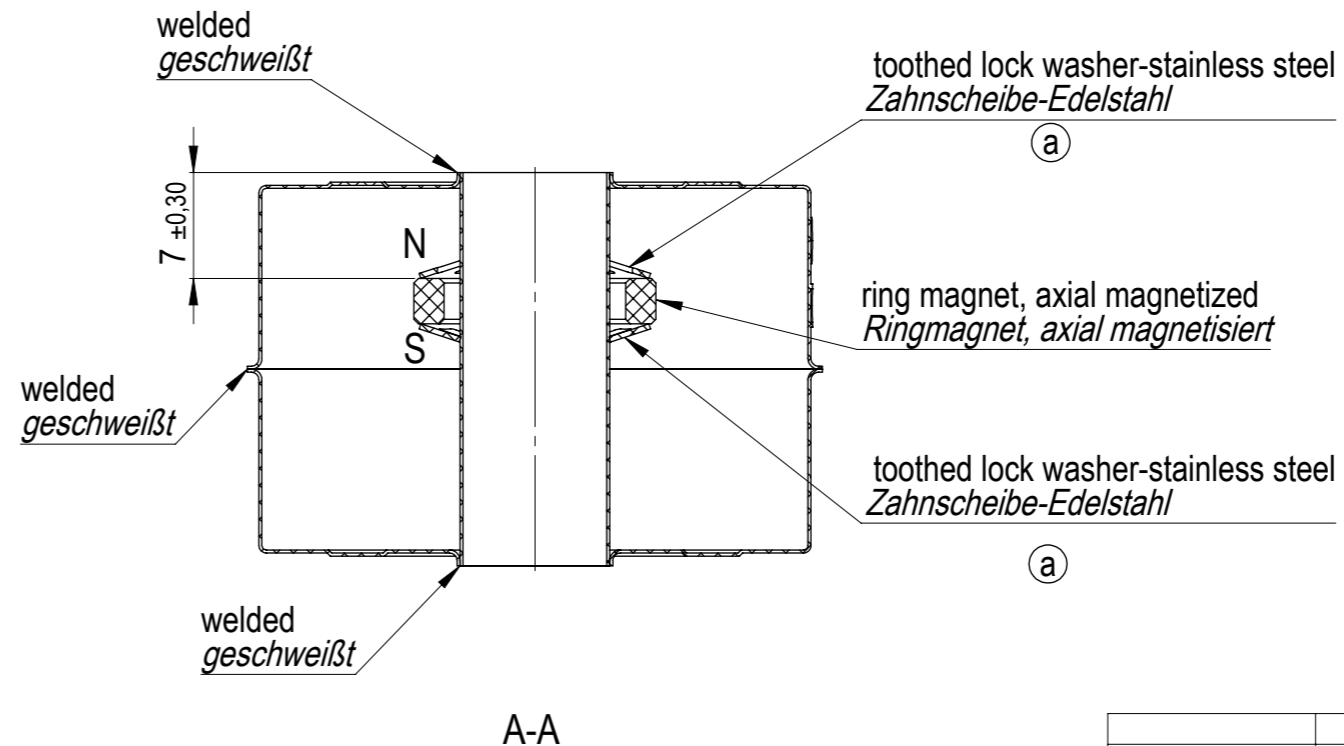
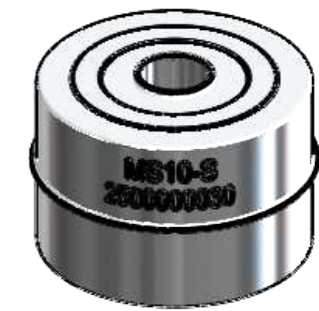
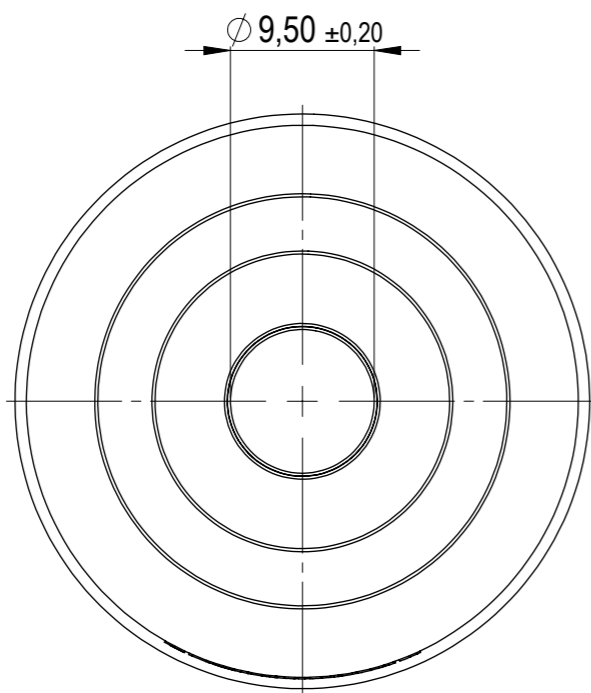
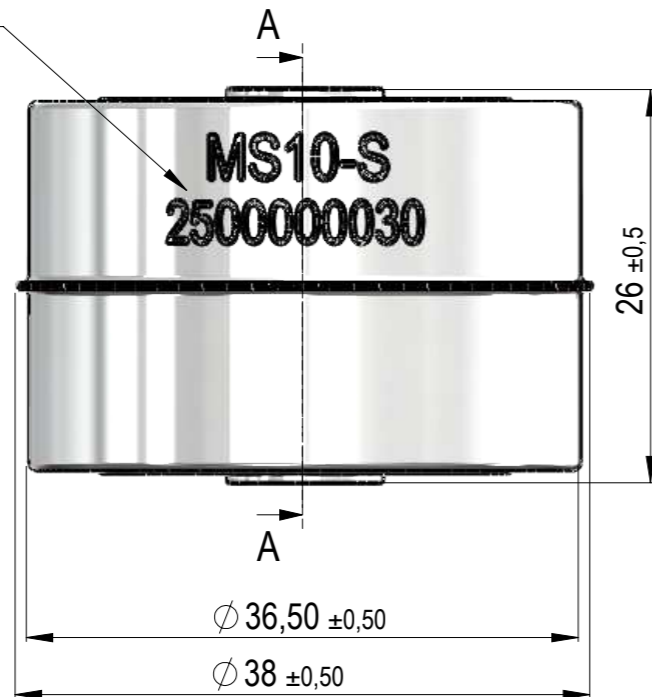
Email & Skype: info@chipsmall.com Web: www.chipsmall.com

Address: A1208, Overseas Decoration Building, #122 Zhenhua RD., Futian, Shenzhen, China



Type and p/n of the float mark also the position of magnet in the float  
 Typ und Artikelnummer des Schwimmers markieren auch die Magnetposition im Schwimmer

marking applied by LASER process  
 Markierung durch LASER-Verfahren angebracht



Float				
Material	Stainless steel AISI 316L (V4A)			
Colour	metallic polish			
Density (delivery status)	N/A			g/cm³
Magnet				
Type	Ring magnet			
Material	Hard ferrite C1			
Density typ.	N/A			g/cm³
Article.No	4003004149			
Magnetic moment (MS150)	Min.	Typ.	Max.	
	4,6	5,2	5,8	µVs*cm
	Floatingmagnet			
Remarks	axial magnetized			
Protection class	N/A			
Overall weight	Min.	Typ.	Max.	
	9,9	10,7	11,5	g
	Overall density	N/A		g/cm³
Recommendation for min. density of the used medium: Overall density of the Floatmagnet +20%				

Application		Tolerance DIN ISO 2768-m	Surface	Scale: 2:1	Weight:	
				Material: ---		
		created: 10.07.2013	wkovacs	<b>MS10-S</b>		
		checked:				
		Sheet size: A3				
		dimensions in: mm				
		<b>StandexMeder Electronics GmbH</b> Robert-Bosch-Str.4 78224 Singen Tel.: +49(0)7731/8399-0 Fax: +49(0)7731/8399-30			Art.Nr./DrawingNr. 2500000030	
01	a	descrip. and materia of toothed washer added (stainless steel)	04.10.2016	w.k	Tool Nr. <a href="http://www.standexmeder.com">www.standexmeder.com</a>	
		issued in swx, previous versions archived in Navision	04.10.2016	w.k.		
Rev.	state	change	date	name	<small>PROPRIETARY AND CONFIDENTIAL          THE INFORMATION CONTAINED IN THIS DRAWING IS THE SOLE PROPERTY OF StandexMeder Electronics GmbH. ANY REPRODUCTION IN PART OR AS A WHOLE WITHOUT THE WRITTEN PERMISSION OF StandexMeder Electronics GmbH IS PROHIBITED.</small>	page 1 of 1