



Chipsmall Limited consists of a professional team with an average of over 10 year of expertise in the distribution of electronic components. Based in Hongkong, we have already established firm and mutual-benefit business relationships with customers from,Europe,America and south Asia,supplying obsolete and hard-to-find components to meet their specific needs.

With the principle of “Quality Parts,Customers Priority,Honest Operation,and Considerate Service”,our business mainly focus on the distribution of electronic components. Line cards we deal with include Microchip,ALPS,ROHM,Xilinx,Pulse,ON,Everlight and Freescale. Main products comprise IC,Modules,Potentiometer,IC Socket,Relay,Connector.Our parts cover such applications as commercial,industrial, and automotives areas.

We are looking forward to setting up business relationship with you and hope to provide you with the best service and solution. Let us make a better world for our industry!



## Contact us

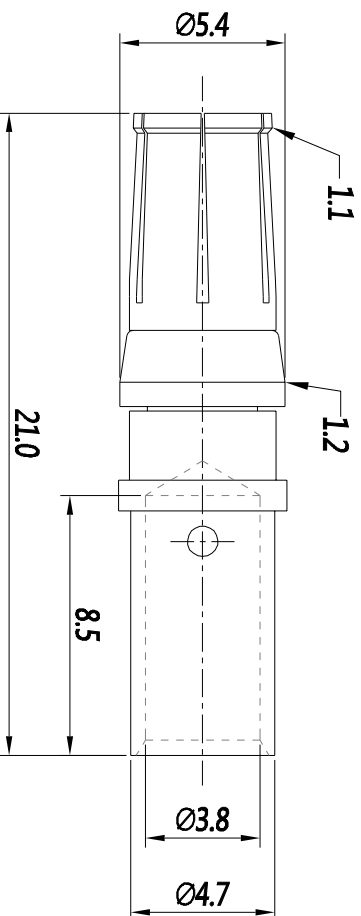
Tel: +86-755-8981 8866 Fax: +86-755-8427 6832

Email & Skype: info@chipsmall.com Web: www.chipsmall.com

Address: A1208, Overseas Decoration Building, #122 Zhenhua RD., Futian, Shenzhen, China



REVISIONS				
REV	ECO	DESCRIPTION	DATE	BY APPR
B1	-	RELEASED DRAWING	JUN-17-2014	BEN TOMMY



P/N	CONTACT PLATING(MATING AREA)
MS10A23T	TIN PLATING OVER NICKEL
MS10A23S	SILVER PLATING OVER NICKEL
MS10A23F	GOLD FLASH PLATING OVER NICKEL
MS10A23G10	10µ" GOLD PLATING OVER NICKEL
MS10A23G15	15µ" GOLD PLATING OVER NICKEL
MS10A23G30	30µ" GOLD PLATING OVER NICKEL

- NOTES : ( UNLESS OTHERWISE SPECIFIED )
- MATERIAL :
    - CONTACT BODY : COPPER ALLOY.
    - POSITIONING CLIP : COPPER ALLOY.
  - SPECIFICATIONS :
    - CURRENT RATING : 45A(MAX).
    - TERMINATION TYPE : CRIMPING.
    - WIRE RANGE : 10~12AWG.
  - SUITABLE SOCKET TYPE : MP10A23xx .
  - ROHS COMPLIANT.
  - ALL DIMENSIONS ARE FOR REFERENCE USE ONLY.

QUANTITY	PART NUMBER	DESCRIPTION	ITER
<b>MATERIALS LIST</b>			
UNLESS OTHERWISE SPECIFIED		SIGNATURES	
1) ALL DIMENSIONS ARE IN MILLIMETERS UNLESS OTHERWISE SPECIFIED.		DRAWN: BBI	DATE: JUN-17-2014
2) TOLERANCES ARE AS SHOWN:		CHECKED:	
1 F, DEC 20 08		ENGINEER:	
3 F, DEC 20 08		APPROVAL:	
3) Note reference =		CUSTOMER:	
MATERIAL SPECIFICATIONS:		THIS DRAWING IS SUPPLIED FOR SPECIFICATION AND PERFORMANCE DATA ONLY. THE MANUFACTURER'S DATA IS THE AUTHORITY FOR ALL DIMENSIONS AND TOLERANCES. ALL DIMENSIONS ARE TO UNLESS OTHERWISE SPECIFIED. ALL DIMENSIONS ARE TO UNLESS OTHERWISE SPECIFIED. ALL DIMENSIONS ARE TO UNLESS OTHERWISE SPECIFIED.	
PROCESS SPECIFICATIONS:		ECO-MATE SOCKET CONTACT, MACHINE, FEMALE CONTACT, 3.6mm	
NEXT ASST:		SCALE: NONE	
		SHEET 1 OF 1	

**Amphenol**

Sine Systems - www.amphenol-sine.com  
44724 Monkey Drive  
Clinton Township, MI 48038