



Chipsmall Limited consists of a professional team with an average of over 10 year of expertise in the distribution of electronic components. Based in Hongkong, we have already established firm and mutual-benefit business relationships with customers from,Europe,America and south Asia,supplying obsolete and hard-to-find components to meet their specific needs.

With the principle of "Quality Parts,Customers Priority,Honest Operation,and Considerate Service",our business mainly focus on the distribution of electronic components. Line cards we deal with include Microchip,ALPS,ROHM,Xilinx,Pulse,ON,Everlight and Freescale. Main products comprise IC,Modules,Potentiometer,IC Socket,Relay,Connector.Our parts cover such applications as commercial,industrial, and automotives areas.

We are looking forward to setting up business relationship with you and hope to provide you with the best service and solution. Let us make a better world for our industry!



Contact us

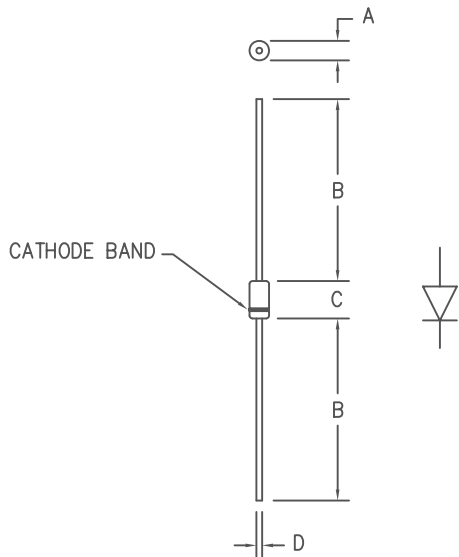
Tel: +86-755-8981 8866 Fax: +86-755-8427 6832

Email & Skype: info@chipsmall.com Web: www.chipsmall.com

Address: A1208, Overseas Decoration Building, #122 Zhenhua RD., Futian, Shenzhen, China



1 Amp Schottky Rectifier MS110



Dim.	Inches		Millimeter		Notes
	Minimum	Maximum	Minimum	Maximum	
A	.081	.107	2.057	2.718	Dia.
B	1.10	---	27.94	---	
C	.160	.205	4.064	5.207	
D	.028	.034	.711	.864	Dia.

PLASTIC D041

Microsemi Catalog Number	Industry Part Number	Working Peak Reverse Voltage	Repetitive Peak Reverse Voltage
MS110	MBR1100 SR1010	100V	100V

- Schottky Barrier Rectifier
- Guard Ring Protection
- 175°C Junction Temperature
- V_{RRM} 100 Volts

Electrical Characteristics			
Average forward current	$I_F(AV)$ 1.0 Amps	TL = 118°C Square wave, $R_{\theta JL}$ = 25°C/W, L = 1/4"	
Maximum surge current	I_{FSM} 50 Amps	8.3ms, half sine, T_J = 175°C	
Max peak forward voltage	V_{FM} .83 Volts	I_{FM} = 1.0A; T_J = 25°C*	
Max peak reverse current	I_{RM} 100 μ A	V_{RRM} , T_J = 25°C	
Typical junction capacitance	C_J 45pF	V_R = 5.0V, T_J = 25°C	
*Pulse test: Pulse width 300 μ sec, Duty cycle 2%			

Thermal and Mechanical Characteristics			
Storage temperature range	T_{STG}	-55°C to 175°C	
Operating junction temp range	T_J	-55°C to 175°C	
Maximum thermal resistance	$R_{\theta JL}$ L = 1/4"	25°C/W Junction to Lead	
Weight		.011 ounces (0.34 grams) typical	

MS110

Figure 1
Typical Forward Characteristics

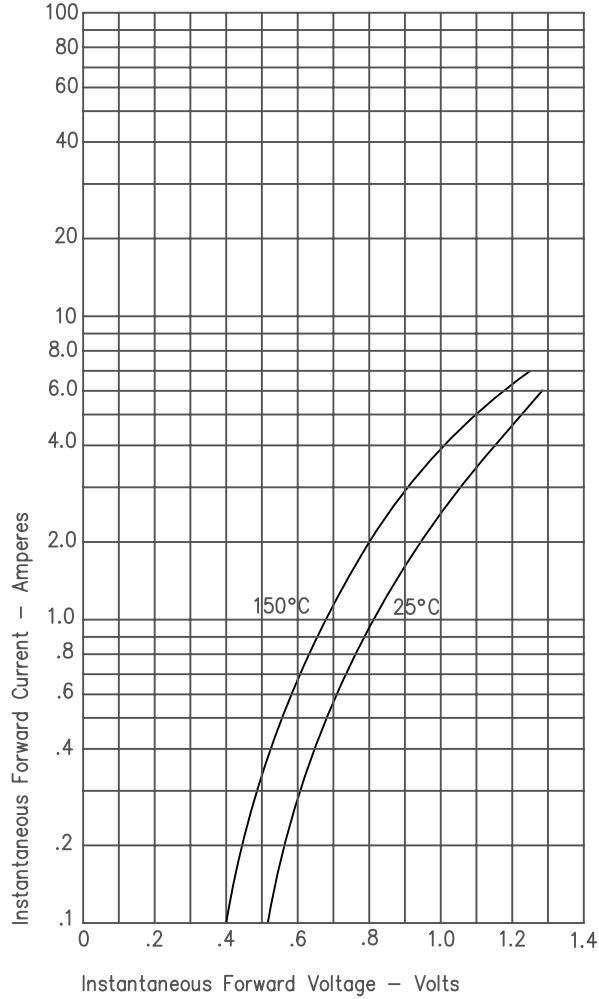


Figure 3
Typical Junction Capacitance

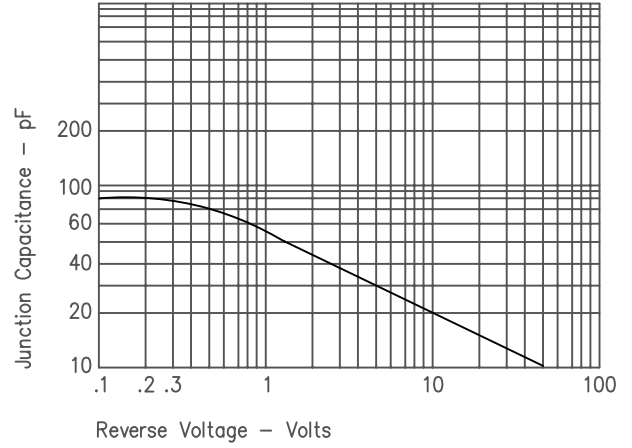


Figure 2
Typical Reverse Characteristics

