



Chipsmall Limited consists of a professional team with an average of over 10 year of expertise in the distribution of electronic components. Based in Hongkong, we have already established firm and mutual-benefit business relationships with customers from,Europe,America and south Asia,supplying obsolete and hard-to-find components to meet their specific needs.

With the principle of “Quality Parts,Customers Priority,Honest Operation,and Considerate Service”,our business mainly focus on the distribution of electronic components. Line cards we deal with include Microchip,ALPS,ROHM,Xilinx,Pulse,ON,Everlight and Freescale. Main products comprise IC,Modules,Potentiometer,IC Socket,Relay,Connector.Our parts cover such applications as commercial,industrial, and automotives areas.

We are looking forward to setting up business relationship with you and hope to provide you with the best service and solution. Let us make a better world for our industry!



Contact us

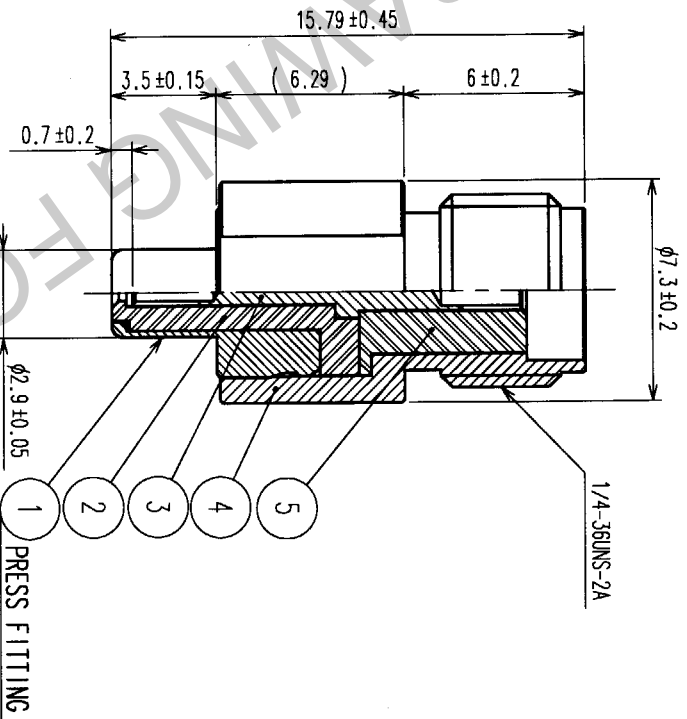
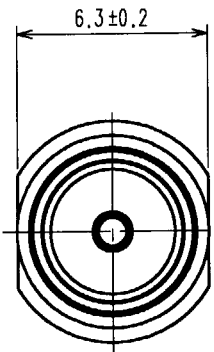
Tel: +86-755-8981 8866 Fax: +86-755-8427 6832

Email & Skype: info@chipsmall.com Web: www.chipsmall.com

Address: A1208, Overseas Decoration Building, #122 Zhenhua RD., Futian, Shenzhen, China



1	2	3	4
COUNT	DESCRIPTION OF REVISIONS	BY	CHKD
DATE	COUNT	DESCRIPTION OF REVISIONS	BY
CHKD	DATE	BY	CHKD



NOTE
1. PLEASE USE THIS AS A INSPECTION PLUG, MATING WITH MS-151-C(LP).

3	BERYLLIUM COPPER	GOLD PLATING	5	PTFE				
2	PTFE		4	STAINLESS STEEL	PASSIVATE			
1	PHOSPHOR BRONZE	NICKEL PLATING						
NO.	MATERIAL	FINISH, REMARKS	NO.	MATERIAL	FINISH, REMARKS			
CODE NO. (OLD) CL								

DRAWN	DESIGNED	CHECKED	APPROVED	RELEASED
<i>[Signature]</i>	<i>[Signature]</i>	<i>[Signature]</i>	<i>[Signature]</i>	
DATE: 04.8.24	DATE: 04.8.24	DATE: 04.8.26	DATE: 04.8.26	

DRAWING NO. EDC4-180214 HRS HIROSE ELECTRIC CO., LTD.	PART NO. MS151J-HRMJ	CODE NO. CL355-0088-4	SCALE 4 : 1 UNITS MM
--	-------------------------	--------------------------	-------------------------------

TO	
RFD	