



Chipsmall Limited consists of a professional team with an average of over 10 year of expertise in the distribution of electronic components. Based in Hongkong, we have already established firm and mutual-benefit business relationships with customers from,Europe,America and south Asia,supplying obsolete and hard-to-find components to meet their specific needs.

With the principle of "Quality Parts,Customers Priority,Honest Operation,and Considerate Service",our business mainly focus on the distribution of electronic components. Line cards we deal with include Microchip,ALPS,ROHM,Xilinx,Pulse,ON,Everlight and Freescale. Main products comprise IC,Modules,Potentiometer,IC Socket,Relay,Connector.Our parts cover such applications as commercial,industrial, and automotives areas.

We are looking forward to setting up business relationship with you and hope to provide you with the best service and solution. Let us make a better world for our industry!



## Contact us

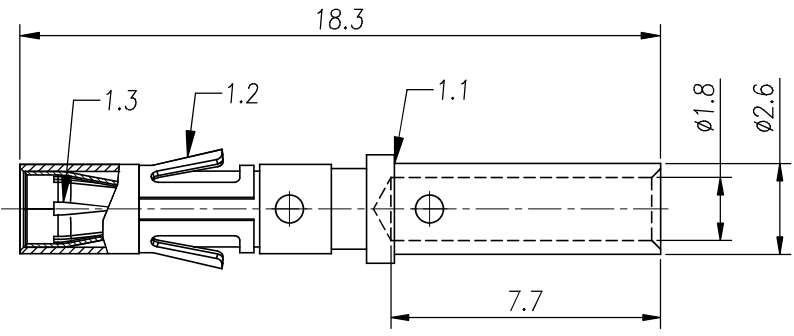
Tel: +86-755-8981 8866 Fax: +86-755-8427 6832

Email & Skype: info@chipsmall.com Web: www.chipsmall.com

Address: A1208, Overseas Decoration Building, #122 Zhenhua RD., Futian, Shenzhen, China



REVISIONS					
REV	ECO	DESCRIPTION	DATE	BY	APPR
B1	-	RELEASED DRAWING	JAN-18-2014	ARROW	TOMMY



- NOTES : ( UNLESS OTHERWISE SPECIFIED )**
- MATERIAL :**
    - CONTACT BODY : COPPER ALLOY.**
    - POSITIONING CLIP : COPPER ALLOY.**
    - CROWN CONTACT : COPPER ALLOY.**
  - SPECIFICATIONS :**
    - CURRENT RATING : 13A(MAX).**
    - TERMINATION TYPE : CRIMPING.**
    - WIRE RANGE : 16~18AWG.**
  - SUITABLE SOCKET TYPE : MP16M23xx.**
  - ROHS COMPLIANT.**
  - ALL DIMENSIONS ARE FOR REFERENCE USE ONLY.**

P/N	CONTACT PLATING(MATING AREA)
MS16M23T	TIN PLATING OVER NICKEL.
MS16M23S	SILVER PLATING OVER NICKEL.
MS16M23F	GOLD FLASH PLATING OVER NICKEL.
MS16M23G10	10μ" GOLD PLATING OVER NICKEL.
MS16M23G15	15μ" GOLD PLATING OVER NICKEL.
MS16M23G30	30μ" GOLD PLATING OVER NICKEL.

QUANTITY	PART NUMBER	DESCRIPTION	ITEM
<b>MATERIALS LIST</b>			
<small>UNLESS OTHERWISE SPECIFIED</small> 1) All dimensions are in metric(mm). 2) Tolerances are as follows: 1 PL DEC ±0.30   Fractions: ±1/64 2 PL DEC ±0.15   Angles ±1° 3 PL DEC ±0.08 3) Note reference =		<b>SIGNATURES</b> DRAWN: ARROW CHECKED: ENGINEER: APPROVAL:	<b>DATE</b> JAN-17-2014
<small>MATERIAL SPECIFICATIONS:</small> CUSTOMER:		 Sine Systems - www.amphenol-sine.com 44724 Morley Drive Clinton Township, MI 48036	
<small>PROCESS SPECIFICATIONS:</small> THIS DRAWING IS SUPPLIED FOR INFORMATION ONLY. DESIGN FEATURES, SPECIFICATIONS AND PERFORMANCE DATA SHOWN HEREON ARE THE PROPERTY OF THE AMPHENOL CORPORATION. NO RIGHTS OF REPRODUCTION ARE IMPLIED. ALL DIMENSIONS ARE SUBJECT TO NORMAL MANUFACTURING VARIATIONS.		<small>SIZE</small> <b>B</b>	<small>TYPE</small> <b>C-</b>
<small>NEXT ASSY:</small>		<small>DWG NO.</small> <b>MS16M23xx</b>	<small>REVISION</small> <b>B1</b>
		<small>SCALE</small> NONE	<small>SHEET</small> 1 <small>OF</small> 1

TITLE: ECO-MATE SOCKET CONTACT MACHINE, 16-18AWG, SIZE 16  
 DWG NO.: MS16M23xx  
 REV: B1  
 SH: 1  
 OF: 1