



Chipsmall Limited consists of a professional team with an average of over 10 year of expertise in the distribution of electronic components. Based in Hongkong, we have already established firm and mutual-benefit business relationships with customers from,Europe,America and south Asia,supplying obsolete and hard-to-find components to meet their specific needs.

With the principle of “Quality Parts,Customers Priority,Honest Operation,and Considerate Service”,our business mainly focus on the distribution of electronic components. Line cards we deal with include Microchip,ALPS,ROHM,Xilinx,Pulse,ON,Everlight and Freescale. Main products comprise IC,Modules,Potentiometer,IC Socket,Relay,Connector.Our parts cover such applications as commercial,industrial, and automotives areas.

We are looking forward to setting up business relationship with you and hope to provide you with the best service and solution. Let us make a better world for our industry!



Contact us

Tel: +86-755-8981 8866 Fax: +86-755-8427 6832

Email & Skype: info@chipsmall.com Web: www.chipsmall.com

Address: A1208, Overseas Decoration Building, #122 Zhenhua RD., Futian, Shenzhen, China



REL	32508-157	WAS	DATE	D'MAN	APP'D
1	33750-55	ADD. NOTE 10 & DATA	1-20-58	HUDOCK	<i>[Signature]</i>
2	35826-2	REV. "C" COLUMN	9-2-59	SIEDSMAN	<i>[Signature]</i>
A1	36200 -27	.188(16M), .250(12) & .500(4) (SOLDER WELL DEPTH); REM SOLDER WELL DATA FOR 16	2-11-60	MARKUSKI	<i>[Signature]</i>
A2	36525 -323	CONNECTOR, ELECTRICAL RECEPTACLE (TITLE); REM PD COL. (B & H THD); REV NOTE 2; ADD NOTE II.	3-16-60	Zachary	<i>[Signature]</i>
A3	38525 -418	REVERSED STAMPING	2-6-62	STANDISH	<i>[Signature]</i>
A4	42525 -40	MIL-C-5015C (NOTE 9)	10-26-63	MILNER	<i>[Signature]</i>
A5	51175-1	REM NOTE 10, REVISION LETTER (C) (2 PLCS)	11-17-69	Conwell	<i>[Signature]</i>
A6	53249 -11	REM F COL. & DATA; ADD. 9-3895 (PRO SPEC); REV STAMPING NOTE	1-5-72	Rendell	<i>[Signature]</i>

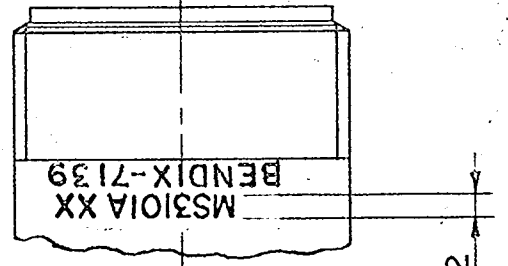
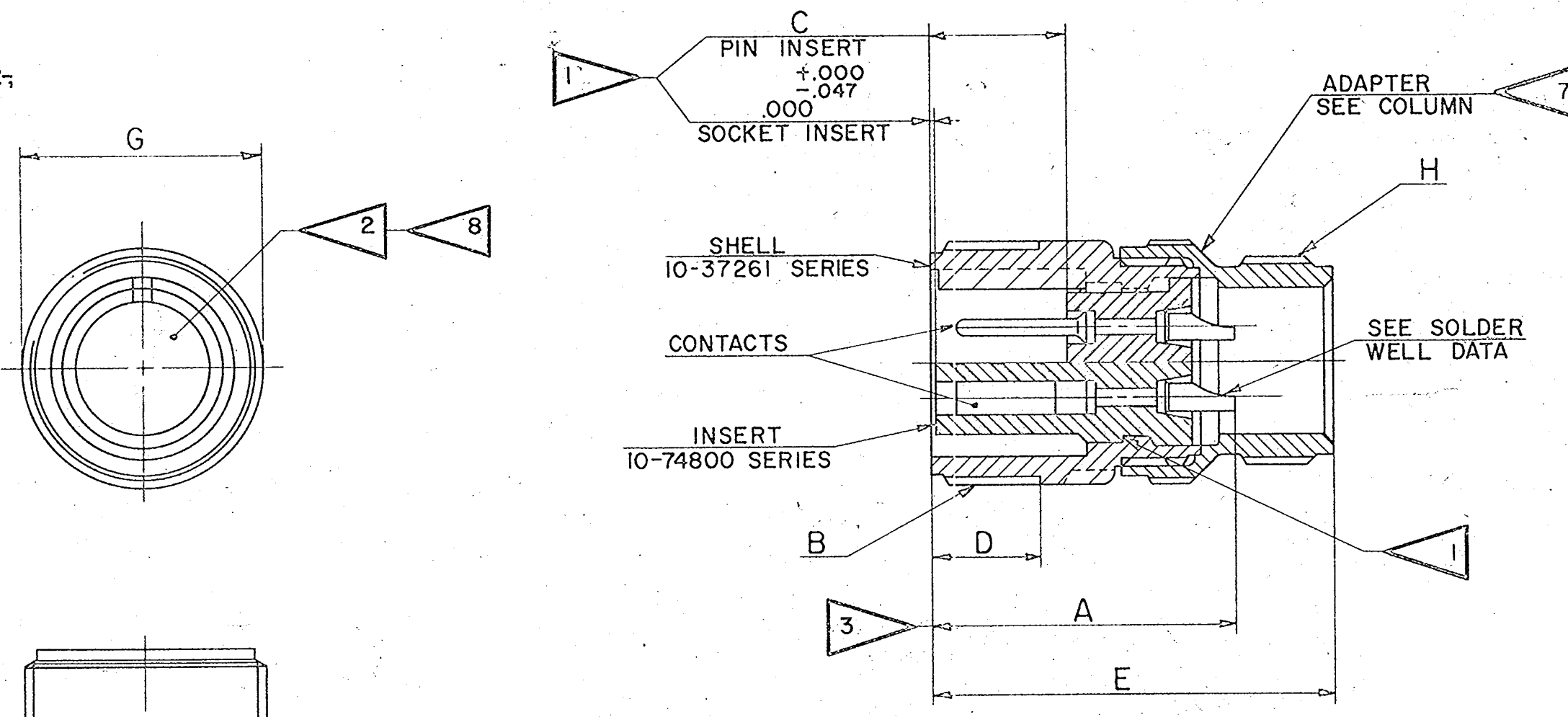
ASSEMBLY NO.	MS NO.	DIMENSIONS						H THREAD (PLATED) CLASS 2A	G DIA MAX	DETAIL ADAPTER	ACCESSORY GROMMET RETAINING NUT
		A ±.040	B THREAD (PLATED) CLASS 2A	C ±.031	D MIN FULL THD	E ±.030					
10-168108	3101 8S	1.094	.5000-28UNEF	.484	.406	1.390	.5000-28UNEF	.532	10-37267-8	10-37269-8	
10-168110	10S		.6250-24NEF		.406	1.468	.5000-28UNEF	.628	-10	-10	
10-168111	10SL		.6250-24NEF		.406		.6250-24NEF	.755	-12	-12	
10-168112	12S		.7500-20UNEF		.422			.755	-12	-12	
10-168113	12	1.532	.7500-20UNEF	.672	.656	1.843		.755	-13	-13	
10-168114	14S	1.094	.8750-20UNEF	.484	.391	1.468	.7500-20UNEF	.882	-14	-14	
10-168115	14	1.532	.8750-20UNEF	.672	.625	1.843	.7500-20UNEF	.882	-15	-15	
10-168116	16S	1.094	1.0000-20UNEF	.484	.391	1.468	.8750-20UNEF	1.010	-16	-16	
10-168117	16	1.532	1.0000-20UNEF	.672	.625	1.843	.8750-20UNEF	1.010	-17	-17	
10-168118	18		1.1250-18NEF			1.938	1.0000-20UNEF	1.137	-18	-18	
10-168120	20		1.2500-18NEF			1.844	1.1875-18NEF	1.264	-20	-20	
10-168122	22		1.3750-18NEF			1.938	1.1875-18NEF	1.392	-22	-22	
10-168124	24		1.5000-18NEF			1.969	1.4375-18NEF	1.519	-24	-24	
10-168128	28		1.7500-18NS			2.188	1.4375-18NEF	1.774	-28	-28	
10-168132	32		2.0000-18NS			2.157	1.7500-18NS	1.996	-32	-32	
10-168136	36		2.2500-16UN			2.219	2.0000-18NS	2.251	-36	-36	
10-168140	40		2.5000-16UN			2.188	2.2500-16UN	2.506	-40	-40	

ACCESSORIES
(NOT PART OF STANDARD ASSEMBLY)

GROMMET 10-40800 SERIES	GROMMET RETAINING NUT SEE TABLE	CABLE CLAMP 10-35900-XX3 SERIES

11. FOR PART NUMBERS 10-168117-13, 10-168118-15, 61- & 62-
SEE INDIVIDUAL DRAWING 10-168117-13, 10-168118-15,
61-00000 & 62-00000.

- 10.
- UNITS ILLUSTRATED MEET THE REQUIREMENTS OF MS3101A PER MIL-C-5015(D).
 - INSERTS AND CONTACTS ARE REMOVABLE.
 - ADAPTER MUST BE REMOVED WHEN GROMMET RETAINING NUT IS USED.
 - SEE DRAWINGS 10-168608 THRU 10-168640 & DRAWINGS 10-168808 THRU 10-168840 FOR REQUIRED MATING PLUG ASSEMBLIES.
 - SEE WORK ORDER FOR PERMISSIBLE ADDITIONAL OR ALTERNATE STAMPING.
 - TO COMPLETE ASSEMBLY NO. & MS NO., ADD APPLICABLE INSERT ARRANGEMENT SUFFIX TO BASE NUMBERS LISTED ABOVE. (FOR ALTERNATE ARRANGEMENTS, REFER TO 9-2437.) TO DETERMINE DESIRED INSERT ARRANGEMENT SEE PARTS LISTS 10-168108 THRU 10-168140.
 - INCREASE A DIMENSION BY .312 FOR SIZE "O" CONTACT ONLY.
 - FOR CONTACT SIZE, SPACING & SERVICE RATING, SEE DRAWINGS MS33680 THRU MS33690.
 - DIMENSIONS MUST BE MAINTAINED WHEN INSERTS ARE PRESSED FIRMLY AGAINST INDICATED SHOULDER.



9 5

STAMP PER 9-2811 "BENDIX", DATE CODE (9-3895) & MS NUMBER
EXAMPLE:
BENDIX-7139
MS3101A20-12S
FOR SUFFIX OTHER THAN "P" OR "S",
STAMP PER 9-2437
(SUFFIX OF MS NO. ONLY)
EXAMPLE:
MS3101A20-12SX
BEN DIX -7139

NOTES: REF SYMBOL

10-168108 THRU
10-168140

USE OF THIS DOCUMENT IS UNLIMITED. DOCUMENTS REFERENCED HEREON CONTAIN LIMITED RIGHTS DATA.

SOLDER WELL DATA					
CONTACT SIZE	0	4	8	12	16M
WELL DIA	.469 \pm .005 -.003	.332 \pm .005 -.003	.209 \pm .004 -.002	.116 \pm .004 -.002	.078 \pm .004 -.002
WELL DEPTH	\pm .031 -.000	.625	.625	.500	.375

MATERIAL SPEC.	PROCESS SPEC. TEST 9-3106-5	SCINTILLA MAGNETO DIVISION BENDIX AMATELCO CORPORATION SIDNEY, N. Y., U.S.A.	
HEAT TREAT SPEC.	ASSY 9-3103-1	NAME CONNECTOR, ELECTRICAL, PLUG, TYPE C () FL	
	9-2811, 9-2437 9-3895	D'MAN RINES (Bilantia)	SCALE NONE
	22569-2 4-25-57	DATE 5-10-57	REF 10-63103/40

TOLERANCES UNLESS OTHERWISE SPECIFIED	
DECIMALS	.010
NEXT ASSEMBLY	SEE PARTS LIST
SUPERSEDES	AND IS NOT INTERCHANGEABLE
SUPERSEDED BY	10-168108 THRU 10-168140