



Chipsmall Limited consists of a professional team with an average of over 10 year of expertise in the distribution of electronic components. Based in Hongkong, we have already established firm and mutual-benefit business relationships with customers from,Europe,America and south Asia,supplying obsolete and hard-to-find components to meet their specific needs.

With the principle of “Quality Parts,Customers Priority,Honest Operation,and Considerate Service”,our business mainly focus on the distribution of electronic components. Line cards we deal with include Microchip,ALPS,ROHM,Xilinx,Pulse,ON,Everlight and Freescale. Main products comprise IC,Modules,Potentiometer,IC Socket,Relay,Connector.Our parts cover such applications as commercial,industrial, and automotives areas.

We are looking forward to setting up business relationship with you and hope to provide you with the best service and solution. Let us make a better world for our industry!



## Contact us

Tel: +86-755-8981 8866 Fax: +86-755-8427 6832

Email & Skype: info@chipsmall.com Web: www.chipsmall.com

Address: A1208, Overseas Decoration Building, #122 Zhenhua RD., Futian, Shenzhen, China



ASSY NO.	MS NO.	DIMENSIONS							
		A ±.040	B THREAD (PLATED) CLASS 2A	C MIN FULL THD	D ±.031	E MAX	F MAX	G THREAD REF CLASS 2	
10-169108-	3101E8S-	1.094	5000-28 UNEF	.406	.484	2.223	.807	6-32 NC	
10-169110-	10S-		6250-24 NEF	.406			.807		
10-169111-	10SL-		6250-24 NEF	.406			.901		
10-169112-	12S-		7500-20 UNEF	.422					
10-169113-	12-	1.532	7500-20 UNEF	.656	.672	2.598			
10-169114-	14S-	1.094	8750-20 UNEF	.391	.484	2.223	1.026		
10-169115-	14-	1.532	8750-20 UNEF	.625	.672	2.598	1.026		
10-169116-	16S-	1.094	10000-20 UNEF	.391	.484	2.223	1.119		
10-169117-	16-	1.532	10000-20 UNEF	.625	.672	2.598	1.119		
10-169118-	18-		1.1250-18 NEF			2.630	1.229		
10-169120-	20-		1.2500-18 NEF			2.740	1.479	8-32 NC	
10-169122-	22-		1.3750-18 NEF			2.740	1.479		
10-169124-	24-		1.5000-18 NEF			2.803	1.666		
10-169128-	28-		1.7500-18 NS			3.019	1.666		
10-169132-	32-		2.0000-18 NS			3.004	2.135	10-32 NF	
10-169136-	36-		2.2500-16 UN			3.222	2.260		
10-169140-	40-		2.5000-16 UN			3.222	2.510		

REV	DATE	BY	APPD
1	32508-157		
1	33750-60	ADD. NOTE 12 & DATA	1-22-58 HUDOCK
2	35826-7	REV "D" COLUMN	9-2-59 SIEDSMAN
3	36235-3	REM ACCESSORY BLOCK; ADD NOTES 6 & 7, REV SOLDER WELL DATA, RENUMBERED NOTES, STANDARDIZED	2-1-60 DONLON
4	36525-328	REM PD COL (B THD); REV NOTE 3, ADD NOTE 8; RENUM NOTES 9/15	3-17-60
5	37985-6	REDESIGN GROMMET FOR 10-169117-12 ARR	2-3-61 HISCOTT
A1	51175-1	(MFG); REM NOTE 15, REVISION LETTER (C) (2 PLACES), (C)	11-7-69 CABLE
A2	53249-10	ADD. 9-3895 (PRO SPEC); REV STAMP NOTES; REM H COL & DATA	1-5-72

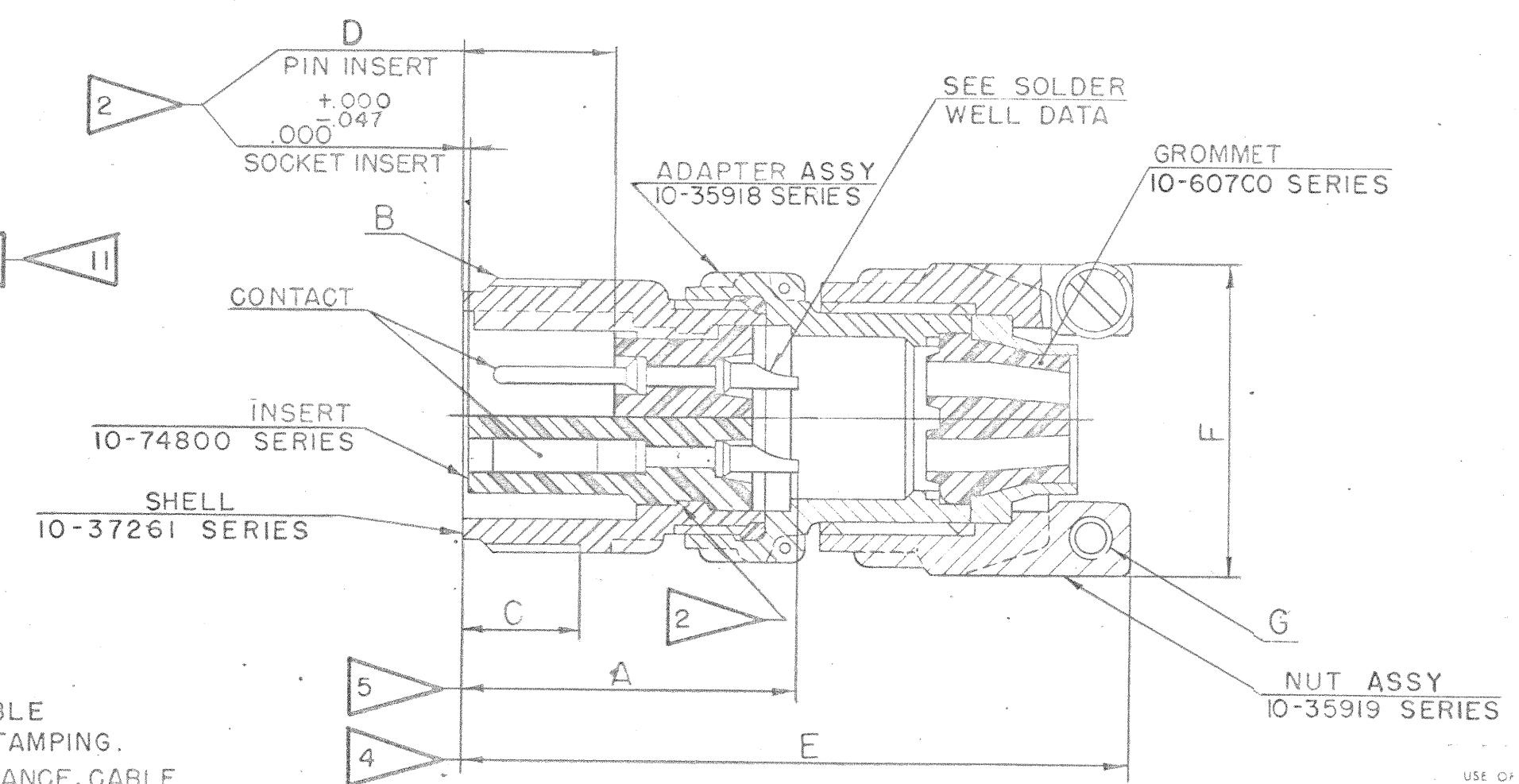
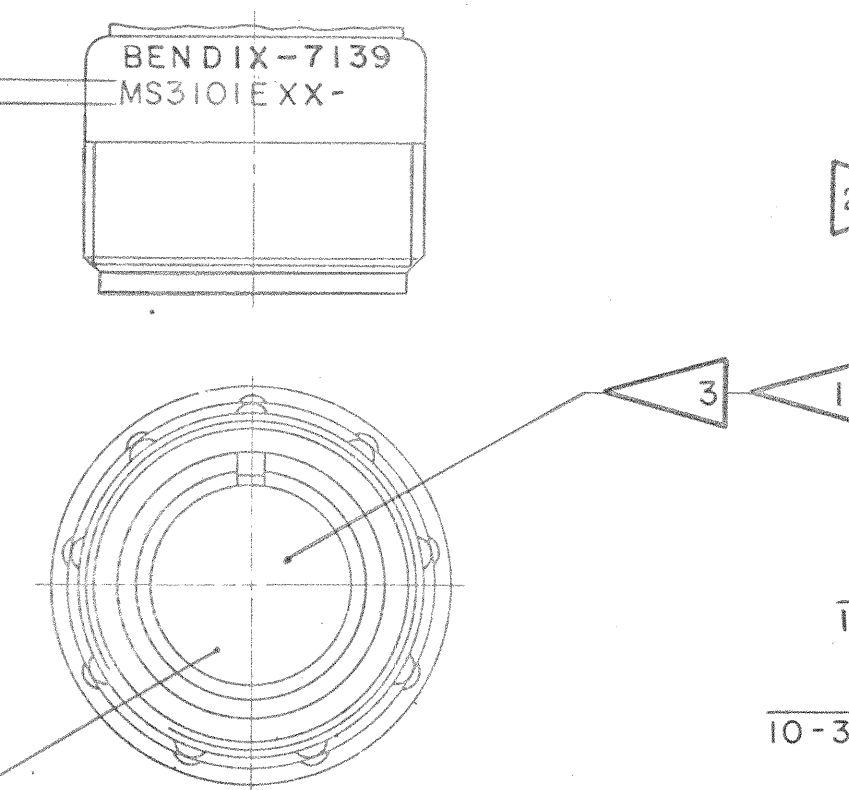
9

14

0.062

BENDIX-7139  
MS3101EXX-

STAMP PER 9-2811 "BENDIX," DATE CODE (9-3895) & MS NUMBER  
EXAMPLE:  
BENDIX-7139  
MS3101E20-12S  
FOR SUFFIX OTHER THAN "P" OR "S,"  
STAMP PER 9-2437  
(SUFFIX OF MS NO. ONLY)  
EXAMPLE:  
MS3101E20-12SX  
BENDIX-7139



10-169108 THRU  
10-169140

8. FOR PART NUMBERS 10-169117-13, 10-169118-15, 61- & 62-, SEE INDIVIDUAL DRAWINGS 10-169117-13, 10-169118-15, 61-00000 & 62-00000.
7. SHIP CONNECTOR, WITH SEALING PLUGS UNASSEMBLED, IN A PLIOFILM BAG.
6. ALL UNUSED GROMMET HOLES MUST BE FILLED WITH SEALING PLUGS.
5. INCREASE A DIMENSION BY .312 FOR SIZE "O" CONTACT ONLY.
4. DIMENSION INDICATES FINAL INSTALLATION FOR STORAGE & SHIPPING, ADAPTER ASSEMBLY & NUT ASSEMBLY MUST BE LOOSELY COUPLED.
3. FOR CONTACT SIZE, SPACING & SERVICE RATING, SEE DRAWING MS33680 THRU MS33690.
2. DIMENSIONS MUST BE MAINTAINED WHEN INSERTS ARE PRESSED FIRMLY AGAINST INDICATED SHOULDER.
1. THE UNITS ILLUSTRATED MEET THE REQUIREMENTS OF MS3101E PER SPEC MIL-C-5015C.

14. SEE WORK ORDER FOR PERMISSIBLE ADDITIONAL OR ALTERNATE STAMPING.
13. FOR OPTIMUM MOISTURE RESISTANCE, CABLE DIAMETERS MUST BE WITHIN 58% OF MAXIMUM FOR EACH CONTACT SIZE. FOR SMALLER CABLES, USE WATERPROOF SLEEVING.
12. SEE DRAWINGS 10-69608 THRU 10-69640 & DRAWINGS 10-69808 THRU 10-69840 FOR REQUIRED MATING PLUG ASSEMBLIES.
11. INSERTS AND CONTACTS ARE REMOVABLE.
10. ALL LOCKWIRE HOLES ARE .045 DIA MIN.
9. TO COMPLETE ASSEMBLY NUMBER & MS NO., ADD APPLICABLE INSERT ARRANGEMENT SUFFIX TO BASE NUMBERS LISTED ABOVE. TO DETERMINE DESIRED INSERT ARRANGEMENT, SEE PARTS LISTS 10-69108 THRU 10-69140.

SOLDER WELL DATA

CONTACT SIZE	0	4	8	12	16M	16
WELL DIA	.469 <sup>+0.005</sup> <sub>-.003</sub>	.332 <sup>+0.005</sup> <sub>-.003</sub>	.209 <sup>+0.004</sup> <sub>-.002</sub>	.116 <sup>+0.004</sup> <sub>-.002</sub>	.078 <sup>+0.004</sup> <sub>-.002</sub>	.078 <sup>+0.004</sup> <sub>-.002</sub>
WELL DEPTH	.625	.625	.500	.375	.188	.250

USE OF THIS DOCUMENT IS UNLIMITED. DOCUMENTS REFERENCED HEREON CONTAIN LIMITED RIGHTS DATA.

TEST  
9-3106-3  
ASSY  
9-3103-2  
SEE NOTE 1  
9-2437, 9-2811  
9-3895

SCINTILLA MAGNETO DIVISION  
BENDIX AVIATION CORPORATION  
BENTON, MISSOURI, U.S.A.

CONNECTOR, ELECTRICAL PLUG,  
TYPE SG( )FL

RINES Balantic  
4-25-57 5-9-57

22569-7

10-169108 THRU  
10-169140

CODE 77620 DWG SIZE C

NOTES: REF SYMBOL