



Chipsmall Limited consists of a professional team with an average of over 10 year of expertise in the distribution of electronic components. Based in Hongkong, we have already established firm and mutual-benefit business relationships with customers from,Europe,America and south Asia,supplying obsolete and hard-to-find components to meet their specific needs.

With the principle of “Quality Parts,Customers Priority,Honest Operation,and Considerate Service”,our business mainly focus on the distribution of electronic components. Line cards we deal with include Microchip,ALPS,ROHM,Xilinx,Pulse,ON,Everlight and Freescale. Main products comprise IC,Modules,Potentiometer,IC Socket,Relay,Connector.Our parts cover such applications as commercial,industrial, and automotives areas.

We are looking forward to setting up business relationship with you and hope to provide you with the best service and solution. Let us make a better world for our industry!



Contact us

Tel: +86-755-8981 8866 Fax: +86-755-8427 6832

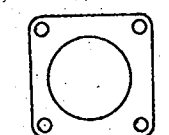
Email & Skype: info@chipsmall.com Web: www.chipsmall.com

Address: A1208, Overseas Decoration Building, #122 Zhenhua RD., Futian, Shenzhen, China

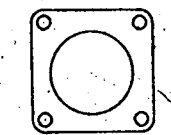


ASSY NO.	MS NO.	DIMENSIONS										
		A +.050 -.060	B THREAD (PLATED) CLASS 2A	C ±.031	D MIN FULL THD	E +.010 -.000	F +.020 -.010	G +.000 -.010	H DIA +.010 -.000	J ±.005	K	L DIA +.004 -.002
10-168208-	3102 8S-	.422	5000-28 UNEF	.484	.391	.562	.672	.297	.375	.594	.875	.120
10-168210-	10S-		.6250-24 NEF						.500	.719	1.000	
10-168211-	10SL-		.6250-24 NEF						.625	.719	1.000	
10-168212-	12S-		.7500-20 UNEF		.450				.625	.812	1.094	
10-168213-	12-	.672	.7500-20 UNEF		.625	.750	.860	.484	.625	.812	1.094	
10-168214-	14S-	.422	.8750-20 UNEF	.484	.450	.562	.672	.297	.750	.906	1.188	
10-168215-	14-	.672	.8750-20 UNEF		.625	.750	.860	.484	.750	.906	1.188	
10-168216-	16S-	.422	1.0000-20 UNEF	.484	.450	.562	.672	.297	.875	.969	1.281	
10-168217-	16-	.672	1.0000-20 UNEF		.625	.750	.860	.484	.875	.969	1.281	
10-168218-	18-	.641	1.1250-18 NEF				.891	.453	1.000	1.062	1.375	
10-168220-	20-		1.2500-18 NEF						1.125	1.156	1.500	
10-168222-	22-		1.3750-18 NEF						1.250	1.250	1.625	
10-168224-	24-	.578	1.5000-18 NEF			.812	.953		1.375	1.375	1.750	.147
10-168228-	28-	.578	1.7500-18 NS			.812	.953		1.625	1.562	2.000	.147
10-168232-	32-	.500	2.0000-18 NS			.875	1.031	.438	1.875	1.750	2.250	.173
10-168236-	36-		2.2500-16 UN						2.062	1.938	2.500	
10-168240-	40-		2.5000-16 UN						2.312	2.188	2.750	

ACCESSORY
(NOT PART OF STANDARD ASSEMBLY)



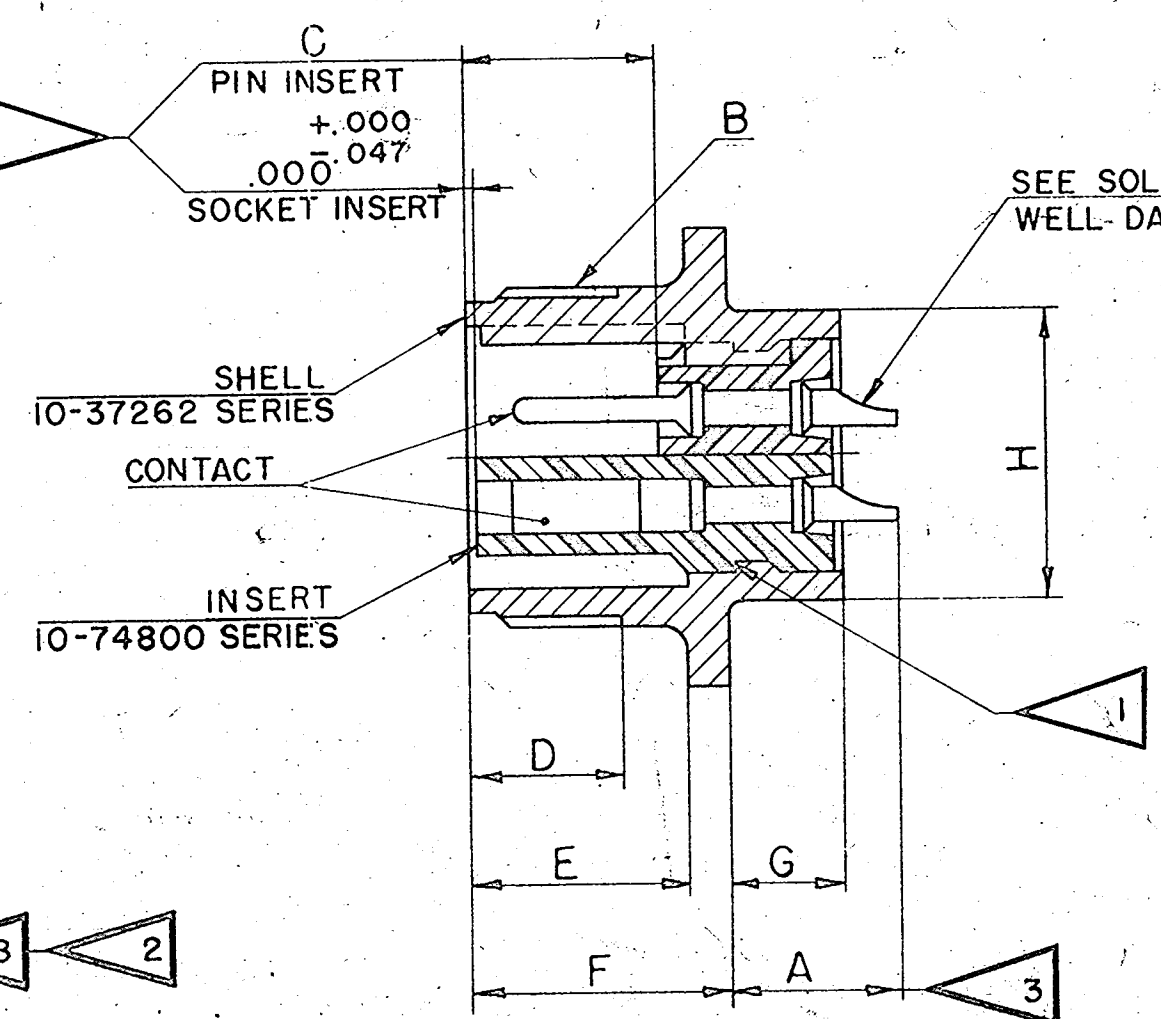
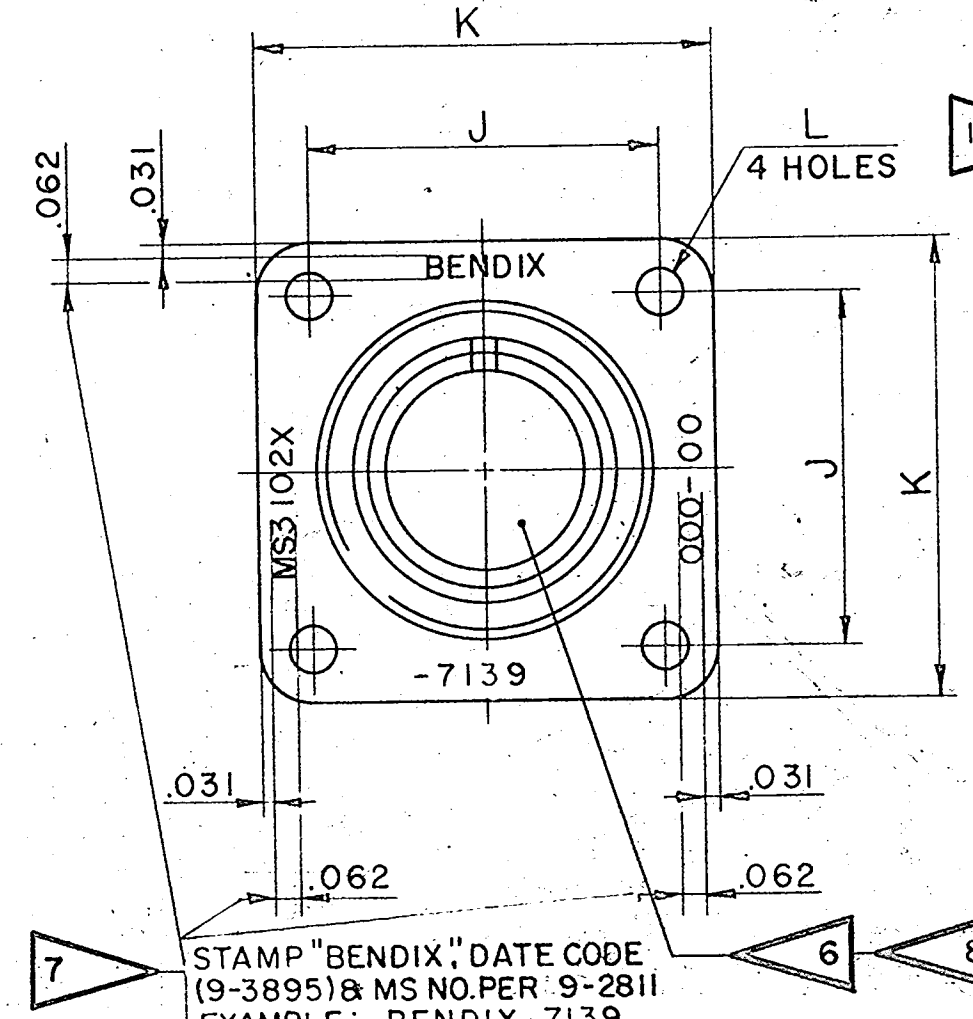
FLANGE GASKET,
PLAIN
10-40450-(SHELL SIZE)



FLANGE GASKET,
SHIELDING
10-40450-(SHELL SIZE) S

REV	DATE	D' MAN	APPRO
1	3-7-56		MOORE
2	3-8-56		REV. "C" COLUMN
A1	3-20-56		188(16M), .250(12) & .500(14) (SOLDER WELL DEPTH); REM SOLDER WELL DATA FOR 16
A2	3-17-60	LALLI	REM PD COL (8 THD); REV NOTE 2; ADD NOTE 10
A3	10-26-63	MILLAR	MIL-C-5015C (NOTES 8 & 6)
A4	11-17-69		REM NOTE 9, REVISION LETTER (C) (3 PLACES)
A5	1-6-72		ADD. 9-3895 (PRO SPEC) REV STAMPING NOTE
A6	3-13-73		REV STAMPING EX (REM (C))

8. ALL 10- & 61-ASSEMBLIES TO BE ASSEMBLED PER 9-3103-1 & TESTED PER 9-3106-5. SUCH UNITS MEET THE REQUIREMENTS OF MS3102A PER MIL-C-5015D. INSERTS & CONTACTS ARE REMOVABLE.
7. SEE WORK ORDER FOR PERMISSIBLE ADDITIONAL OR ALTERNATE STAMPING.
6. ALL 62-ASSEMBLIES TO BE ASSEMBLED PER 9-3238-1 & TESTED PER 9-3106-4, SUCH UNITS MEET THE PERFORMANCE REQUIREMENTS OF MS3102C PER MIL-C-5015D. INSERTS & CONTACTS ARE NOT REMOVABLE.
5. SEE DRAWINGS 10-168608 THRU 10-168640 & DRAWINGS 10-168808 THRU 10-168840 FOR MATING PLUG ASSEMBLIES.
4. TO COMPLETE ASSEMBLY NUMBER & MS NO., ADD APPLICABLE INSERT ARRANGEMENT SUFFIX TO BASE NUMBERS LISTED ABOVE (FOR ALTERNATE ARRANGEMENTS, REFER TO 9-2437). TO DETERMINE DESIRED INSERT ARRANGEMENT, SEE PARTS LIST 10-168208 THRU 10-168240.
3. INCREASE A, DIMENSION BY .312 FOR SIZE "O" CONTACT ONLY.
2. FOR CONTACT SIZE, SPACING & SERVICE RATING, SEE DRAWINGS MS33680 THRU MS33690.
1. DIMENSIONS MUST BE MAINTAINED WHEN INSERTS ARE PRESSED FIRMLY AGAINST INDICATED SHOULDER.



STAMP "BENDIX," DATE CODE (9-3895) & MS NO. PER 9-2811
EXAMPLE: BENDIX -7139
MS3102C20-12S OR MS3102A20-12S
FOR SUFFIX OTHER THAN "P" OR "S",
STAMPING TO BE IN ACCORDANCE WITH
9-2437 (SUFFIX OF MS NO. ONLY)
EXAMPLE: MS3102A20-12SX
BENDIX -7139

10-168208 THRU
10-168240

SOLDER WELL DATA					
CONTACT SIZE	0	4	8	12	16M
WELL DIA	469 ⁺⁰⁰⁵ ₋₀₀₃	332 ⁺⁰⁰⁵ ₋₀₀₃	209 ⁺⁰⁰⁴ ₋₀₀₂	116 ⁺⁰⁰⁴ ₋₀₀₂	078 ⁺⁰⁰⁴ ₋₀₀₂
WELL DEPTH	625	625	500	375	250

SGINTILLA MAGNETO DIVISION
CONNECTOR, ELECTRICAL RECEPTACLE,
TYPE (C) (FB)

D' MAN	CHECKER	MAT	ST'DS	CH' D' MAN	APPROVED	SCALE
S. GREER	Balawin					NONE
4-24-57	8-9-57					

TEST: 9-3106-5, 9-3106-4, 9-3103-1, 9-3238-1, 9-2437, 9-2811, 9-3895

SEE NOTES 6, 7

USE OF THIS DOCUMENT IS UNLIMITED. DOCUMENTS REFERENCED HEREON CONTAIN LIMITED RIGHTS DATA.

TOLERANCES, UNLESS OTHERWISE SPECIFIED, ARE IN DECIMALS OF AN INCH.

10-168208 THRU
10-168240

NOTES: REF SYMBOL

10. FOR PART NUMBERS 10-168217-13, 10-168218-15, 61- & 62-, SEE INDIVIDUAL DRAWINGS 10-168217-13, 10-168218-15, 61-00000 & 62-00000.