



Chipsmall Limited consists of a professional team with an average of over 10 year of expertise in the distribution of electronic components. Based in Hongkong, we have already established firm and mutual-benefit business relationships with customers from,Europe,America and south Asia,supplying obsolete and hard-to-find components to meet their specific needs.

With the principle of “Quality Parts,Customers Priority,Honest Operation,and Considerate Service”,our business mainly focus on the distribution of electronic components. Line cards we deal with include Microchip,ALPS,ROHM,Xilinx,Pulse,ON,Everlight and Freescale. Main products comprise IC,Modules,Potentiometer,IC Socket,Relay,Connector.Our parts cover such applications as commercial,industrial, and automotives areas.

We are looking forward to setting up business relationship with you and hope to provide you with the best service and solution. Let us make a better world for our industry!



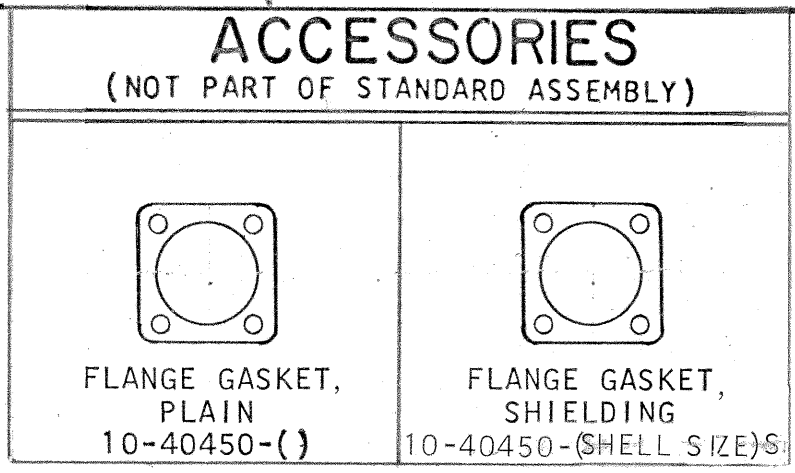
Contact us

Tel: +86-755-8981 8866 Fax: +86-755-8427 6832

Email & Skype: info@chipsmall.com Web: www.chipsmall.com

Address: A1208, Overseas Decoration Building, #122 Zhenhua RD., Futian, Shenzhen, China



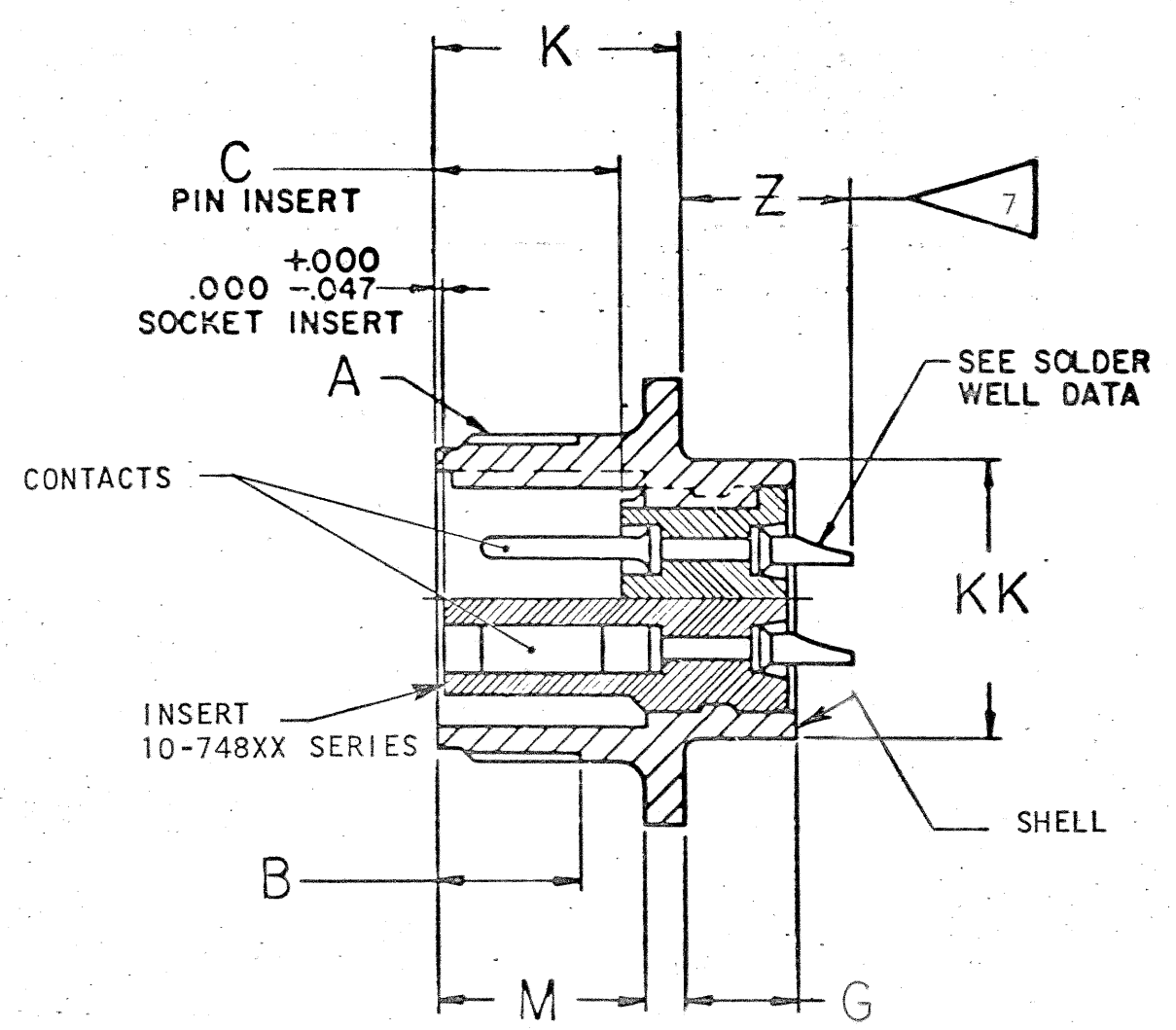
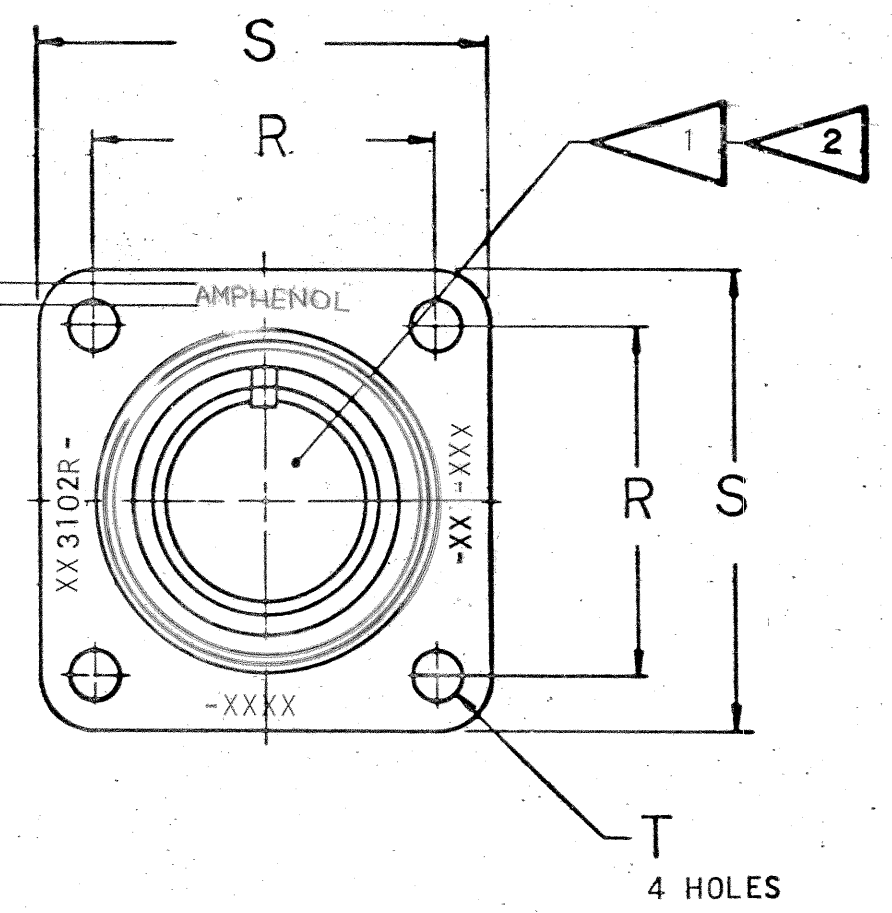


35508-462

REVISIONS		DATE	APPROVED
ZONE	LTR	DESCRIPTION	
	A8	REDRAWN SAME SIZE; REVISED & STANDARDIZED (SEE CHANGE NOTICE) ECN: 55525-42	11-30-72 LAMBRECHT
	A9	WAS 11SL (MS OR SM COL) ECN: 55525-119	2-4-74 SHEPLER
	B	(MFG); ADD. 9-3895 (PROCESS SPEC); REV STAMPING NOTE ECN 57216-4	12.22.75 Rudul Hayes
	C	(MFG); REV STAMPING NOTE 9 ECN 57738-3	5-19-76 BWIKER
	D	(CL II) SEE ECN 91396	8/19/02 Thaddean

STAMP "AMPHENOL" & SM NO. PER 9-2811
EXAMPLE:
AMPHENOL SM3102R-18-54P

OR
STAMP "AMPHENOL" & DATE CODE (9-3895) & MS NO. PER 9-2811
EXAMPLE:
AMPHENOL-7539 JMS3102R-18-1P



CONTACT DATA (WHERE APPLICABLE)				
THERMOCOUPLE		COAXIAL		
MATERIAL	IDENTIFICATION	ARR	CABLE	Z ₁ DIM MAX
CHROMEL	WHITE			
ALUMEL	GREEN			
IRON	BLACK			
CONSTANTAN	YELLOW			

INSERT ARRANGEMENTS CONTAINING THERMOCOUPLE OR COAXIAL CONTACTS MUST HAVE SUCH CONTACTS ASSEMBLED INTO THE INSERT IN PROPER LOCATIONS AS SPECIFIED BY APPLICABLE DWG L-11908-() THRU L-11948-().

STANDARD SOLDER WELL DATA						SPECIAL SOLDER WELL DATA			THERMOCOUPLE	
CONTACT SIZE	0	4	8	12	16	8 FOR NO. 6 WIRE	12 FOR NO. 10 WIRE	16 FOR NO. 12 WIRE	12	16
WELL DIA	.469 ^{+.005} _{-.003}	.332 ^{+.005} _{-.003}	.209 ^{+.004} _{-.002}	.116 ^{+.004} _{-.002}	.078 ^{+.004} _{-.002}	.250±.003	.152 ^{+.004} _{-.002}	.109 ^{+.004} _{-.001}	.125 ^{+.004} _{-.002}	.094 ^{+.004} _{-.002}
WELL DEPTH	.625	.625	.500	.375	.250	.500	.250	.188	.250	.188

FIND NO.	QTY REQD	CODE IDENT	PART NUMBER	DESCRIPTION	NOTE REF
PARTS LIST					
UNLESS OTHERWISE SPECIFIED LINEAR DIMENSIONS ARE IN INCHES. TOLERANCES: .XXX ± .010, .XX ± .03, .X ± .1, ANGLES ± 2°. OTHER STANDARDS PER 9-3800 AND MIL-D-1000. NOTE REF			SIGNATURES	DATES	The Bendix Corporation Electrical Components Division Sidney, New York
MATERIAL SPEC PROCESS SPEC TEST 9-3106-1 ASSY 9-3238-1 9-2437 9-2811 9-3895			PREPARED JOYCE	9/25/58	
			CHECKED <i>Whist</i>	10-2-73	
			APPROVED <i>C. Shepler</i>	12-7-72	
			APPROVED <i>Wm. Ramsey</i>	10-4-73	
TITLE: CONNECTOR, ELECTRICAL RECEPTACLE, TYPE MS-R, SM-R () FB					
SCALE		NONE		SEE PARTS LIST	REF 0-131208/50

SEE SHEET 2
NOTES:

10-190208/50

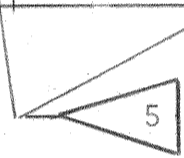
4

3

2

1

ASSEMBLY NUMBER	9 10 MS OR SM NO:		SHELL	A THREAD (PLATED) CLASS 2A	B MIN FULL THD	C ±.031	G +.000 -.010	K +.020 -.010	M +.010 -.000	R ±.005	S	T DIA +.004 -.002	Z MAX	KK DIA +.010 -.000
10-190208	3102R	8S	10-37262-8	.500-28 UNEF	.391	.484	.297	.672	.562	.594	.875	.120	.472	.375
10-190210	-10S	-	-10	.625-24 UNEF						.719	1.000			.500
10-190211	-10SL	-	-11	.625-24 UNEF						.719	1.000			.625
10-190212	-12S	-	-12	.750-20 UNEF	.450					.812	1.094			
10-190213	-12	-	-13	.750-20 UNEF	.625	.672	.484	.860	.750	.812	1.094		.722	
10-190214	-14S	-	-14	.875-20 UNEF	.450	.484	.297	.672	.562	.906	1.188		.472	.750
10-190215	-14	-	-15	.875-20 UNEF	.625	.672	.484	.860	.750	.906	1.188		.722	.750
10-190216	-16S	-	-16	1.000-20 UNEF	.450	.484	.297	.672	.562	.969	1.281		.472	.875
10-190217	-16	-	-17	1.000-20 UNEF	.625	.672	.484	.860	.750	.969	1.281		.722	.875
10-190218	-18	-	-18	1.125-18 UNEF			.453	.891		1.062	1.375		.691	1.000
10-190220	-20	-	-20	1.250-18 UNEF						1.156	1.500			1.125
10-190222	-22	-	-22	1.375-18 UNEF						1.250	1.625			1.250
10-190224	-24	-	-24	1.500-18 UNEF				.953	.812	1.375	1.750	.147	.628	1.375
10-190228	-28	-	-28	1.750-18 UNS				.953	.812	1.562	2.000	.147	.628	1.625
10-190232	-32	-	-32	2.000-18 UNS			.438	1.031	.875	1.750	2.250	.173	.550	1.875
10-190236	-36	-	-36	2.250-16 UN			.438			1.938	2.500			2.062
10-190240	-40	-	-40	2.500-16 UN			.438			2.188	2.750			2.312
10-190241/50			NOT AVAILABLE											



8. UNITS ILLUSTRATED MEET THE MATERIAL & FINISH REQUIREMENTS OF MIL-C-5015.
7. INCREASE "Z" DIMENSION BY .312 FOR SIZE "0" CONTACT ONLY.
6. FOR COMPONENT PART NUMBERS, QUANTITIES AND RELEASE STATUS OF THE DESIRED UNIT, SEE SEPARATE PARTS LIST.
5. TO COMPLETE ASSEMBLY NUMBER, SM NO., OR MS NO., ADD APPLICABLE INSERT ARRANGEMENT SUFFIX TO BASE NUMBERS LISTED ABOVE. (FOR ALTERNATE ARRANGEMENTS, REFER TO 9-2437).
4. FOR MATING PLUG ASSEMBLIES, SEE DRAWING 10-190608 THRU 10-190650 & OTHERS.
3. SEE WORK ORDER FOR PERMISSIBLE ADDITIONAL OR ALTERNATE STAMPING.
2. INSERTS AND CONTACTS ARE NOT REMOVABLE.
1. FOR CONTACT SIZE, SPACING & SERVICE RATING, SEE DRAWINGS MS33680 THRU MS33693 & L-11908-() THRU L-11948-().

10. CONNECTOR ASSEMBLIES 10-190208-50/-99 THRU 10-190250-50/-99, EXCEPT THOSE LISTED IN NOTE 9, ARE STAMPED WITH SM NO.
9. CONNECTOR ASSEMBLIES 10-190208-1/-49 THRU 10-190250-1/-49 AND 10-190236-52, 10-190240-56 AND 10-190240-62 ARE STAMPED WITH MS NO.

NOTES:

SIZE	CODE IDENT NO.	10-190208 THRU
C	77820	10-190250

REV SYM	A8	A9	B	C	D							SCALE	WT	REF	SHEET 2
---------	----	----	---	---	---	--	--	--	--	--	--	-------	----	-----	---------

10-190208/50

A

TAB.