



Chipsmall Limited consists of a professional team with an average of over 10 year of expertise in the distribution of electronic components. Based in Hongkong, we have already established firm and mutual-benefit business relationships with customers from,Europe,America and south Asia,supplying obsolete and hard-to-find components to meet their specific needs.

With the principle of "Quality Parts,Customers Priority,Honest Operation,and Considerate Service",our business mainly focus on the distribution of electronic components. Line cards we deal with include Microchip,ALPS,ROHM,Xilinx,Pulse,ON,Everlight and Freescale. Main products comprise IC,Modules,Potentiometer,IC Socket,Relay,Connector.Our parts cover such applications as commercial,industrial, and automotives areas.

We are looking forward to setting up business relationship with you and hope to provide you with the best service and solution. Let us make a better world for our industry!



Contact us

Tel: +86-755-8981 8866 Fax: +86-755-8427 6832

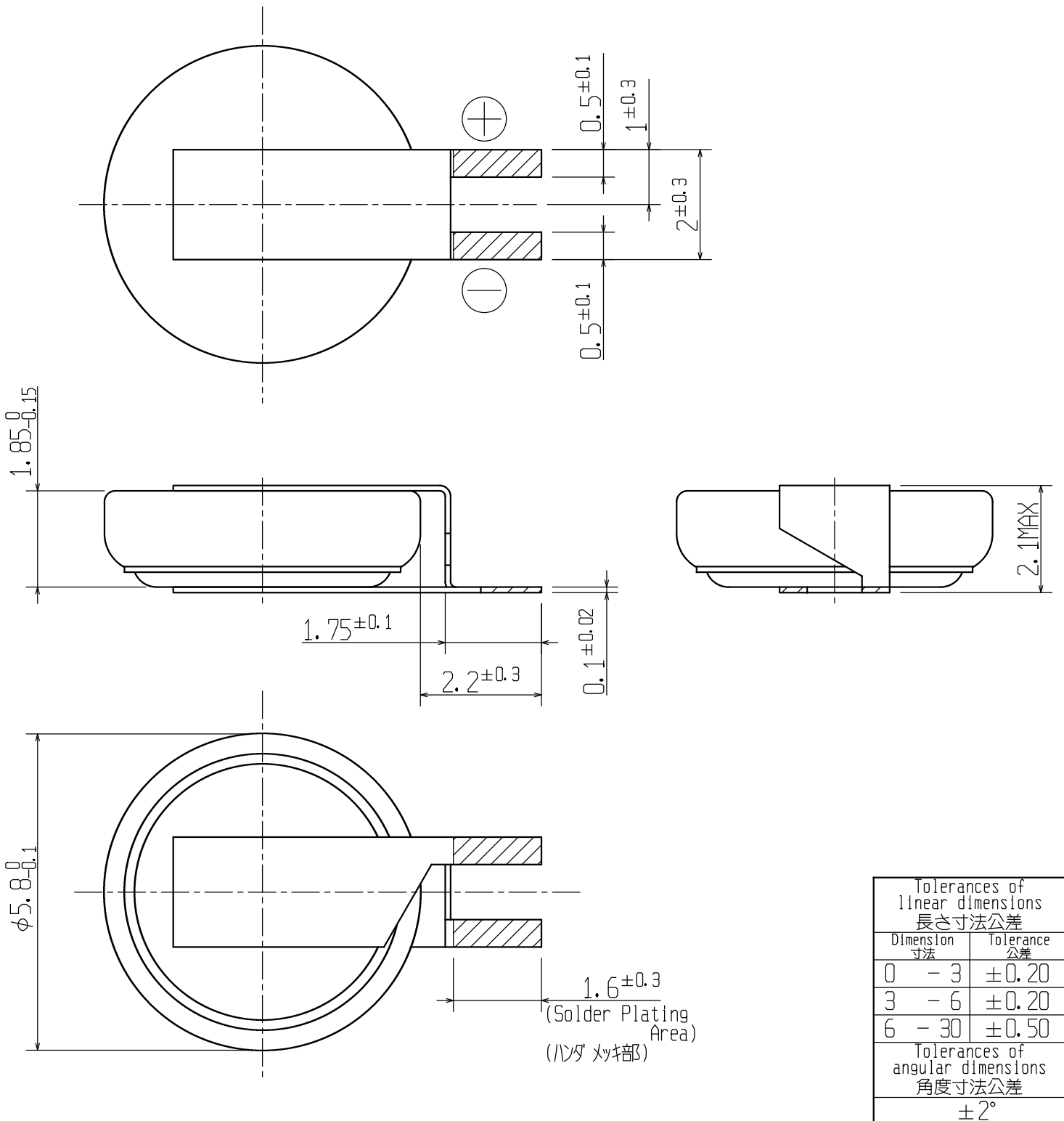
Email & Skype: info@chipsmall.com Web: www.chipsmall.com

Address: A1208, Overseas Decoration Building, #122 Zhenhua RD., Futian, Shenzhen, China



(NOTES) 1. TAB pulling strength : Over 9.8N(1.0kgf)

(注) 1. 端子引張強度 : 9.8N(1.0kgf) 以上



			File No. 文件番号	30461380-FL35E-1
			Material 材料	TAB: SUS304-Ni·P H/2
			Process 处理	: Solder plating ハンタ' ヲキ 2~4μm (Sn 100%)
			Date 日付	18. Nov. '02
E02A-068	18. Nov. '02	設定	Name 名称	Battery drawing with tabs 端子付電池図面
History 履歴	Date 日付	Reason 理由		
Approved 承認	Checked 検査	Drawn 製図	Scale 尺度	10:1
山田	冨塚	尾形	Unit 单位	1=1mm
			Rev. 改訂	1
			Cal. No. 製品番号	MS518S FL35E
			Drw. No. 図面番号	138 FL35E